

# Fitting Instructions



SKU

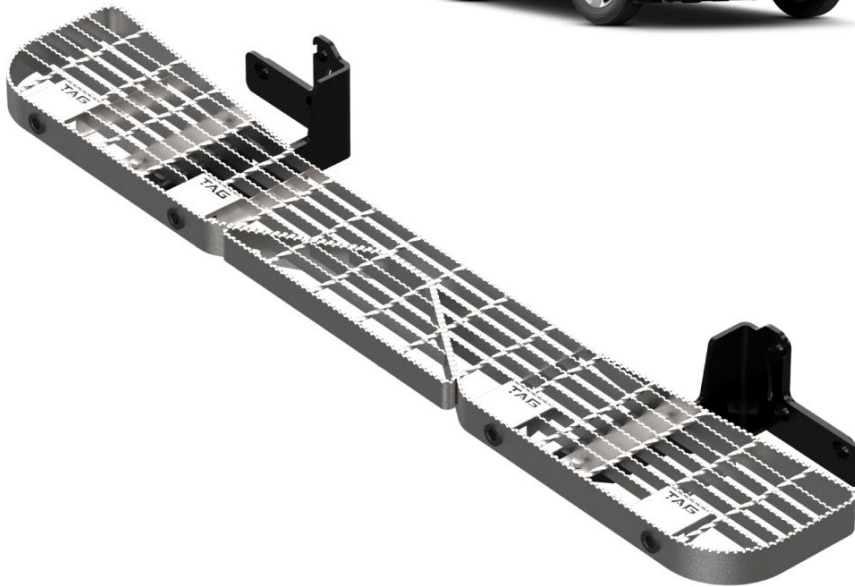
**TSF888**

PRODUCT

**TAG Rear Step Kit for Ford Transit Custom (06/2024 – on)**

SPECIFICATIONS

- Towbar Class: Rear Step
- Approx. Fitment Time: 30 Minutes



Scan for latest version of these instructions

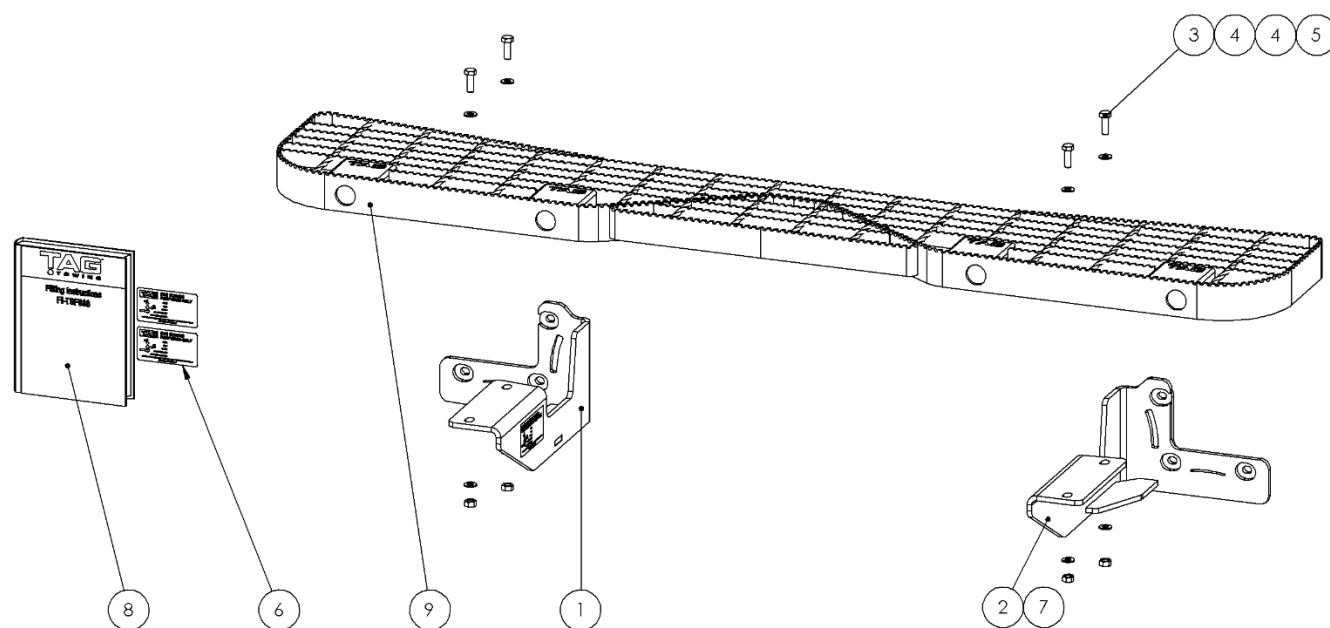
TOOLS REQUIRED

- Spanners
- Sockets
- Air Saw or similar.
- Trim Removal Tool
- Torque Wrench

IN THIS GUIDE

- Fitment Instructions
- Torque Settings
- Warranty Info

# Towbar Assembly



Item No.	Description	QTY.
1	Step Mount	1
2	Step Mount Assembly DS	1
3	M10 x 1.25 x 30 Bolt	4
4	M10 Flat Washer	8
5	M10 X 1.25 Nut	4
6	Compliance Label	3
7	TAG STICKER - 100 X 40	1
8	Fitting Instruction	1
9	TAG Non-Tow Step Assembly	1

# Important Information



## Warning:

- This product is for towing purposes only and must only be loaded as shown in your vehicle Owner's Manual.
- This towbar is NOT to be drilled, cut, welded, or modified in any way.
- Check behind chassis rail and body panels before drilling to ensure no hazards are present.
- All load ratings shown are under the assumption your trailer has a functional braking system installed.
- When installed in positions other than the one depicted in these instructions the Tow Ball Mount may interfere or obstruct certain features of your vehicle (tailgate opening, Chassis clearance, etc.)

## General:

- Before fitting this towbar read fitting instructions and check installation hardware is correct.
- Check that the towbar is suitable for the vehicle and be wary of any changes to the vehicle design that may conflict with the fitting of this towbar. (Tray, Canopy, Suspension etc.)
- After drilling, blow any filings clear, remove any burrs and treat exposed metal with a rust inhibitor.
- The high tensile fasteners supplied with this product are an integral feature to achieving the specified rating, if replacement is required ensure that fasteners of the same grade (8.8) & quality are used. Contact an authorised TAG distributor or the TAG fitment center - (07) 3208 3022 - if further information is required.

## Towbar Maintenance and Care:

It is recommended, when not in use, that the Tow Ball Mount assembly and class 4 Pin and Clip is stored inside the car away from moisture to prevent standing water from forming rust. Inspect to ensure, on regular basis, fasteners are torqued to the specifications below and in good condition.

Ensure that the fitting instructions are read and understood prior to fitment, Following the fitment place these instructions in the vehicle's glovebox after installation is completed.

*Metric Bolt Torque Settings*

Diameter	Pitch	Grade	Torque	Unit		Diameter	Pitch	Grade	Torque	Unit
M8	1.25	8.8	29	Nm		M12	1.25	10.9	125	Nm
M10	1.25	8.8	57	Nm		M12	1.50	10.9	105	Nm
M10	1.50	8.8	44	Nm		M14	1.25	10.9	195	Nm
M12	1.25	8.8	101	Nm		M14	1.50	10.9	165	Nm
M12	1.50	8.8	97	Nm		M16	1.25	10.9	295	Nm
M12	1.75	8.8	77	Nm		M16	1.50	10.9	250	Nm
M14	2.00	8.8	122	Nm		50mm Tow Ball	N/A	N/A	300	Nm
M16	2.00	8.8	190	Nm		70mm Tow Ball	N/A	N/A	750	Nm

---

## Step 1: Remove Rear Bumper Fasteners

---

**Note to installer:** Fitting of this step will inhibit the correct function of the reverse sensors. It is recommended that the provided RSM Kit be used to relocate the OEM reverse sensors onto the step & wiring extended.

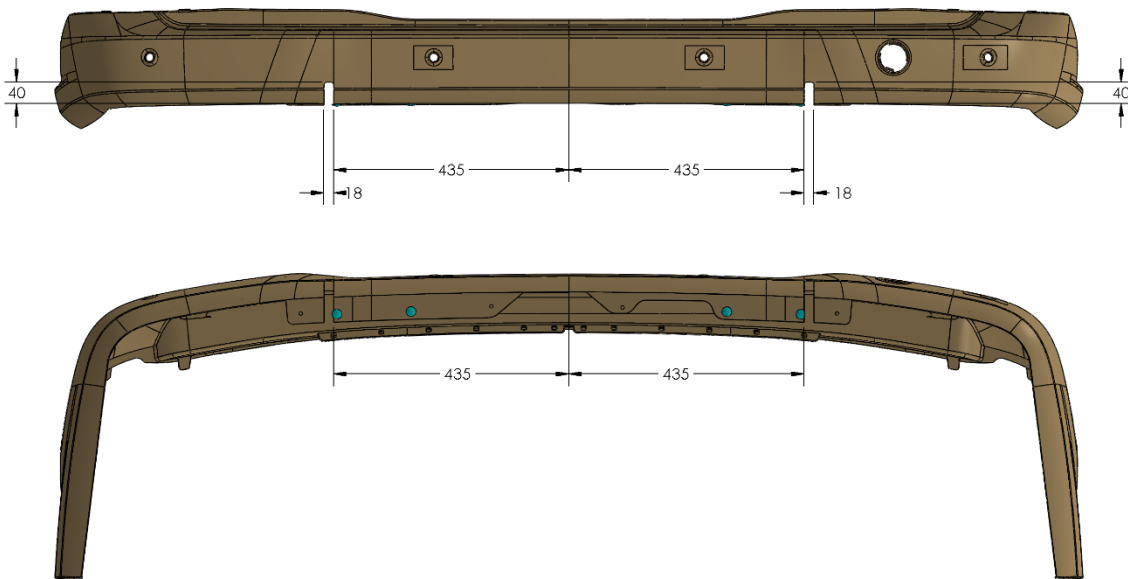
- a. Under the rear edge of the bumper remove 4x Xmas tree push-plugs fastening the bottom edge of the bumper to the plastic to 2x large, molded bumper tabs.
- b. Remove the molded bumper tabs via 1x M8 bolt per mount.
- c. Retain all fasteners.



## Step 2: Cut Bumper

**Note:** The towbar installer is ultimately responsible for the location & quality of the bumper cut. To avoid mistakes, please use the following measurements as a guide only. We suggest making small incremental cuts and regularly test fit the bumper to ensure an accurate and tidy appearance. The additional application of rubber pinch-weld around the cut edge ensures a neat & tidy look.

- Establish the centre of the bumper.
- Mark the cut-outs 435mm from centre, 18mm wide x 40mm deep from the bottom ledge of the bumper. See the diagram.
- Cut the bumper using an air hacksaw or other suitable cutting device.
- De-burr all cut edges.





---

## Step 3: Fit Step Mounts & Step.

---

- a. Loosen all the nuts (8) fastening the crash bar to the rear panel of the vehicle.
- b. Beginning on the passenger side, remove the 2x inner & 1x lowest, outer nuts from the crash bar. Keep nuts.
- c. Flex the bumper outwards to enable the PS step mount to be inserted on the inner side and under-side of the crush cans and onto the corresponding body studs.
- d. Re-use existing nuts removed in step (b) and tighten according to the torque specification on page 3.
- e. Repeat steps b-d on opposite side.
- f. The inner edges of the molded bumper tabs will require trimming prior to refitting with the original M8 bolt and xmas tree plugs.
- g. Mount the galvanized step to the step mounts and insert 4x M10x 1.25 x 30 bolts with washers from the top. Align with the bumper and fasten with M10 x 1.25 nuts with flat washers below.
- h. Tighten all bolts according to the torque specification on page 3.

---

## Step 4: Complete Towbar & Apply Spare Compliance Label

---

- a. Apply one of the compliance labels to the pillar of the driver's door. Place the remaining label and the fitting instructions in the vehicle handbook.



# TAG Warranty Statement



SWD warrants your TAG Towbar for its full product life under the following conditions:

- You can show proof of purchase.
- The towbar has been correctly installed by a suitably qualified installer.
- The towbar has not been modified or abused in any way and has only been used for the purpose intended.
- The towbar was not fitted second hand to your vehicle.

The extent of this warranty includes materials and workmanship used in the manufacture of the towbar and is to the equivalent value of current, full replacement cost.

Nothing stated or implied in this warranty limits in any way, the statutory rights that you may have.

To make a claim visit the original installer in the first instance or, if you are unable to or are not satisfied with their help, then contact us direct by phone on 1300 669122 or visit [www.swd.com.au](http://www.swd.com.au).