

Fitting Instructions



SKU

T7P724

PRODUCT

**TAG Heavy Duty Towbar
for Renault Master Van – (09/2011
- ON)**

SPECIFICATIONS

- Towbar Class: CL 4 Heavy Duty
- Towing Capacity: 2500kg
- Tow ball Weight: 200kg
- Approx. Fitment Time: 60 Minutes



Scan for latest
version of these
instructions

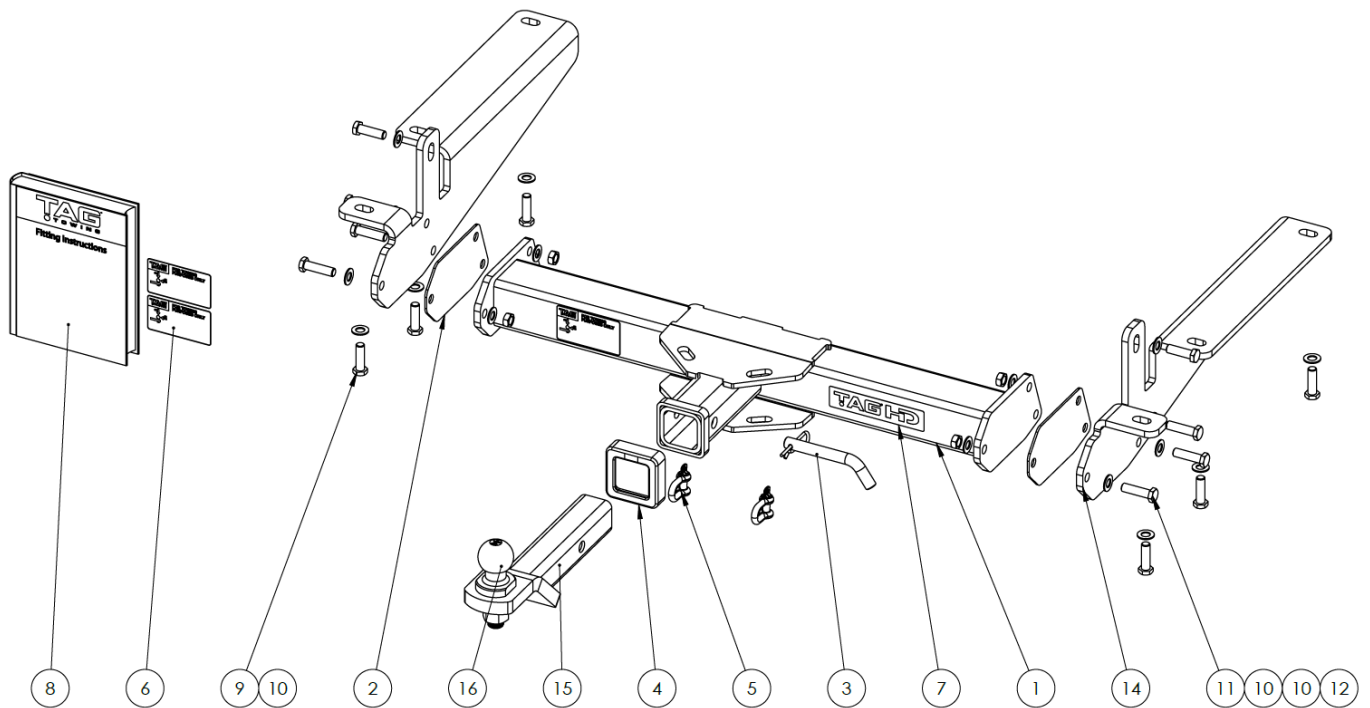
TOOLS REQUIRED

- Spanners
- Sockets
- Air Saw or similar.
- Trim Removal Tool
- Torque Wrench

IN THIS GUIDE

- Fitment Instructions
- Torque Settings
- Warranty Info

Towbar Assembly



ITEM NO.	DESCRIPTION	QTY.	ITEM NO.	DESCRIPTION	QTY.
1	Welded Assembly for T7P724	1	9	M12 x 1.75 x 40 Bolt	8
2	Spacer 3mm T7P724	2	10	M12 Flat Washer Zinc Clear	20
3	Class 4 Pin & Clip	1	11	M12 x 1.25 x 45 Bolt	6
4	TAG Hitch Receiver Cover	1	12	M12 x 1.25 Nut	6
5	TAG D-Shackle - 10mm 1000kg	2	13	End Plate PS	1
6	TAG Compliance plate	3	14	End Plate DS	1
7	TAG HD Sticker 150 x 33mm	1	15	L4045 Ball Mount	1
8	Fitting Instruction - T7P724	1	16	50mm TAG Tow Ball - Chrome	1

Important Information



Warning:

- This product is for towing purposes only and must only be loaded as shown in your vehicle Owner's Manual.
- This towbar is NOT to be drilled, cut, welded, or modified in any way.
- Check behind chassis rail and body panels before drilling to ensure no hazards are present.
- All load ratings shown are under the assumption your trailer has a functional braking system installed.
- When installed in positions other than the one depicted in these instructions the Tow Ball Mount may interfere or obstruct certain features of your vehicle (tailgate opening, Chassis clearance, etc.)

General:

- Before fitting this towbar read fitting instructions and check installation hardware is correct.
- Check that the towbar is suitable for the vehicle and be wary of any changes to the vehicle design that may conflict with the fitting of this towbar. (Tray, Canopy, Suspension etc.)
- After drilling, blow any filings clear, remove any burrs and treat exposed metal with a rust inhibitor.
- The high tensile fasteners supplied with this product are an integral feature to achieving the specified rating, if replacement is required ensure that fasteners of the same grade (8.8) & quality are used. Contact an authorised TAG distributor or the TAG fitment center - (07) 3208 3022 - if further information is required.

Towbar Maintenance and Care:

It is recommended, when not in use, the Tow Ball Mount assembly and class 4 Pin and Clip is stored inside the car away from moisture to prevent standing water from forming rust. Inspect to ensure, on regular basis, fasteners are torqued to the specifications below and in good condition.

Ensure that the fitting instructions are read and understood prior to fitment
Place these instructions in the vehicle's glovebox after installation is completed.

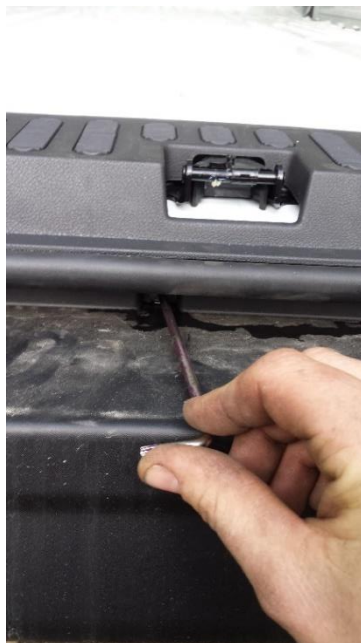
<i>Metric Bolt Torque Settings</i>										
Diameter	Pitch	Grade	Torque	Unit	Diameter	Pitch	Grade	Torque	Unit	
M8	1.25	8.8	29	Nm	M12	1.50	8.8	97	Nm	
M10	1.25	8.8	57	Nm	M12	1.75	8.8	77	Nm	
M10	1.50	8.8	44	Nm	M14	2.00	8.8	122	Nm	
M12	1.25	8.8	101	Nm	M16	2.00	8.8	190	Nm	

Installation Instructions



Step 1: Remove Tow Hook & Center Bumper Cover

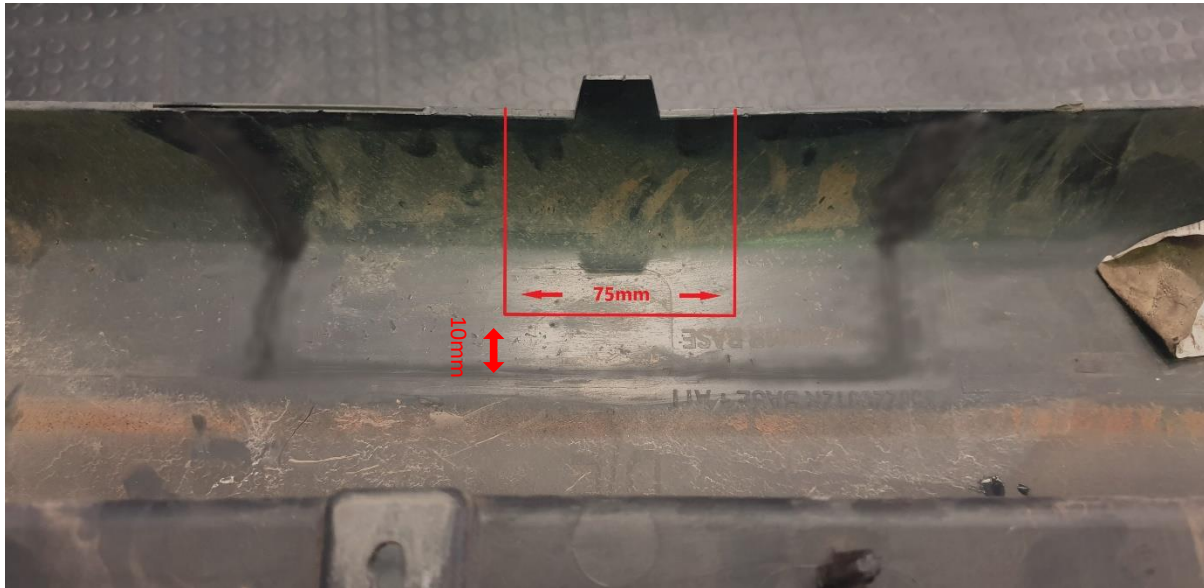
- Remove the factory towing/shipping hook from the PS Chassis if fitted via 4 M12 bolts. Discard tow hook & bolts.
- Open rear doors.
- Remove Torx head bolts securing bumper cover to body around rubber seal.
- Remove plastic scrivenets from bumper cover near rear wheel arch.
- Gently pull the outer cover outwards.
- Unclip the bottom of the center bumper cover & unplug both (2) reverse sensor harnesses.



Step 2: Cut Bumper

Note: The towbar installer is ultimately responsible for the location & quality of the bumper cut. To avoid mistakes, please use the following measurements as a guide only. We suggest making small incremental cuts and regularly test fit the bumper to ensure an accurate and tidy appearance. The additional application of rubber pinch-weld around the cut edge ensures a neat & tidy look.

- a. Cut the bumper bar 37.25mm either side of the centreline of the bumper (75mm total) and 10mm from the factory indent as shown in the photo .
- b. Fit pinch-weld to the cut out.



Step 3: Fit Towbar

- a. Bolt the end plates up to the chassis using the M12x 1.75x 40 bolts with flat & shake proof washers. Leave loose.
- b. Bolt the main bar to the endplates with the M12x 1.25x 45 bolts & flat washers.
- c. Tighten the bolts fastening the endplates to the chassis.
- d. If there is more than approx. 3mm clearance between the parts on each side, then spacers will be required.
- e. If the clearance is less than this, spacers will not be required between the parts.
- f. Refit the bumper bar in reverse of step 1 (a-f).
- g. Fit ball mount, pin & clip & D-shackles.
- h. Apply extra load rating label to inner DS door pillar & one other to the vehicle owner's handbook.

Step 4: Apply Compliance Label

Apply one of the compliance labels to the pillar of the driver's door. Leave the remaining label and the fitting instructions in the vehicle handbook.



TAG Warranty Statement



SWD warrants your TAG Towbar for its full product life under the following conditions:

- You can show proof of purchase.
- The towbar has been correctly installed by a suitably qualified installer.
- The towbar has not been modified or abused in any way and has only been used for the purpose intended.
- The towbar was not fitted second hand to your vehicle.

The extent of this warranty includes materials and workmanship used in the manufacture of the towbar and is to the equivalent value of current, full replacement cost.

Nothing stated or implied in this warranty limits in any way, the statutory rights that you may have.

To make a claim visit the original installer in the first instance or, if you are unable to or are not satisfied with their help, then contact us direct by phone on 1300 669122 or visit www.swd.com.au.