



Towbar Fitting Instructions  
 To Suit **RENAULT MEGANE WAGON 06/2013 ONWARD**  
 Part Number **RE16L**  
 Rating **1300/75 kg**

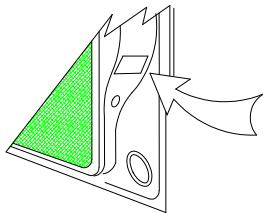
PLACE THESE INSTRUCTIONS IN THE VEHICLE'S GLOVEBOX AFTER INSTALLATION IS COMPLETED

**WARNING:**

1. Do not, drill, cut, weld or otherwise modify the tow bar.
2. If you are using electric welding on a motor vehicle, **always** check that the vehicle is not equipped with electronic engine or instrument management equipment. Failure to do so could **destroy** any onboard computers. If in doubt, check with the vehicle's manufacturer.
3. The high tensile fasteners supplied with this product were used to achieve the specified rating. If replacement is required ensure that fasteners of the same rating & quality are used. Contact an authorised **Trailboss** dealer if further information is required.
4. If TBM is used in inverted position tow ball may make contact with rear tailgate when lowered, which could cause damage.

**General:**

1. Ensure all hardware items have been included refer to assembly diagram.
2. It is recommended that the instructions are read through and completely understood before making any attempt to fit this product.
3. Be wary of any changes to vehicle designs or other accessories that may conflict with the installation of this product.
4. Before drilling ensure that the area is clear of fuel, electrical & other components.
5. All holes drilled into the body panels shall have all burrs & swarf removed then coated with a suitable rust preventative paint.
6. For vehicles that require the bumper to be cut. Ensure cut out area is in correct position on the vehicle prior to cutting the bumper.
7. The high tensile fasteners supplied with this product were used to achieve the specified rating. If replacement is required ensure that fasteners of the same rating & quality are used. Contact an authorized **Trailboss** dealer if further information is required.
8. Ensure that all hardware is fastened to torque list below check fasteners on regular basis.
9. Tow bar load rating sticker provided with this product shall be conspicuously located on inside rear end of the driver's door. **(See diagram below).**
10. Trailboss recommends that you check your tow ball to ensure that it complies with the Australian standards **AS 4177.2**.
11. **PLEASE NOTE:** It is advised to remove your lug or tbm when not actually towing so as to produce a clear view of the vehicles registration plate if obscured, and to also provide maximum available departure angle
12. Pull Pin must be fit in down position.



Place load rating sticker inside driver's door here

**FOR TRAILER TOWING PURPOSES ONLY**  
 For towing capacity details please refer to vehicle owner's manual or to the manufacturer. Overloading can void your warranties.

**RECOMMENDED ASSEMBLY TORQUE LISTING**

Diameter	Grade 8.8 Bolt
M6	9.5 Nm
M8	21.7 Nm
M10	43.4 Nm
M12	77.3Nm
M14	146 Nm
M16	189.8 Nm

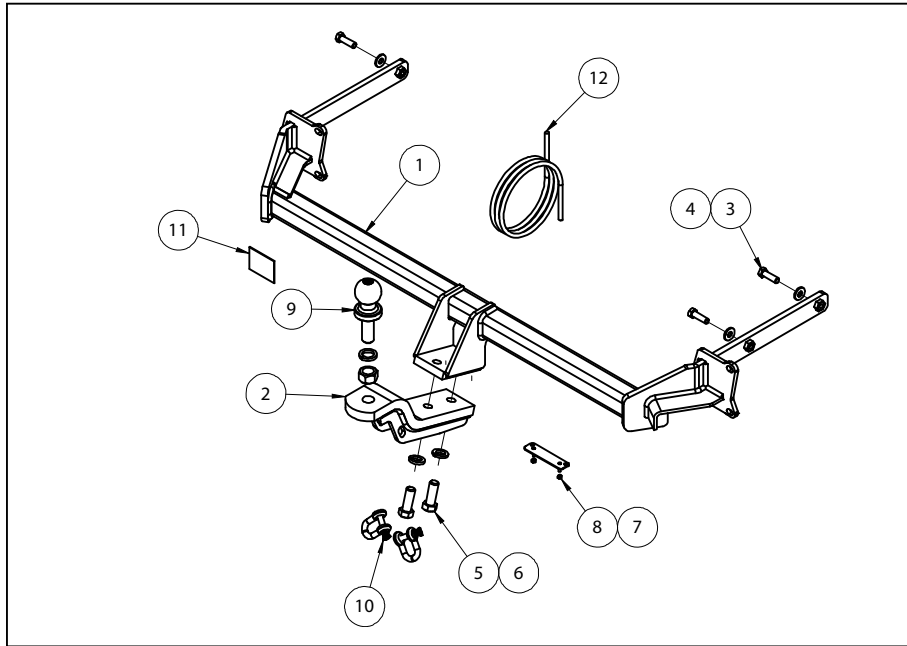
**Tow bar Maintenance and Care.**

Trailboss recommends that bolt torque's, as listed below, are routinely and regularly inspected and checked for correct tension. Replace any worn or defective parts.  
 We recommended to remove Tow Ball Mounts (TBM's, tongues or lugs) when not being used for any considerable length of time.  
 So as to avoid injury, when not towing it is suggested that the tongue, Pull Pin and R-clip are removed then stored in a safe, clean and dry place, away from excessive moisture.  
 Hitch Pull Pins and spring "R" clips are regularly checked for proper installation. Replace any worn or defective parts.

# TRAILBOSS

Towbar Fitting Instructions  
To Suit **RENAULT MEGANE WAGON 06/2013 ONWARD**  
Part Number **RE16L**  
Rating **1300/75 kg**

PLACE THESE INSTRUCTIONS IN THE VEHICLE'S GLOVEBOX AFTER INSTALLATION IS COMPLETED



QTY.	DESCRIPTION	ITEM NO.
1	RENAULT MEGANE TB WELDED ASSY	1
1	TONGUE ASSEMBLY	2
3	SET SCREW M10-1.5x35mm	3
3	WASHER FT M10x25.4x3	4
2	SPRING WASHER M16x5x3.5	5
2	BOLT M16x45 2.0P	6
1	PLUG BRACKET	7
2	NUT NYLOC M4-0.7 Z/P	8
1	50mm TOWBALL	9
2	10mm "D" SHACKLE	10
1	ACRYLIC CP	11
1	WIRING LOOM	12



Towbar Fitting Instructions  
To Suit **RENAULT MEGANE WAGON 06/2013 ONWARD**  
Part Number **RE16L**  
Rating **1300/75 kg**

PLACE THESE INSTRUCTIONS IN THE VEHICLE'S GLOVEBOX AFTER INSTALLATION IS COMPLETED

**INSTRUCTION:**

1. Remove floor and trim from within boot of vehicle.
2. Remove boot trim side panel and open boot trim rear tab to expose 2x knobs securing tail light assembly. Remove both knobs. Repeat for opposite side of the vehicle.
3. Remove and disconnect both tail light assemblies.
4. Remove 3x Screws from underside of bumper securing bumper tabs.
5. Remove 2x Screws from underside of bumper, rear of rear wheel arch. Repeat for opposite side of the vehicle.
6. Remove 2x Screws from within rear wheel arch. Repeat for opposite side of the vehicle.
7. Remove Screw within rear wheel arch, securing rear bumper to bodywork. Repeat for opposite side of the vehicle.
8. Carefully unclip and remove rear bumper. Disconnect rear parking sensor loom, where applicable.
9. Remove and retain 6x Flanged Nuts securing rear impact beam to rear panel. Remove and discard rear impact beam.
10. Make a cut in the rear panel as per cut template on page 4 of this document. Use this template for both sides of the vehicle.

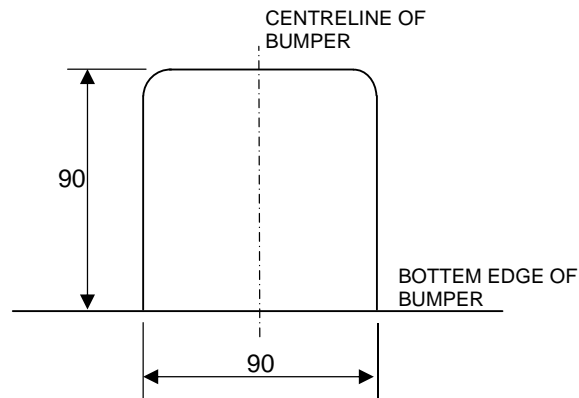
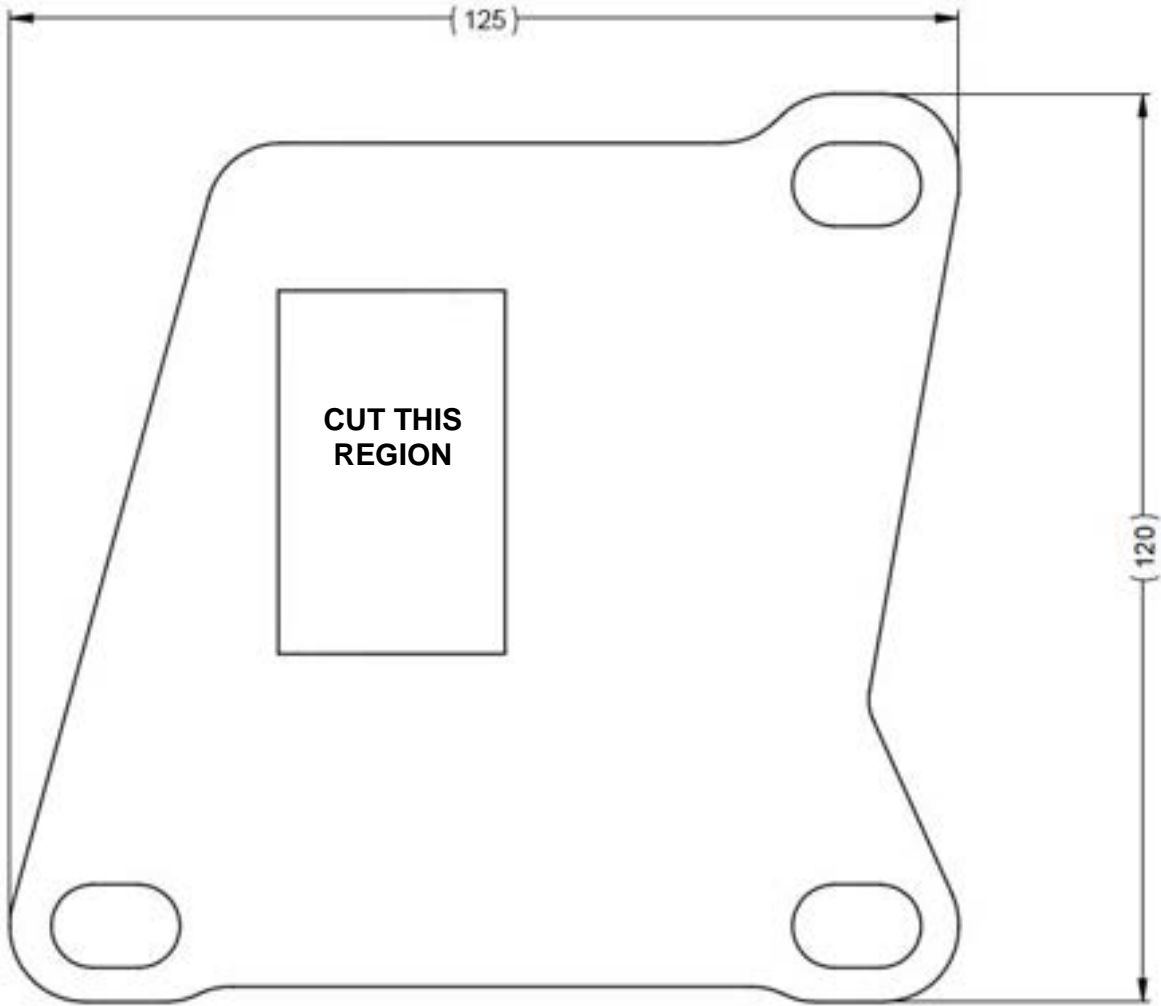
**Note: Check scale before making cut. Check that no lip is remaining at entry to chassis rail.**

11. Loosen Screw located below mounting point of rear panel. Repeat for opposite side of the vehicle.
12. Offer Towbar to vehicle, and loosely secure to rear panel studs using the 6x Flanged Nuts removed in step 9.
13. Remove vent cover from rear LHS of vehicle.
14. Through the vent opening, loosely secure LH side arm of Towbar to chassis rail using 1x M10x35 set screw, complete with 1x M10 Flat Washer.
15. Loosely secure RH side arm of Towbar to chassis rail using 2x M10x35 Set Screws, complete with 1x M10 Flat Washer per Bolt.
16. Tighten the 3x M10 Set Screws and Flanged Nuts as per torques specified on page 1.
17. Identify centre of Bumper bar and make cutout as per diagram.
18. Remove Bumper tab located in centre of rear Bumper.
19. Mark out and drill 2x  $\varnothing$ 5mm holes 69mm apart on Bumper skin to support plug bracket. Feed bracket threads through drilled holes prior to reinstalling Bumper.
20. Reinstall the Bumper following steps 1 to 8, 11 and 13 in reverse order.



Towbar Fitting Instructions  
To Suit **RENAULT MEGANE WAGON 06/2013 ONWARD**  
Part Number **RE16L**  
Rating **1300/75 kg**

PLACE THESE INSTRUCTIONS IN THE VEHICLE'S GLOVEBOX AFTER INSTALLATION IS COMPLETED





Wiring Loom Fitting Instructions  
To Suit Renault Megane Hatch / Wagon  
Part Number 100973-WL

## Wiring Loom Installation Instructions

Renault Megane Hatch / Wagon  
Part No: 100973-WL

ECU Required: 04829  
Tail Harness Length Required: 1800mm  
RPA Override Switch Part No: 04848 (If Fitted)

Wiring Loom Installation Time: Approx 45 Mins

## Wiring Loom Fitting Instructions To Suit Renault Megane Hatch / Wagon Part Number 100973-WL

1. On the rear of the vehicle, remove the rear parcel shelf and floor carpet cover.
2. Behind the rear passenger seats on the floor carpet, remove the two large flat round clips.
3. Remove the luggage compartment rear tailgate trim.
4. Remove the LHS luggage compartment trim, by removing the following fasteners: (lower section) screw x1, bolts x2, (mid rear) clip x1 and (upper front) screw x1. Repeat for the RHS.
5. In the rear passenger cabin, remove the LHS rear passenger scuff trim.
6. Dislodge the LHS 'B' pillar trim.
7. In the front passenger cabin, remove the LHS front passenger scuff trim and kick panel.
8. In the glove compartment, remove the fuse panel cover.
9. Inside the luggage compartment rear LHS rear quarter panel, drill a Ø30mm hole (1). File down any rough edges and spray with rust inhibitor.



10. From inside the luggage compartment, locate the LHS tail light harness.
11. Following the table below, connect the ezy tap to the corresponding vehicle tail light wire and then connect the trailer harness wire terminal to the ezy tap. **Note: Test the vehicle WHITE wires first to confirm functions.**

Function	Trailer Patch	Vehicle Harness
L.IND	YELLOW / BLACK	PINK
REVERSE	BLACK / WHITE	WHITE
TAIL	BROWN / BLACK	BLUE
BRAKES	RED / BLACK	WHITE

## Wiring Loom Fitting Instructions To Suit Renault Megane Hatch / Wagon Part Number 100973-WL

12. Secure the trailer patch ring terminal to the vehicle grounding point located just below the vehicle ECU on the wheel arch.
13. Inside the luggage compartment access panel, apply double sided tape to the supplied ECU (1) and secure it to the vehicle sheet metal in the area shown. Connect the trailer patch 12-way connector (2) to the supplied ECU (1). **Note: Ensure ECU connector is facing downwards.**



14. Route the trailer patch towards the RHS of the vehicle.
15. On the RHS of the luggage compartment, following the table below, connect the ezy-tap to the vehicle harness PINK wire and then connect the trailer patch GREEN / BLACK wire terminal to the ezy-tap.

Function	Trailer Patch	Vehicle Harness
R.IND	GREEN / BLACK	PINK

16. Route the trailer patch ORANGE power wire along the vehicle harness towards the front of the vehicle, past the 'B' pillar trim and all the way to the glove box area.
17. Inside the fuse panel, locate and remove the 20-amp fuse (1) from the location shown. Insert the supplied 20-amp fuse into the upper slot of the add-a-fuse (3). Insert the previously removed 20-amp fuse (1) into the bottom slot of the add-a-fuse (3). Connect the add-a-fuse into the vacant slot of the fuse panel. Connect the power patch 1-way connector into the add-a-fuse mating connector (5).



18. Mount the trailer socket to the towbar mounting bracket using M4 fasteners (not supplied).



Wiring Loom Fitting Instructions  
To Suit Renault Megane Hatch / Wagon  
Part Number 100973-WL

19. Route the tail harness across the towbar towards the LHS of the vehicle and up through the previously drilled out hole.
20. Ensure the tail harness grommet is seated correctly and secure in place using a cable tie (not supplied).
21. Connect the tail harness (tail length 1800mm) 8-way connector to the trailer patch mating 8-way connector.
22. Test the Trailer Harness function using a Light Board or multimeter.
23. Secure all Harnesses using cables ties (not supplied).
24. Re-fit all removed parts and secure all fasteners, ensuring there are no squeaks or rattles.
25. Place the instructions in the glove box after fitment.