



Towbar Fitting Instructions
To Suit SUBARU MY04 OUTBACK LIBERTY WAGON & SEDAN
Part Number QTSB310L
Rating 1800Kg

SUBARU OUT BACK	2.5Ltr
Max Tow Weight	1500 Kg
Max Ball load with load levrling hitch	150 Kg
SUBARU OUT BACK	3Ltr
Max Tow Weight	1800 Kg
Max Ball load with load levrling hitch	180 Kg

SUBARU LIBERTY SEDAN	2 Ltr
Max Tow Weight	1300 Kg
Max Ball load with load levrling hitch	130 Kg
SUBARU LIBERTY SEDAN	2.5Ltr
Max Tow Weight	1500 Kg
Max Ball load with load levrling hitch	150 Kg

SUBARU LIBERTY WAGON	2 Ltr
Max Tow Weight	1300 Kg
Max Ball load with load levrling hitch	130 Kg
SUBARU LIBERTY WAGON	2.5Ltr
Max Tow Weight	1500 Kg
Max Ball load with load levrling hitch	150 Kg

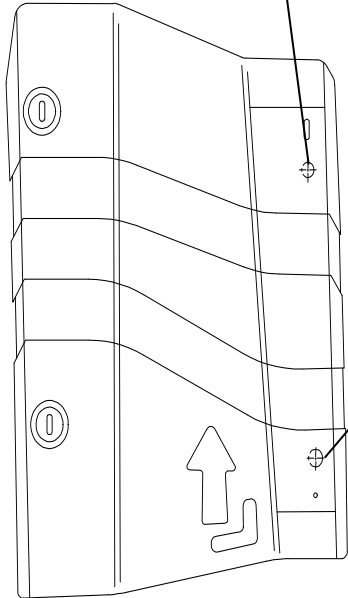
1. Ensure all hardware items have been included.
2. Remove rear bumper cover as per workshop manual.
3. Remove impact beam, retaining beam and 6 x M8 nuts.
4. Remove and discard the impact beam mounting brackets and nuts leaving the bumper cover support plate in place.
5. Remove rear mufflers.
6. Remove rear muffler heat shields.
7. Fit towbar to vehicle so as studs in vertical plane align with rear mounting plates of towbar and fit 6 M8 whizz nuts supplied.
8. Fit M10 bolts, spring washers and flat washers to reinforcement arms through chassis rails from under vehicle.
9. Refit impact beam with 6 x M8 nuts.
10. Cut heat shield, Ø19 hole saw. **See diagram**
11. Refit muffler heat shields.
12. Refit rear mufflers.
13. Cut bumper, **See diagram.**
14. Cut 5mm from the end of the lower bumper trim clip center pin to ease fitting of clips **(LIBERTY SEDAN ONLY)**
15. Refit bumper cover as per workshop manual.

RECOMMENDED ASSEMBLY TORQUE LISTING

<u>Diameter</u>	<u>Grade 8.8 Bolt</u>
	Nm
M6	9.5
M8	21.7
M10	43.4
M12	77.3
M14	121.0
M16	189.8

Towbar Fitting Instructions
 To Suit SUBARU MY04 OUTBACK LIBERTY WAGON & SEDAN
 Part Number QTSB310L
 Rating 1800Kg

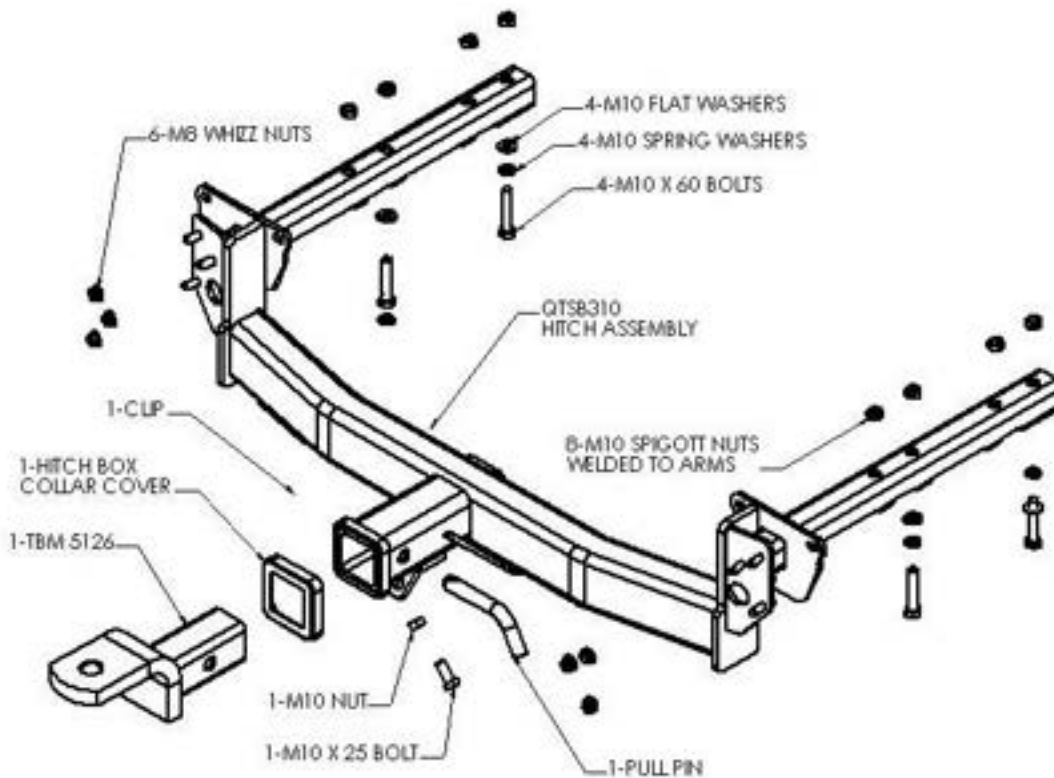
CENTRE POP MARK
 OPEN HOLE TO 19mm



ANTI MOVEMENT

The anti movement bolt and lock nut is for the purpose of stopping trailer ballmount movement, located on the inside of the hitch box section. After fitting trailer ballmount, pin and clip tighten anti movement bolt onto trailer ballmount and lock with nut securely.

CENTRE POP MARK
 OPEN TO HOLE TO 19mm



Towbar Fitting Instructions
To Suit SUBARU MY04 OUTBACK LIBERTY WAGON & SEDAN
Part Number QTSB310L
Rating 1800Kg

FIG 1
SUBARU LIBERTY SEDAN
BUMPER CUT DRAWING

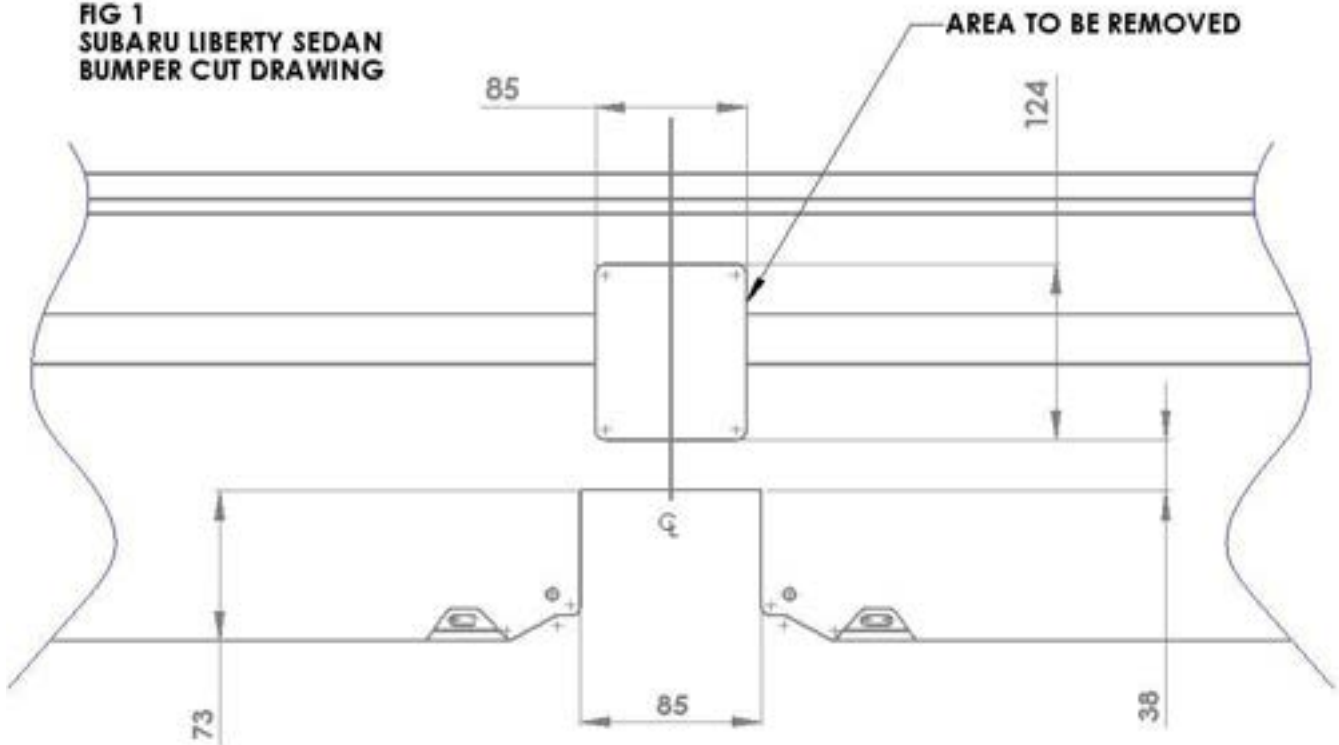
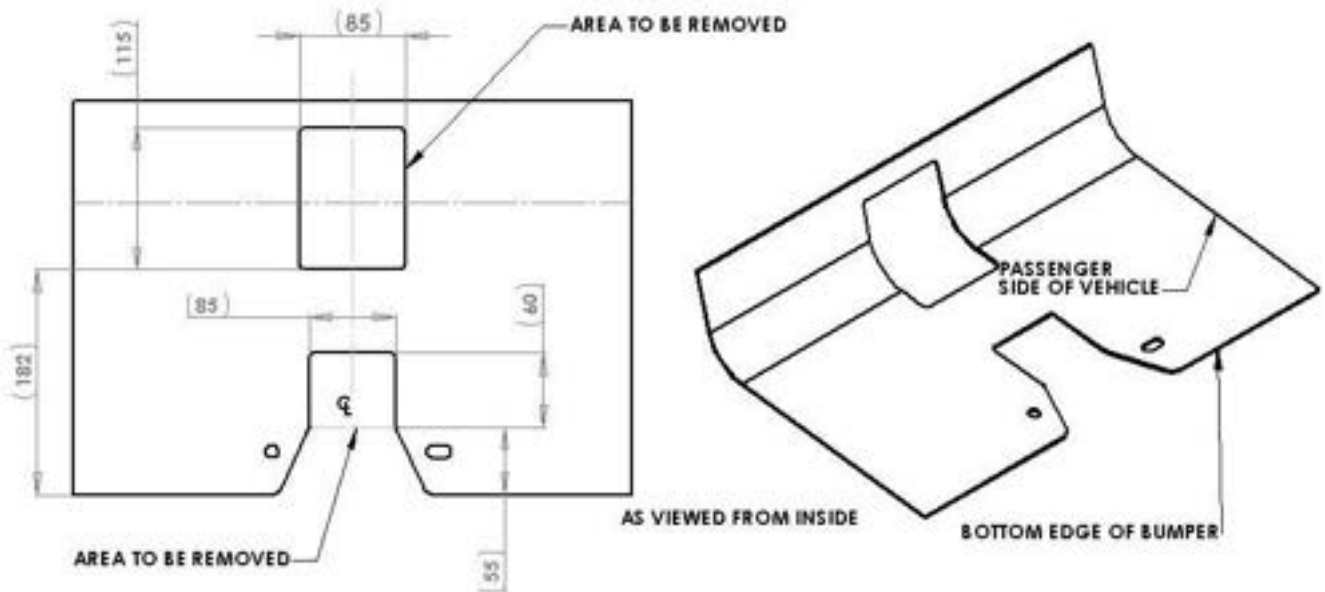
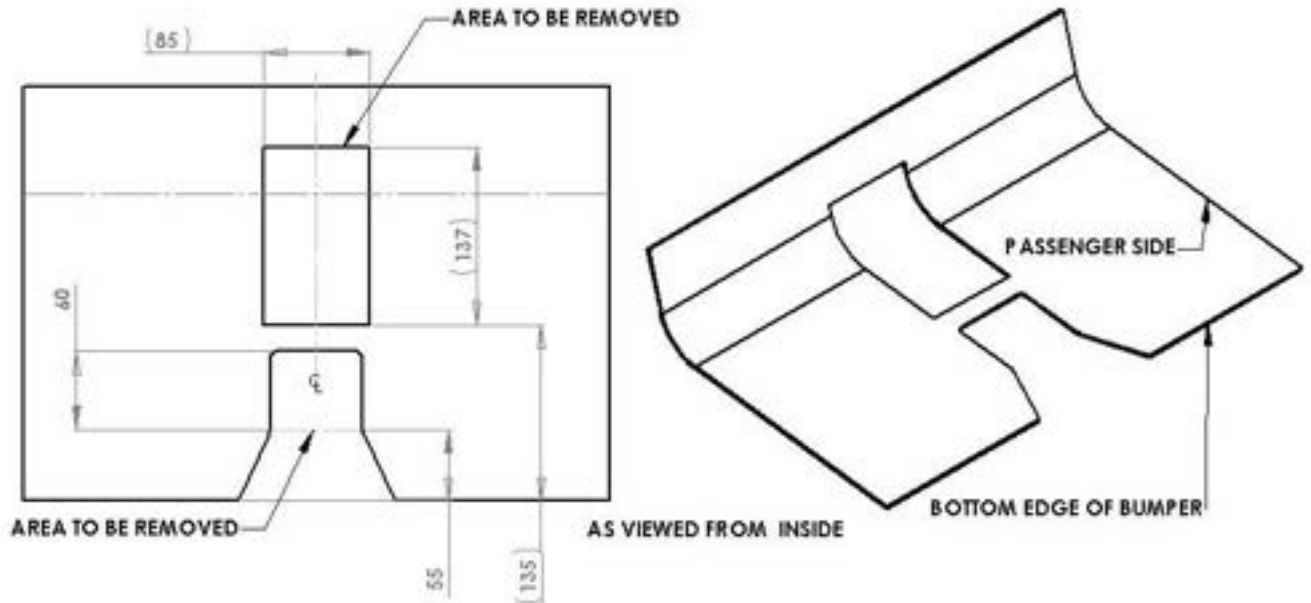


FIG 2
SUBARU OUTBACK
BUMPER CUT DRAWING



Towbar Fitting Instructions
To Suit SUBARU MY04 OUTBACK LIBERTY WAGON & SEDAN
Part Number QTSB310L
Rating 1800Kg

FIG 3
SUBARU LIBERTY WAGON
BUMPER CUT DRAWING





Wiring Loom Fitting Instructions
To Suit Subaru Liberty - Outback - Sedan MY04
Part Number 100163-WL

Wiring Loom Installation Instructions

**Subaru Liberty - Outback - Sedan MY04
Part No: 100163-WL**

**Tail Harness Length Required: 1800mm
RPA Override Switch Part No: 04848 (If Fitted)**

Wiring Loom Installation Time: Approx 20 Mins



Wiring Loom Fitting Instructions
To Suit Subaru Liberty - Outback - Sedan MY04
Part Number 100163-WL

1. Remove the rear passenger seat and all the required trims to gain access to the RHS rear quarter area of the vehicle.
2. Remove the RHS luggage compartment grommet located in between the rear wheel arch and the vent. Using a step drill, drill out the grommet hole to Ø31mm. File down any rough edges and then spray with rust inhibitor.
3. Disconnect the vehicle 10-way reverse connector located on the 'D' pillar and locate the 10-way female trailer breakout connector.
4. Patch the Trailer Patch Harness (P/No: 100163-WL) in between the 10-way male and female reverse connector and the 10-way male trailer break out connector.
5. From outside of the vehicle, secure the Tail Harness (tail length 1800mm) socket onto the towbar mounting bracket using M4 fasteners. Route the Tail harness along the towbar towards the drilled out grommet hole. Secure the harness to the vehicle with cable ties (not supplied).
6. Route the tail harness (tail length: 1800mm) through the drilled out grommet hole.
7. Adjust the harness grommet to the proper length ensuring it is seated correctly into the grommet hole. Then secure grommet with a cable tie (not supplied).
8. Connect the Tail Harness 8-way male connector to the Trailer Patch 8-way female connector.
9. Test the Trailer Harness function using trailer light board or multimeter.
10. Secure all harnesses to the vehicle using cable ties (not supplied).
11. Refit all removed parts and secure all fasteners.
12. Please place the fitting instructions in the glove box after installation.