

TRAILBOSS

Towbar Fitting Instructions
To Suit HOLDEN VE UTILITY 10 - 2007 On
Part Number QTHD515L
Rating 1600Kg

INSTALLATION INSTRUCTIONS

PLEASE ENSURE THAT INSTRUCTIONS ARE UNDERSTOOD PRIOR TO FITMENT



Installation Time: Approx 90 Mins

Towbar Installation Instructions

Towbar Capacity

HOLDEN VE UTILITY 10 - 2007 On

Part Number QTHD515L

Max Towing Braked 1600kg

Max Towing Unbraked 750kg

Max Static Ball Load 160kg

TRAILBOSS

Towbar Fitting Instructions To Suit HOLDEN VE UTILITY 10 - 2007 On Part Number QTHD515L Rating 1600Kg

Warning:

Do not, drill, cut, weld or otherwise modify the towbar.

If you are using electric welding on a motor vehicle, **always** check that the vehicle is not equipped with electronic engine or instrument management equipment. Failure to do so could **destroy** any onboard computers. If in doubt, check with the vehicle's manufacturer.

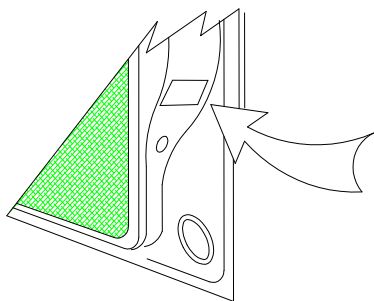
1. **General:** Ensure all hardware items have been included refer to assembly diagram.
2. It is recommended that the instructions are read through and completely understood before making any attempt to fit this product.
3. Be wary of any changes to vehicle designs or other accessories that may conflict with the installation of this product.
4. Before drilling ensure that the area is clear of fuel, electrical & other components.
5. All holes drilled into the body panels shall have all burrs & swarf removed then coated with a suitable rust preventative paint.
6. The high tensile fasteners supplied with this product were used to achieve the specified rating. If replacement is required ensure that fasteners of the same rating & quality are used. Contact an authorised **Trailboss** dealer if further information is required.
7. Ensure that all hardware is fastened to torque list below check fasteners on regular basis.
8. Towbar load rating sticker provided with this product shall be conspicuously located on inside rear end of the driver's door. **(See diagram below).**
9. **Trailboss** recommends that you check your tow ball to ensure that it complies with the Australian standards **AS 4177.2**.
10. **PLEASE NOTE:** It is advised to remove your lug or tbn when not actually towing so as to produce a clear view of the vehicles registration plate if obscured, and to also provide maximum available departure angle.
11. Pull Pin must be fit in down position.

Tow bar Maintenance and Care.

Trailboss recommends that bolt torque's, as listed below, are routinely and regularly inspected and checked for correct tension. Replace any worn or defective parts.

We recommended to remove Tow Ball Mounts (TBM's, tongues or lugs) when not being used for any considerable length of time. So as to avoid injury, when not towing it is suggested that the tongue, Pull Pin and R-clip are removed then stored in a safe, clean and dry place, away from excessive moisture.

Hitch Pull Pins and spring "R" clips are regularly checked for proper installation. Replace any worn or defective parts.



**Place load rating sticker
inside driver's door here**

FOR TOWING PURPOSES ONLY

For towing capacity details please refer to vehicle owner's manual or to the manufacturer. Overloading can void your warranties.

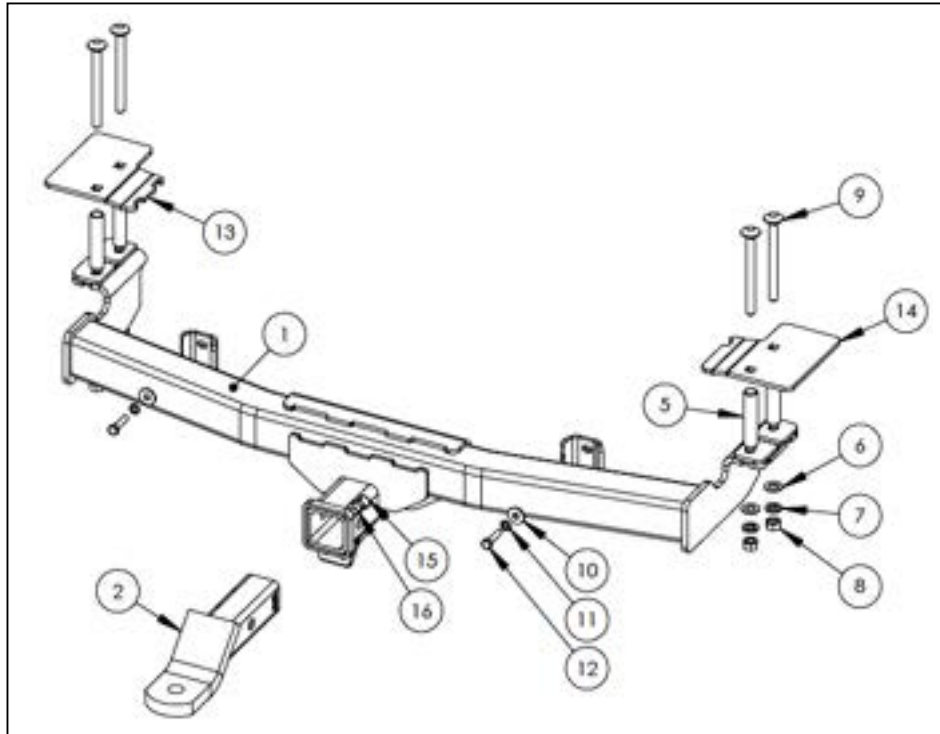
RECOMMENDED ASSEMBLY TORQUE

LISTING

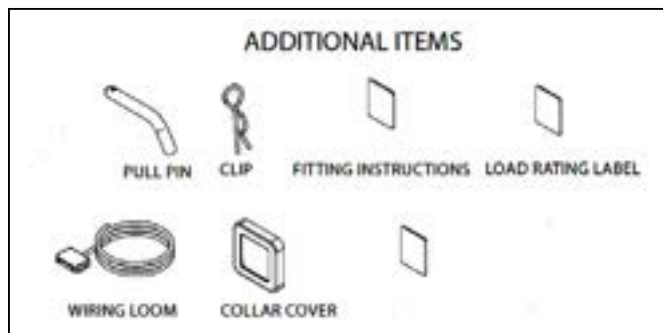
Diameter	Grade 8.8 Bolt	
M6		9.5 Nm
M8		21.7 Nm
M10		43.4 Nm
M12		77.3 Nm
M14		146 Nm
M16		189.8 Nm

TRAILBOSS

Towbar Fitting Instructions
 To Suit HOLDEN VE UTILITY 10 - 2007 On
 Part Number QTHD515L
 Rating 1600Kg



QTY.	DESCRIPTION	ITEM NO.
1	WELDED ASSEMBLY	1
1	T.B.MOUNT 21161	2
1	ASSEMBLY BOLT PACK	3
1	PLASTIC SHEET BAG	4
4	SPACER TUBE	5
4	WASHER FLAT M14 X 28 X 3	6
4	SPRING WASHER 12X4X2.5	7
4	M12 x 1.75P NUT	8
4	M12 X 130 X 8.8 COACH BOLT	9
2	M8 X 19.5 X 1.6 WASHER	10
2	M8 SPRING WASHER	11
2	M8 X30 BOLT	12
1	BOOT MOUNT PASSENGER SIDE	13
1	BOOT MOUNT DRIVER SIDE	14
1	M10 x 25 1.5P BOLT	15
1	NUT M10 x 1.5P	16



TRAILBOSS

Towbar Fitting Instructions
To Suit HOLDEN VE UTILITY 10 - 2007 On
Part Number QTHD515L
Rating 1600Kg

1. Remove rear Tub liner from inside cargo area via

- a. Removing 3 x Phillips head screws at rear end of tub liner.
- b. Remove 2 x plastic trim plugs from rear end of tub liner each side.
- c. Remove 3 x ties down points each side of the tub liner via torx bolts.
- d. Compress tub at the sides then remove tub from the rear compartment of the utility so that easy access is gained to fit mounting system for towbar.

2. Fitment of crush tubes , boot plates & coach bolts

- a. Pass a screwdriver from underneath the vehicle through existing hole into the floor pan of the vehicle tray.
- b. Slide the crush tube over the screwdriver.
- c. Align the boot plate with existing holes inside floor pan of vehicle tray then pass the screwdriver through the square hole in the boot plate.
- d. Feed the M12 coach bolt through the square hole in the boot plate pushing the screwdriver out allowing the crush tube to remain inside the chassis.
- e. Repeat this for the three remaining mounting points inside the rear floor plan of the vehicle.

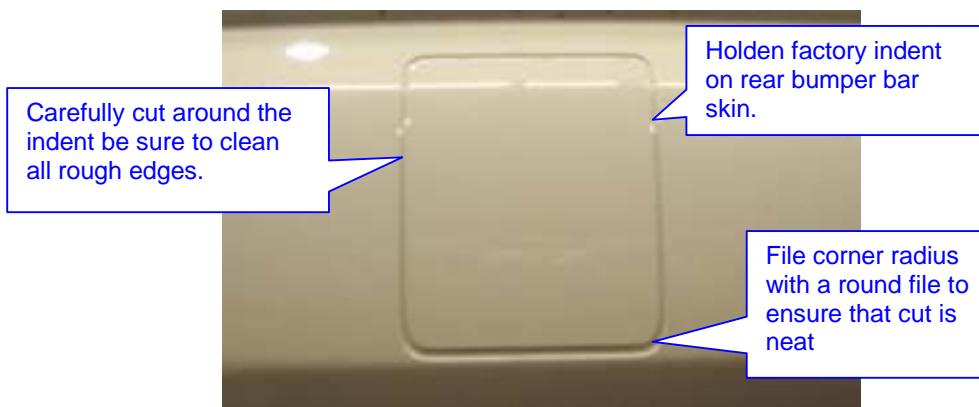
3.

Removal of rear bumper bar skin via

- a. From inside each wheel arch remove 1 x self tapper at the top of the wheel arch each side of the vehicle.
- b. 3 x self tappers inside each wheel arch to outer side of mud flap.
- c. 2 x plastic trim plugs each side of the of wheel arch underneath mud flap.
- d. Let the mud flaps hang at each side.
- e. Remove 4 x plastic trim buttons from underside of bumper bar skin.

4. Removal of rear bumper bar skin via

- a. Flex bumper bar skin out at the side then pull rear ward some force may be required caution two person lift required.
- b. Place the bumper bar skin on suitable bumper stands so not to damage ready for bumper cut.
- c. Using a small hacksaw or similar device carefully cut around the Holden factory indent in the rear fascia of the bumper bar skin.



TRAILBOSS

Towbar Fitting Instructions
To Suit HOLDEN VE UTILITY 10 - 2007 On
Part Number QTHD515L
Rating 1600Kg

5. Fitment of towbar to the vehicle via

- a. Remove & discard the lower of the two tailgate hinge retaining bolts.
- b. Remove exhaust bracket bolts, lower exhaust (LH & RH sides of vehicle) see fig 1
- c. Offer towbar to the underside of the chassis rails so that the slots in the side arms align with the bolts hanging down through the chassis rails.
- d. Fasten loosely with washers & nuts provided.
- e. Fit M8 bolts & washers provided to lower section of the tailgate hinge, passenger side shown repeat for drivers side.
- f. Fasten the rear most M12 nuts first to the torque listing.
- g. Then fasten the rest of the bolts & nuts to the torque listing.
- h. Raise exhaust, refit exhaust bracket bolts. (LH & RH sides of vehicle) see fig 1



6. Refit the bumper bar skin via

- a. Carefully refit the bumper bar skin to rear of the vehicle so that the hitch box section fits through the cut out in the bumper bar skin.
- b. Caution two person lift required to refit the bumper bar skin.
- c. Refit all the fixings for the bumper bar skin in the reverse of steps 4a through to 3a.
- d. Refit the rear tub liner in the reverse of steps 1d through to 1a.
- e. Fit the trailer ball mount & pull pin with spring cotter pin as shown in the assembly diagram.



Wiring Loom Fitting Instructions
To Suit Holden VE Ute (October 2007 Onwards)
Part Number 100065-WL

Wiring Loom Installation Instructions

Holden VE Ute (October 2007 Onwards)
Part No: 100065-WL

Tail Harness Length Require: 1800mm
ECU Required Part No: 04826
RPA Override Switch Part No: 04848 (If Fitted)

Wiring Loom Installation Time: Approx 30 Mins



Wiring Loom Fitting Instructions
To Suit Holden VE Ute (October 2007 Onwards)
Part Number 100065-WL

1. In the tray on the RHS at the rear, remove the clips and the cover.
2. Inside the RHS access cavity area, disconnect tail light 11-way body connector.
3. Secure the Tail Harness (Tail length 1800mm) to the towbar mounting bracket using M4 fasteners.
4. Underneath the bumper, route the Tail Harness (P/No: 100065-WL) towards the RHS grommet access point.
5. Retrieve the Trailer patch harness from the sheet metal opening inside the RHS access cavity area.
6. On the Tail Harness and mating connector, apply electrical grease or silicon on to the back of the connectors to make them water proof.
7. Connect the Trailer Patch Harness (P/No: 100065-WL) to the tail light 11-way connectors.
8. Secure the Trailer Patch Harness ring terminal, on to the vehicle grounding point.
9. Connect the Tail Harness 8-way male connector to the Trailer Patch Harness 8-way female connector.
10. Mount socket onto the towbar mounting bracket using fasteners.
11. Test the Trailer socket using a light board or multi-meter.
12. Secure the all harnesses using cables ties.
13. Refit all removed parts and secure all fasteners.
14. Place instructions in glove box after fitment.