



Tow bar Fitting Instructions
To Suit **HOLDEN CREWMAN S & SS 10/03 - ON**
Part Number **QTHD499L**
Rating 2500Kg

PLEASE READ INSTRUCTIONS THROUGH BEFORE YOU BEGIN

WARNING:

1. Do not, drill, cut weld or otherwise modify the towbar.
2. If you are using electric welding on a motor vehicle, always check that the vehicle is not equipped with electronic engine or instrument management equipment. Failure to do so could destroy any onboard computers. If in doubt, check with the vehicle's manufacturer.

Max. Towing Weight: 2500kg

1. Ensure all hardware items have been included.
2. Remove spare wheel.
3. Using suitable cutting blade, remove bumper cut-out as per marking on underside of bumper.
4. Remove two plastic trim plugs from underside of bumper bar.
5. Bend up & out of the way bumper support tabs.
6. Remove rearmost exhaust bracket from chassis.
7. Position towbar using 2 - M12x35 bolts, spring and flat washers, securing both left and right side of towbar, loosely.
8. Refit rearmost exhaust bracket and tighten.
9. Secure the towbar using 2 horizontal M14x45 bolts, into left and right hand side chassis rail and 2 horizontal M12x35 bolts, into rear chassis rail cross-member.
10. Tighten bolts to specified torque, as shown below.
11. Refit plastic trim plugs into bumper tags on tow bar.
12. Refit spare wheel

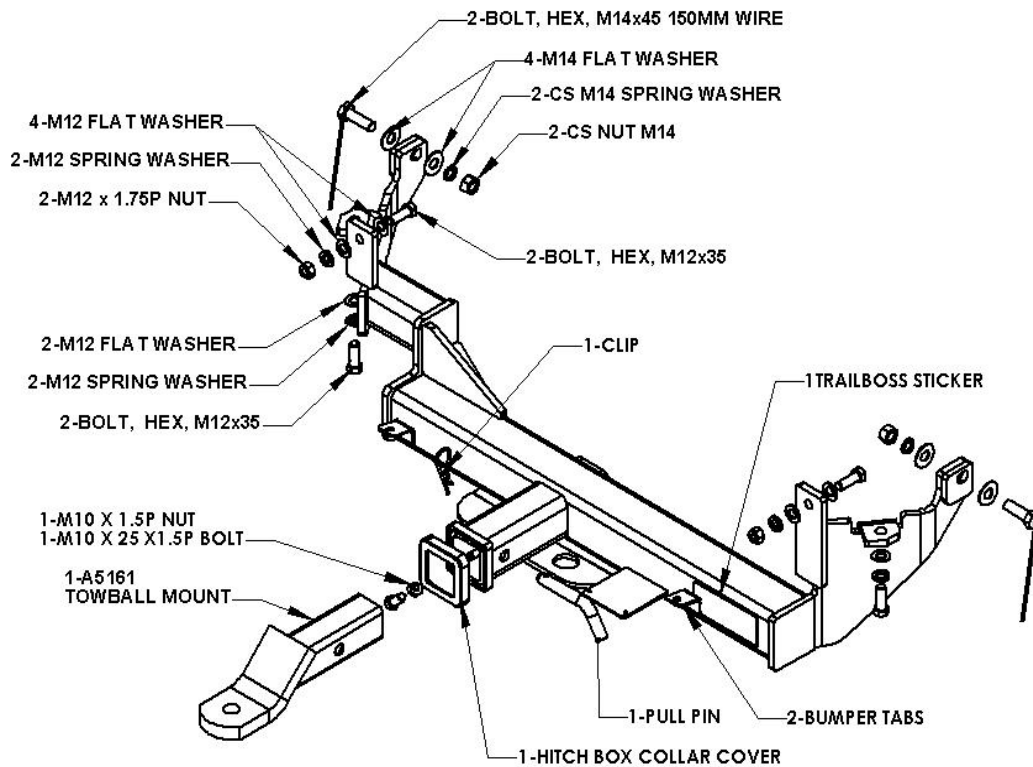
NOTE: Trailboss recommends that you check your towball to ensure it complies with Australian Design Rules.

RECOMMENDED ASSEMBLY TORQUE LISTING

<u>Diameter</u>	<u>Grade 8.8 Bolt</u>
	Nm
M6	9.5
M8	21.7
M10	43.4
M12	77.3
M14	121.0
M16	189.8

TRAILBOSS

Tow bar Fitting Instructions
To Suit **HOLDEN CREWMAN S & SS 10/03 - ON**
Part Number **QTHD499L**
Rating 2500Kg





Tow bar Fitting Instructions
To Suit **HOLDEN CREWMAN S & SS 10/03 - ON**
Part Number **QTHD499L**
Rating 2500Kg

Wiring Loom Installation Instructions

Holden VY Commodore Sedan & Wagon
Holden Statesman Sedan & Wagon

Part No: 100044-WL
Tail Harness Length Required: 1200mm
RPA Override Switch Part No: 04848 (If Fitted)

Wiring Loom Installation Time: Approx 20 Mins

TRAILBOSS

Tow bar Fitting Instructions
To Suit **HOLDEN CREWMAN S & SS 10/03 - ON**
Part Number **QTHD499L**
Rating 2500Kg

Note: For Wagon models, go to step 13.

For VT, VX, VY and VZ sedan models, continue:

1. In the luggage compartment, remove all trims required to gain access to the tail lights.
2. Remove the rear bumper fascia fasteners and then remove the rear bumper fascia (1).
3. Drill a Ø30mm grommet hole into the location shown (2). File down any rough edges and spray on rust inhibitor.



4. Mount the Tail Harness socket (Tail length 1200mm) to the towbar mounting bracket using M4 fasteners.
5. Route the harness along the towbar and into the grommet hole.
6. In the luggage compartment, retrieve the Tail Harness.
7. Adjust the harness grommet to the desired position, ensuring that it is seated correctly into the vehicle grommet hole. Secure the vehicle grommet using a cable tie (not supplied).
8. On the outside of the vehicle, secure the harness to the towbar using cable ties (not supplied).
9. Disconnect the RHS tail light connectors and the 1-way indicator connector. Connect the Trailer Patch Harness (P/No: 100044-WL) in between the tail light connectors and the 1-way indicator connector.
10. Refit the rear bumper fascia.
11. Test the Trailer socket using a light board or multi-meter.
12. Secure the all harnesses using cables ties (not supplied). Refit all removed parts and secure all fasteners. Place instructions in glove box after fitment.



Tow bar Fitting Instructions
To Suit **HOLDEN CREWMAN S & SS 10/03 - ON**
Part Number **QTHD499L**
Rating 2500Kg

The following steps for Wagon models only

13. Remove the rear bumper fascia.
14. Gain access to the tail lights.
15. Remove the tail light assembly.
16. Drill a Ø30mm hole into the rear tail gate, below the RHS tail light cavity opening. File down any rough edges and spray on rust inhibitor.
17. Mount the Tail Harness socket (Tail length 1200mm) to the towbar mounting bracket using M4 fasteners.
18. Route the Tail Harness along the towbar and into the grommet hole
19. Adjust the harness grommet to the desired position, ensuring that it is seated correctly into the vehicle grommet hole. Secure the vehicle grommet using a cable tie (not supplied).
20. Secure the harness to the towbar using cable ties (not supplied).
21. Disconnect the RHS tail light connectors and the 1-way indicator connector. Connect the Trailer Patch Harness (P/No: 100044-WL) in between the tail light connectors and the 1-way indicator connector
22. Connect the Tail Harness 8-way male connector to the Trailer Patch Harness 8-way female connector.
23. Test the Trailer Harness function using a Light Board or multimeter.
24. Secure the Trailer Patch Harness using cable ties (not supplied).
25. Refit all removed parts and secure all fasteners ensuring there are no squeaks or rattles.
26. Place instructions in glove box after fitment.