

**PRODUCT DETAILS:**

---

<b>Part Number:</b>	QTDS870L	<b>Maximum Towing Braked:</b>	3500	kg
<b>ECU Number:</b>	WLT030	<b>Maximum Towing Unbraked:</b>	750	kg
<b>Tail Harness Length Required:</b>	1200mm/WLT024	<b>Maximum Static Ball Load:</b>	350	kg
<b>TBM/Lug Part Number:</b>	21342			

---

**FITTING DETAILS:**

---

<b>Towbar Installation Time:</b>	40 Mins.	<b>RPA Disable/Other:</b>	YES
<b>Total Installation Time:</b>	70 Mins.		
<b>Bumper Cut Required:</b>	No		

---

**Note:**

- WLT024 tail must be used for trailer connect.
- Trailer fuse located in engine bay fuse box F6.

### TRAILBOSS RECOMMENDS THAT INSTRUCTIONS ARE READ AND UNDERSTOOD COMPLETELY PRIOR TO FITMENT.

#### BEFORE YOU START:

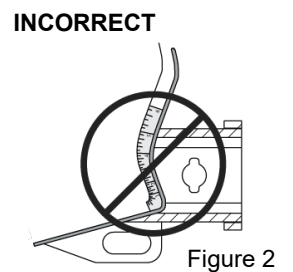
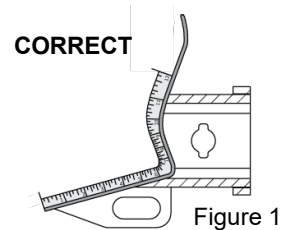
Check all hardware items have been included refer to assembly diagram.  
Please ensure this towbar is only fitted to vehicle models as per Trailboss application guide.

#### Bumper Cuts

Vehicle and bumper variations can and do occur during vehicle manufacture after initial towbar design. Fitment of towbar to vehicle and accuracy of bumper cut must be assessed prior to any bumper modifications made. Incorrect bumper cuts are not covered under Trailboss warranty.

**NOTE: Bumper cuts need to be approached with care, refer to notes below.**

- Bumper centreline – where the centreline of the bumper needs to be determined, the installer must assess centre point by measurement of bumper width or determining two symmetrical reference points to give centreline.
- Bumper edge – To assist with accurate bumper cut measurement, reference to the start of the bumper edge is now being commonly used.
  - Measure from bottom edge along bumper and around corner to the 70 mm point (Figure 1).
  - Do not measure from visible bumper front of corner, upwards (Figure 2).



#### Drilling

- For any required drilling during installation, ensure that the area is clear of fuel, electrical & other components that may be damaged.
- All holes drilled into metal body panels shall have all burrs & swarf removed then coated with a suitable rust preventative paint.

#### Bolts/Fasteners

- Ensure that all hardware is fastened to correct torque as specified in this fitting instruction.
- All fasteners supplied with this product are used to achieve a specified clamp loading. If replacement is required ensure that fasteners of the same grade and class are used.

**NOTE: Achieving correct torque is critical to proper installation and responsibility of the installer. Towbar failures attributed to tension issues from over tightening or under tightening are not covered by Trailboss warranty.**

#### Product Labels

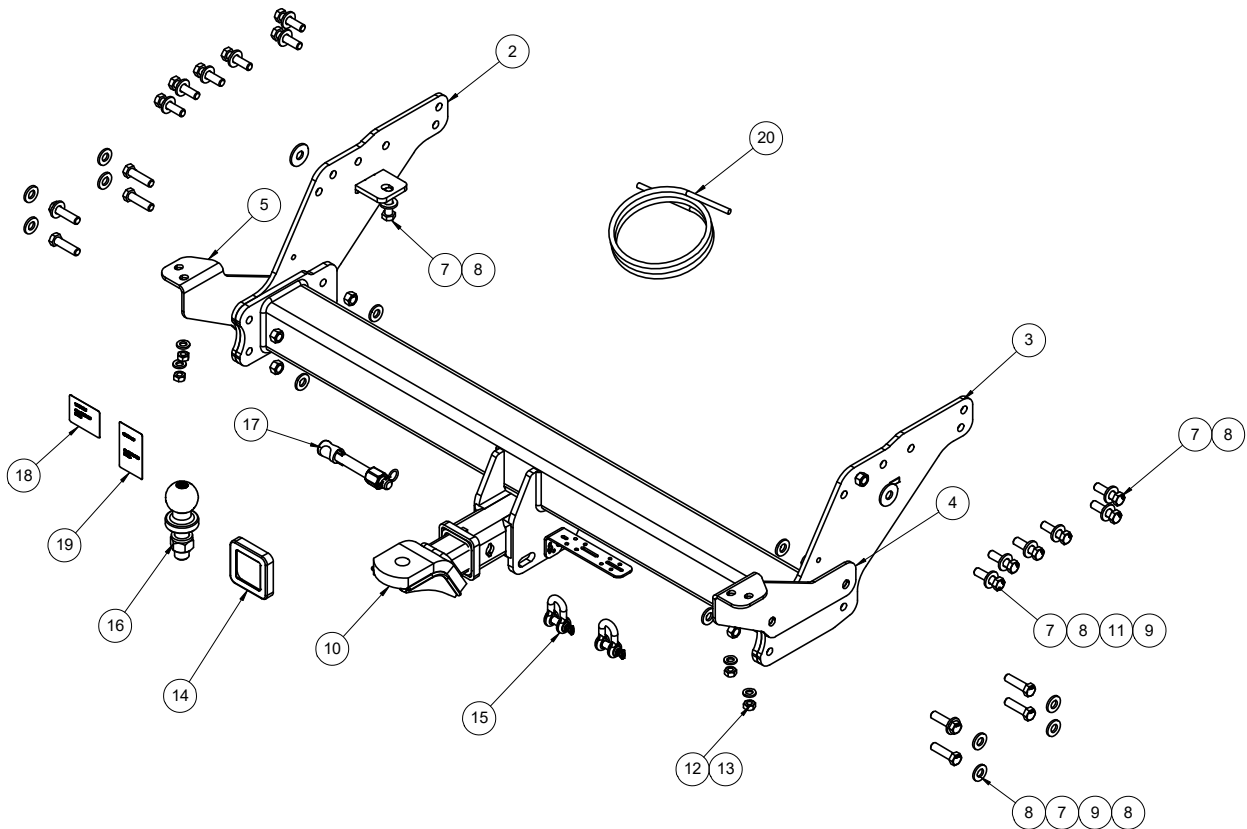
- a. Towbar load rating sticker provided with this product shall be conspicuously located on inside rear end of the driver's door.

### WARNING:

**Do not, drill, cut, weld or otherwise modify the towbar.**

**FOR TOWING PURPOSES ONLY - This towbar is designed and tested by Trailboss to adhere to ADR 62/02 which provides only for the expected load demands of towing.**

### **i** TOWBAR ASSEMBLY DIAGRAM

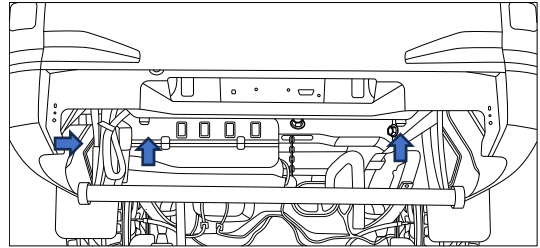


ITEM	DESCRIPTION	QTY
1	NISSAN NAVARA WELDED ASSY	1
2	SIDE ARM LHS ASSY	2
3	SIDE ARM RHS ASSY	1
4	STEP BRACKET – RHS	1
5	STEP BRACKET – LHS	1
6	LARGE UNIVERSAL PLUG BRKT KIT	1
7	SET SCREW HEX HD M12x45x1.25P G10.9	22
8	WASHER PLAIN M12x27x3.0mm	30
9	NUT HEX HD M12x1.25P G10	10
10	TRAILER BALL MOUNT	1

ITEM	DESCRIPTION	QTY
11	WASHER PLAIN M14x37x3.0mm	2
12	NUT HEX HD M10x1.25P G8	4
13	WASHER PLAIN M10x20x2.5mm	4
14	HITCH BOX COLLAR COVER	1
15	“D” SHACKLE 10mm	2
16	TOWBALL 50mm	1
17	SMART PIN SILVER	1
18	COMPLIANCE LABEL	1
19	LOAD RATING LABEL	1
20	WIRE LOOM	1

1. Remove the spare tyre.
2. Dislodge 4x wire harness clips on the bumper bracket.

Disconnect the 2x rear sensor connectors.

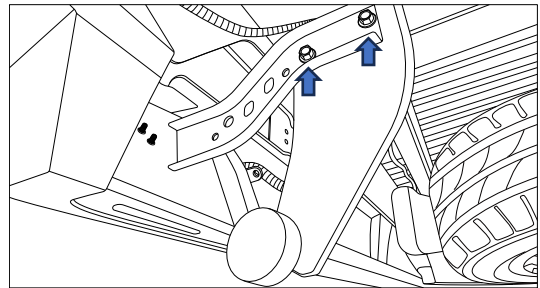


3. Remove and discard 2x bolts from the chassis.

Repeat for the other side.

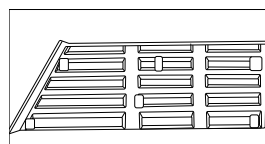
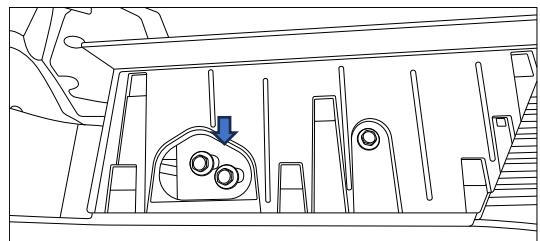
Remove the bumper.

Remove and discard the rear protection bar.



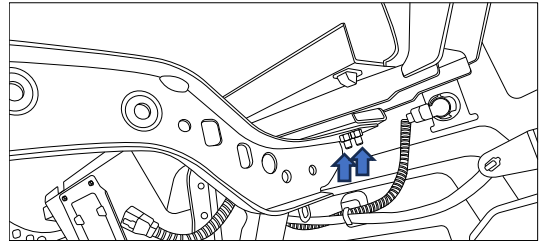
4. Remove the top plastic cover on the bumper to access the 2x screws.

Repeat for the other side.



- 
5. Remove and retain 2x screws on the bumper bracket.  
Discard the bumper bracket.

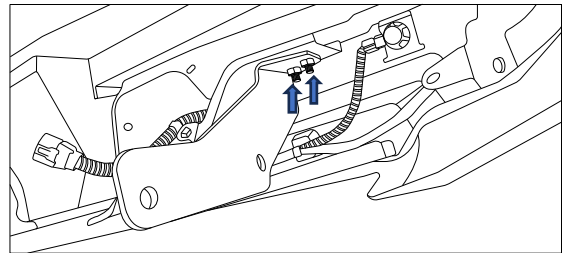
Repeat for the other side.



- 
6. Fit and loosely tighten the new bumper bracket with the retained 2x screws, 2x washers and 2x nuts.

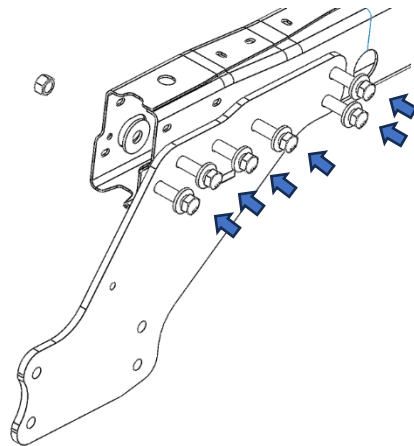
Repeat the other side.

**Note: Fasteners indicated will allow you to adjust the bumper when back on the vehicle in step 10.**



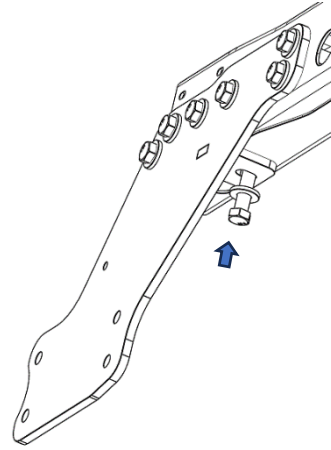
- 
7. Fit the side arm to the chassis.  
Loosely tighten with 6x screws, 6x washers, 1x spacer and 1x nut.

Repeat for the other side.



- 
8. Loosely tighten with 1x screw and 1x washer.

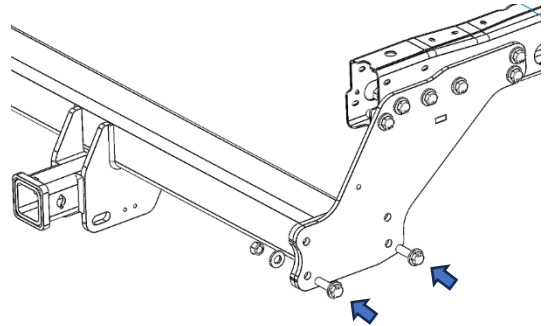
Repeat for the other side.



- 
9. Fit the cross bar assembly between the side arms.

Loosely tighten with 2x bolts, 4x washers and 2x nuts to the bottom holes.

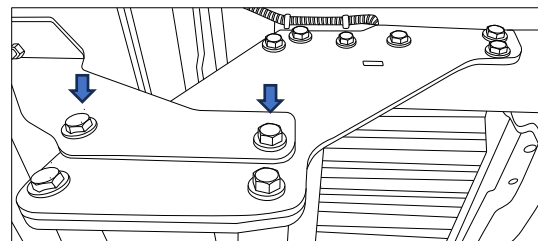
Repeat for the other side.



- 
10. Fit the bumper to the vehicle and align the holes.

Loosely tighten with 2x bolts, 4x washers and 2x nuts.

Repeat for the other side.

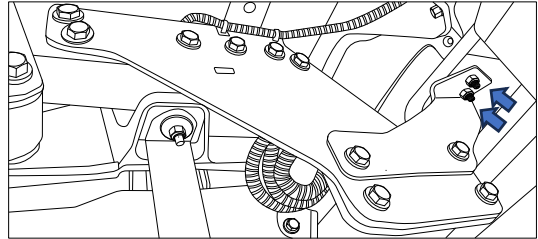


11. Adjust the bumper to the preferred position.

Torque all faster as following:

M10 x 1.25 - 8.8 = 48Nm

M12 x 1.25 - 10.9 = 125Nm

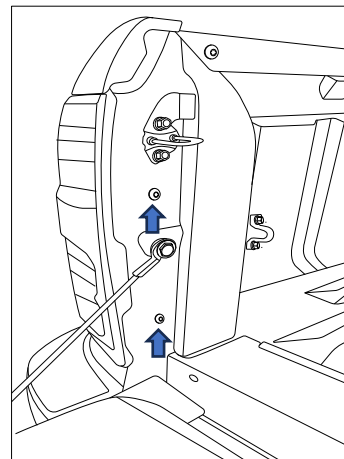


## IMPORTANT

Due to possible vehicle variations, always confirm any noted vehicle colour wires with a multi-meter to ensure the correct function is identified before soldering or scotch locking. For vehicle wires denoted with two colours (example; RED/GREEN) the first colour will always be the main wire colour while the second colour is the thinner trace colour on the wire.

12. Remove 2x Phillips head screws to remove LHS taillight.
13. Pull the light reward to dislodge and gain access to the connector.
14. Disconnect the 6- way connector place the taillight in a safe place.

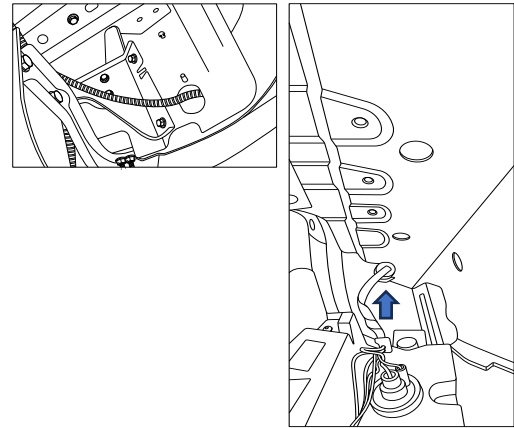
Repeat steps for opposite side.



- 
15. From underneath LHS of the vehicle, feed the trailer patch LHS taillight connectors towards the LHS tail connector.

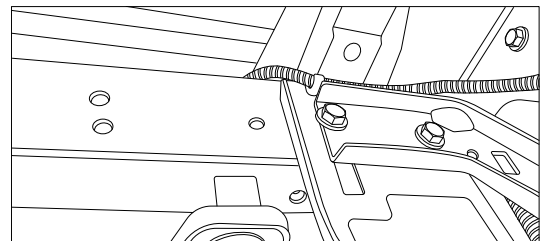
Note: LHS taillight connector has Yellow/Black wire.

16. Patch the taillight connector.

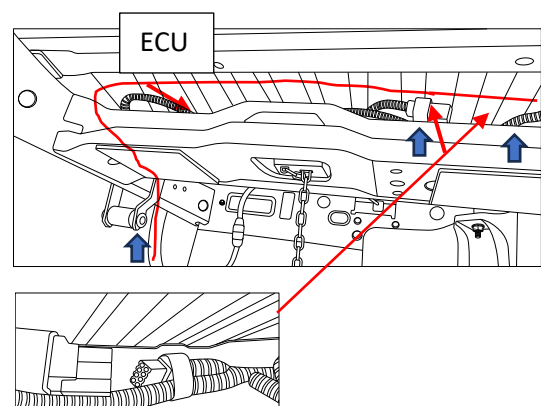


- 
17. Route the trailer patch along the LHS chassis following the vehicle harness towards the vehicle 8-way and 4-way Prewire connectors.

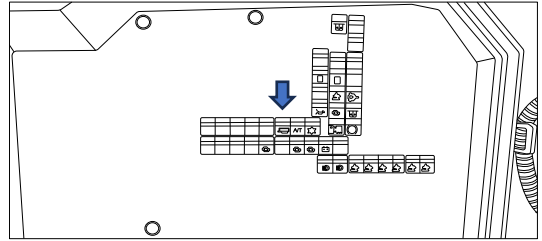
Note: The vehicle prewire connectors are located above the spare wheel cross frame.



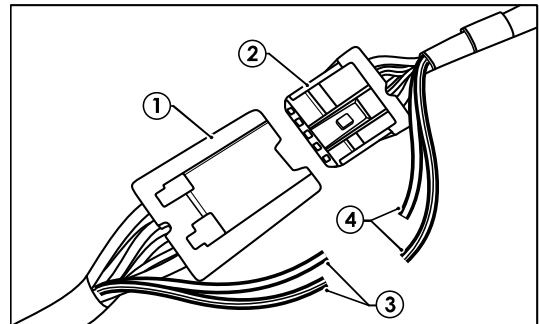
- 
18. Locate and remove the 4-way and 8-way Prewire blanking connectors and discard.  
19. Connect the trailer patch mating connectors.  
20. Connect the waterproof ECU (04835) to the ECU mating connector and secure it above the spare wheel cross frame.  
21. Continue to route the trailer patch along the RHS chassis towards the RHS 6-way taillight connector.  
22. Connect the RHS mating connector.



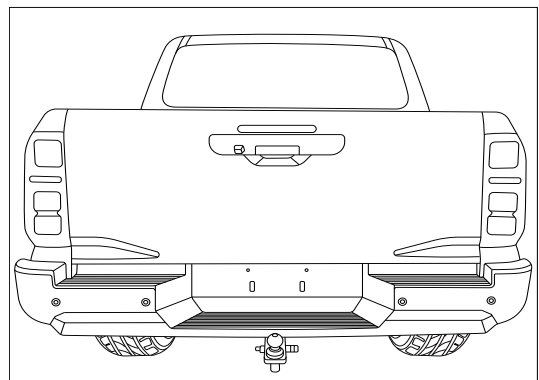
- 
23. Remove the fuse cover if the trailer fuse F6 is populated with a 30amp fuse, remove it and replace it with the supplied 20amp fuse.



- 
24. Mount the trailer socket to plug bracket.  
25. Route the tail (tail length 1800) towards the trailer patch blue connector.  
26. Connect the tail harness (tail length 1800mm) 8-way connector (1) to the trailer patch mating 8-way connector (2).  
27. Cut-off, crimp the tail harness GREY and GREY/BLACK wires (3) to the trailer patch matching GREY and GREY/BLACK wires (4).



- 
28. Re-fit all removed parts and secure all fasteners ensuring there are no rattles or squeaks.  
29. Test the trailer patch function using a light board or multimeter.  
30. Secure all harness using cable ties (not supplied).





## CUSTOMER INFORMATION

PLACE THESE INSTRUCTIONS IN THE  
VEHICLE'S GLOVEBOX AFTER INSTALLATION

**THANK YOU FOR PURCHASING TRAILBOSS. WITH CORRECT MAINTENANCE AND CARE  
THIS PRODUCT WILL PROVIDE A LIFETIME OF TROUBLE-FREE OPERATION.**

### **TOWBAR MAINTENANCE AND CARE:**

1. Trailboss recommend that the towbar LUG or TBM (Trailer Ball Mount) Pull Pin and R-clip are removed and stored when not in use. Removal of LUG or TBM (Trailer Ball Mount) is advisable when not in use to assist with any of the following.
  - Ensure rear number plate is not obscured.
  - Allow maximum available departure angle and prevent any potential interference.
  - Prevent possible interference with vehicles reverse sensors or camera detecting a tow ball mount as an obstruction during reversing.
  - Removes towball mount as an obstruction for when moving around the rear of the vehicle.
2. Trailboss recommends routine inspection of your towbar to ensure trouble free towing.
  - Bolt security and tension should be regularly inspected and checked for correct tension. Replace any worn or defective parts with suitable grade & class fasteners. Inspection should be requested to coincide with vehicle major services.
3. It is the owner's responsibility to ensure towing and down ball weight capacities of the towing vehicle are not exceeded.
  - Towing and down ball weights allowable may differ according to model variations. Please refer to owner's manual or vehicle dealer to confirm exact rating for your vehicle model variant.
  - It is not uncommon for the vehicle tow rating to differ from the towbar rating. When this occurs, the lesser rating must be adhered to.
  - For vehicles fitted with enhanced vehicle functions that may be altered/changed when towing i.e Trailer sway mitigation, blind spot detection, adaptive cruise control etc. Please consult owner's manual to understand changes enabled when towing and after towing.

### **WARRANTY INFORMATION:**

Trailboss Towbars are covered by a Lifetime Warranty.

Our goods come with guarantees that cannot be excluded under the Australian Consumer Law. You are entitled to a replacement or refund for a major failure and for compensation for any other reasonably foreseeable loss or damage. You are also entitled to have the goods repaired or replaced if the goods fail to be of acceptable quality and the failure does not amount to a major failure.

For further details please contact customer service on 1800 812 017.

## PRO SERIES SILENT ANTI-RATTLE HITCH PIN

Your Trailboss towbar is equipped with a Pro Series Silent Anti-Rattle Hitch Pin technology to help reduce towbar tongue rattle in most driving conditions. Please ensure below instructions are understood and routine maintenance is carried out to ensure best towing experience.

Regularly inspect for wear and check the tightness of the Silent Anti-Rattle Hitch Pin. Follow instructions below to re-tighten the nut as necessary when movement and noise in the tow ball mount is noted.

- Before towing, ensure R-Clip is properly installed and hitch pin nut is installed and tensioned. Replacement parts are available from your Pro Series Distributor.

## TOWBALL MOUNT REMOVAL/INSTALLATION

### STEP 1

Insert Trailer Ball Mount (TBM) (a) into towbar hitchbox (b), aligning hole in TBM shank (c) with hole in hitchbox (d) (Fig. 1)

### STEP 2

Insert Silent Anti-Rattle Hitch Pin (e) through hole in hitchbox and hole in TBM shank (g); ensure the locators are inserted into the notches in the hitchbox (Fig. 2)

### STEP 3

Screw Silent Anti-Rattle Hitch Pin Nut (f) onto Smart Pin (g); tighten Smart Pin Nut until finger tight, ensuring TBM is restrained from up and down movement.

### STEP 4

Tighten Silent Anti-Rattle Hitch Pin Nut by turning nut a further 1/8th of a turn in the clockwise direction using a 24mm spanner (Fig. 4).

### STEP 5

Install Silent Anti-Rattle Hitch Pin R-Clip through the hole that provides best clearance or easiest access. (Fig. 5)

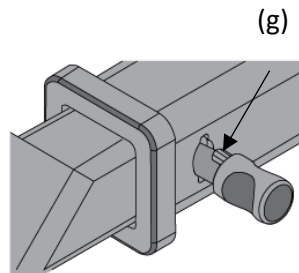
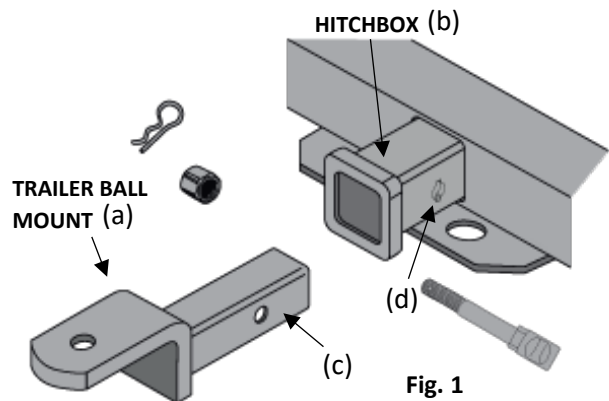


Fig. 2

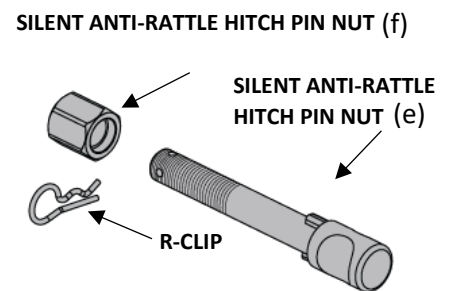


Fig. 3

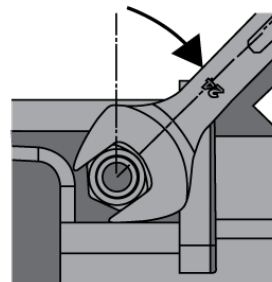


Fig. 4

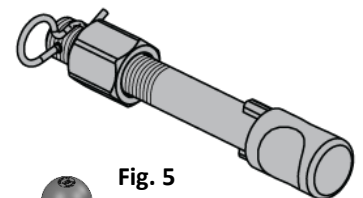


Fig. 5

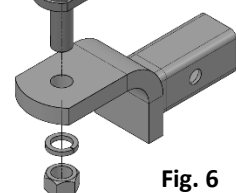


Fig. 6