

### PRODUCT DETAILS:

Part Number:	QTBD002L	Maximum Towing Braked:	750	kg
ECU Number:	04826	Maximum Towing Unbraked:	750	kg
Tail Harness Length Required:	1200 mm	Maximum Static Ball Load:	75	kg
TBM/Lug Part Number:	21324			

### FITTING DETAILS:

Towbar Installation Time:	60 Mins.	RPA Disable/Other:	NO
Total Installation Time:	120 Mins.		
Bumper Cut Required:	Yes		

#### Note:

- RPA disable via switch near gear shifter.



Electrical vehicles include a high voltage battery, which can lead to property damage and personal injury if handled incorrectly.

DO NOT unplug any orange high voltage cables unless the vehicles have been properly isolated by a high voltage trained technician. Serious injury or death may occur.

### TRAILBOSS RECOMMENDS THAT INSTRUCTIONS ARE READ AND UNDERSTOOD COMPLETELY PRIOR TO FITMENT.

#### BEFORE YOU START:

Check all hardware items have been included refer to assembly diagram.  
Please ensure this towbar is only fitted to vehicle models as per Trailboss application guide.

#### Bumper Cuts

Vehicle and bumper variations can and do occur during vehicle manufacture after initial towbar design. Fitment of towbar to vehicle and accuracy of bumper cut must be assessed prior to any bumper modifications made. Incorrect bumper cuts are not covered under Trailboss warranty.

**NOTE: Bumper cuts need to be approached with care, refer to notes below.**

- Bumper centreline – where the centreline of the bumper needs to be determined, the installer must assess centre point by measurement of bumper width or determining two symmetrical reference points to give centreline.
- Bumper edge – To assist with accurate bumper cut measurement, reference to the start of the bumper edge is now being commonly used.
  - Measure from bottom edge along bumper and around corner to the 70 mm point (Figure 1).
  - Do not measure from visible bumper front of corner, upwards (Figure 2).

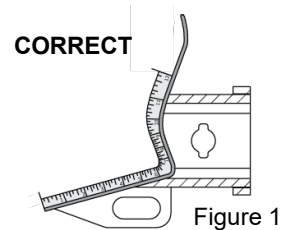


Figure 1

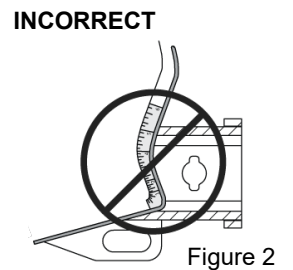


Figure 2

#### Drilling

- For any required drilling during installation, ensure that the area is clear of fuel, electrical & other components that may be damaged.
- All holes drilled into metal body panels shall have all burrs & swarf removed then coated with a suitable rust preventative paint.

#### Bolts/Fasteners

- Ensure that all hardware is fastened to correct torque as specified in this fitting instruction.
- All fasteners supplied with this product are used to achieve a specified clamp loading. If replacement is required ensure that fasteners of the same grade and class are used.

**NOTE: Achieving correct torque is critical to proper installation and responsibility of the installer. Towbar failures attributed to tension issues from over tightening or under tightening are not covered by Trailboss warranty.**

#### Product Labels

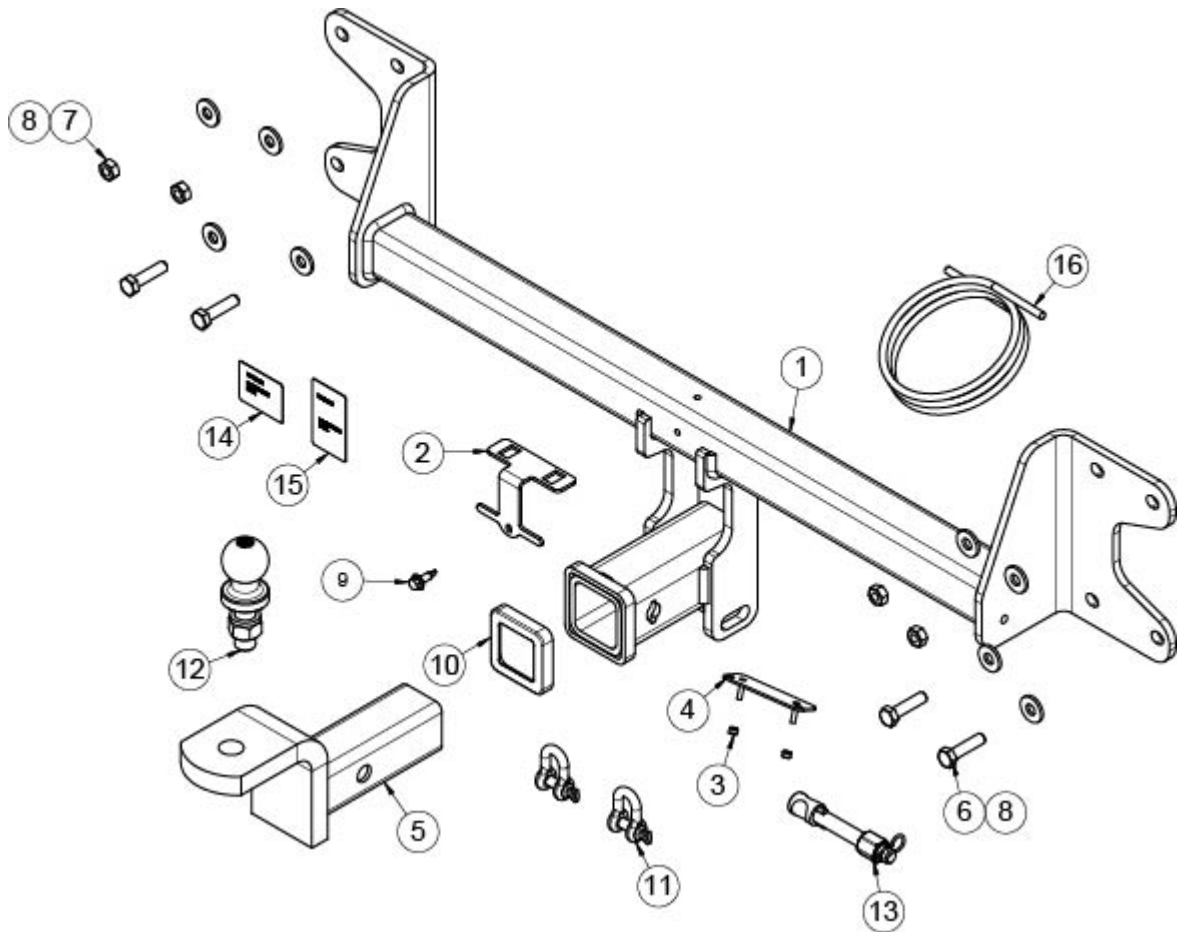
- a. Towbar load rating sticker provided with this product shall be conspicuously located on inside rear end of the driver's door.

#### WARNING:

**Do not, drill, cut, weld or otherwise modify the towbar.**

**FOR TOWING PURPOSES ONLY - This towbar is designed and tested by Trailboss to adhere to ADR 62/02 which provides only for the expected load demands of towing.**

### **i** TOWBAR ASSEMBLY DIAGRAM

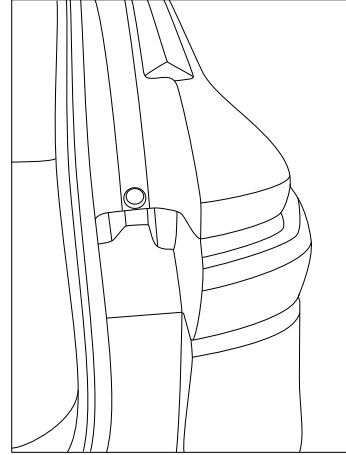


ITEM	DESCRIPTION	QTY
1	BYD ATTO3 WELDMENT	1
2	ANTENNA BRACKET	1
3	NUT NYLOC HEX HD M4x0.7P GB	2
4	PLUG BRACKET	1
5	TRAILER BALL MOUNT	1
6	SCREW HEX HD M10x40x1.25P G8.8	4
7	NUT HEX HD M10x1.25P G8	4
8	WASHER PLAIN M10x25x3.0mm	8

ITEM	DESCRIPTION	QTY
9	TEK SCREW 14-20 HEX HD 22mm	1
10	HITCH BOX COLLAR COVER	1
11	"D" SHACKLE 10mm	2
12	TOWBALL 50mm	1
13	SMART PIN SILVER	1
14	COMPLIANCE LABEL	1
15	LOAD RATING LABEL	1
16	WIRE LOOM	1

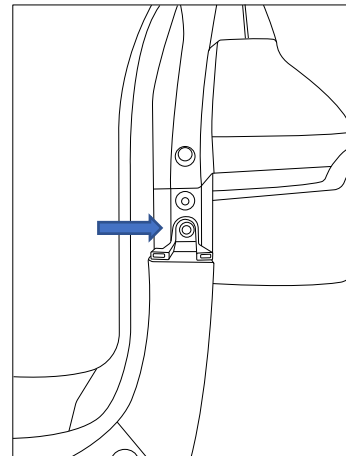
1. In the Engine Bay, disconnect the vehicle 12-volt negative battery terminal.
2. Remove the taillight cover by pulling it rearward.

Repeat for the other side



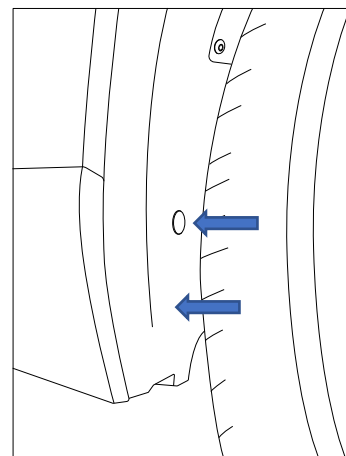
3. Remove 1x screw.

Repeat for the other side.



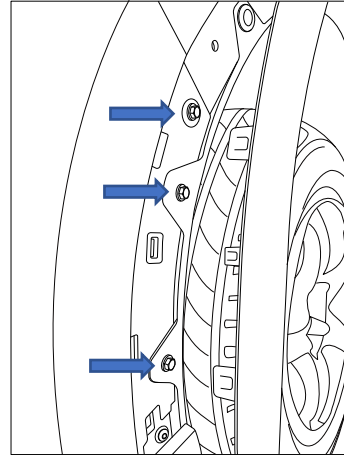
4. Remove 1x scrivet and 1x plastic nut.

Repeat for the other side.



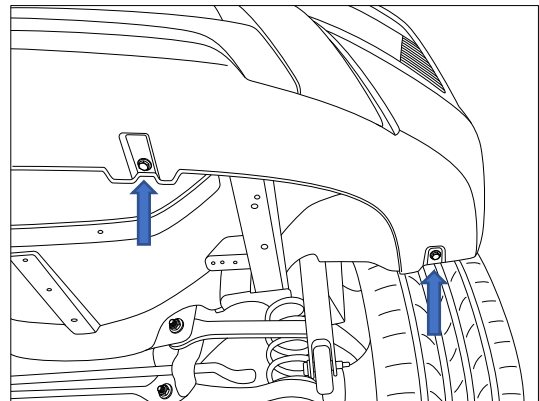
- 
5. Unclip the wheel arch.  
Remove 3x screws under the wheel arch

Repeat for the other side.

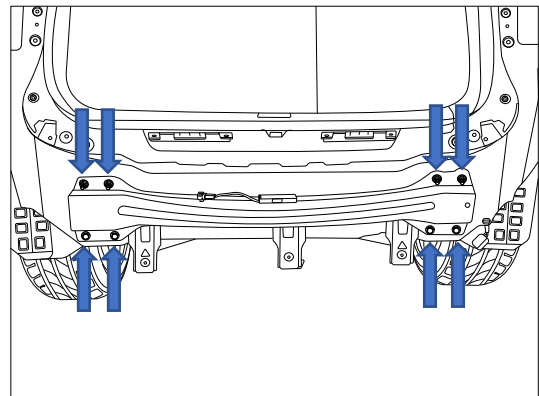


- 
6. Remove the 2x screw below the bumper.

Repeat for the other side.



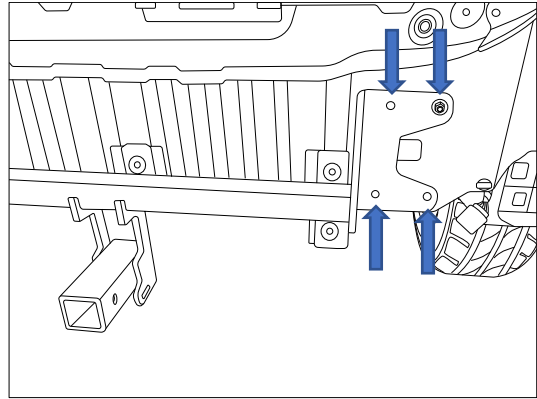
- 
7. Unclip the bumper and disconnect the sensor harness.  
Remove and retain the keyless antenna from the impact beam.  
Remove and discard 4x nuts and 4x bolts from the impact beam from the vehicle.



8. Fit the tow bar to the vehicle and secure with (4x) washers, M10 nuts and M10 bolts.

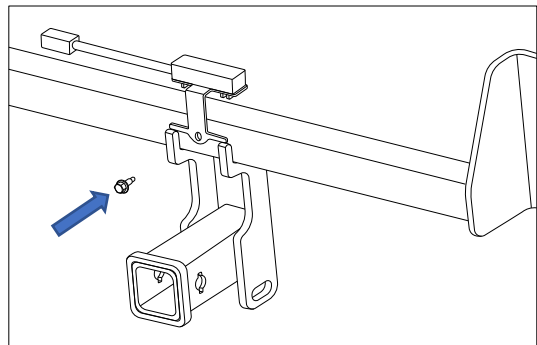
Repeat for the other side.

Torque fasteners as follows:  
M10 x 1.25P = 48 Nm

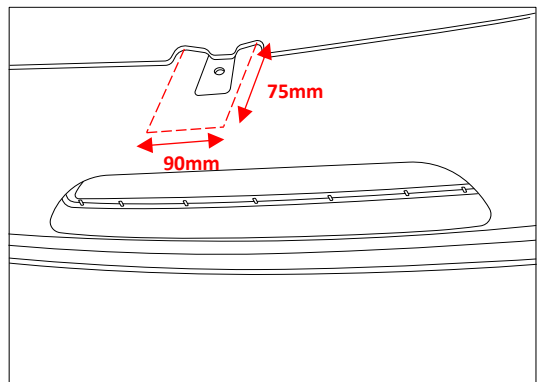


9. Fit and cable tie the keyless sensor to the bracket.

Fit the keyless sensor bracket to the towbar and secure it 1x screw.



10. Place masking tape on the bumper outer skin  
Mark and cut out an area 90mm x75mm to clear the hitch box.  
Be mindful to remove any wiring in the cutout area.

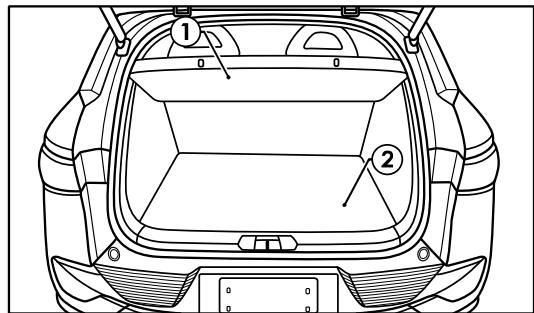


---

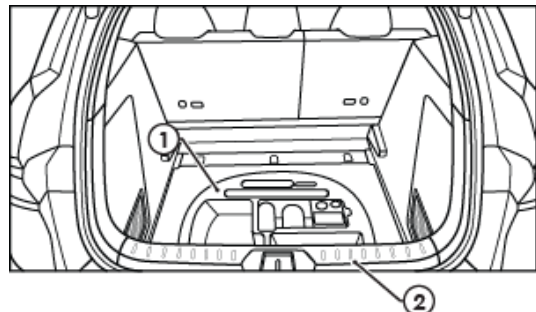
### IMPORTANT

Due to possible vehicle variations, always confirm any noted vehicle colour wires with a multi-meter to ensure the correct function is identified before soldering or scotch locking. For vehicle wires denoted with two colours (example; RED/GREEN) the first colour will always be the main wire colour while the second colour is the thinner trace colour on the wire.

- 
11. Remove the Rear Cargo Blind (1), and Boot Liner (2).



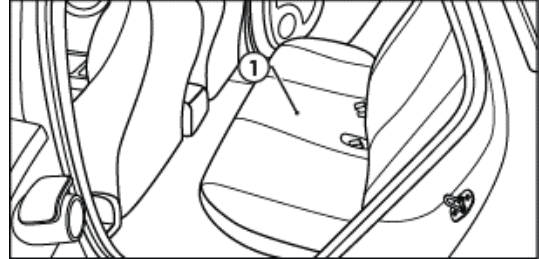
- 
12. Unscrew the 4x plastic retaining nuts and then remove Toolbox (1) from vehicle.  
13. Remove the two retaining bolts and remove Rear Scuff Trim (2).



---

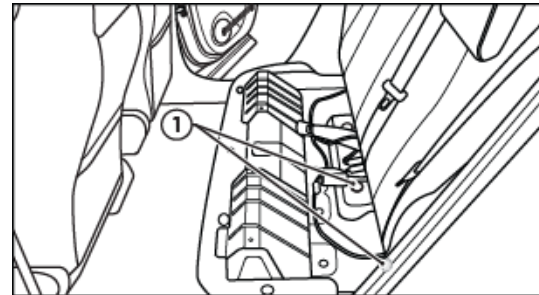
14. Dislodge the Rear Seat Base (1) and disconnect the connectors underneath the rear seat base.

15. Remove Rear Seat Base (1).



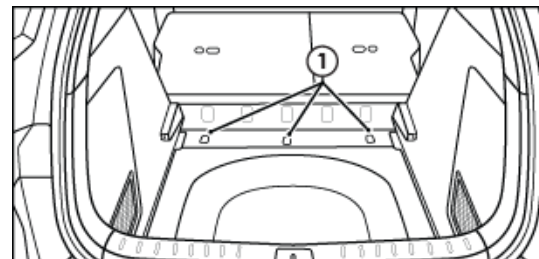
---

16. Remove LHS rear seat belt Mounting Bolts (1) and fold seat backs forward.

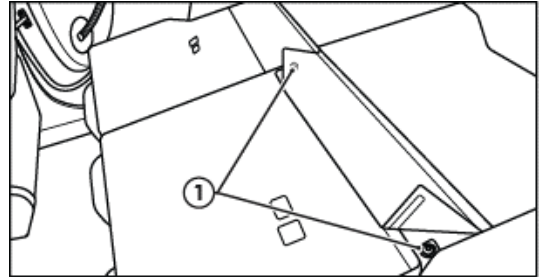


---

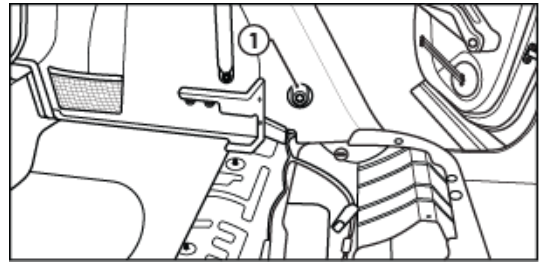
17. From inside rear of boot, remove 3x Trim Securing Nuts (1).



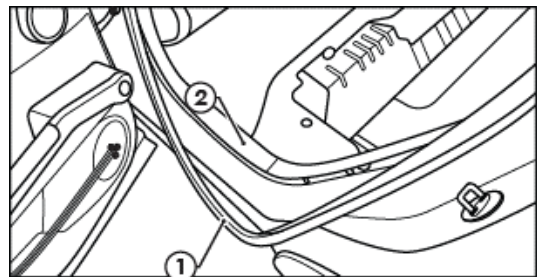
- 
18. Remove 2x Retaining Nuts (1) for LHS rear seat back and carefully remove seat back from vehicle.



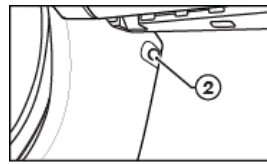
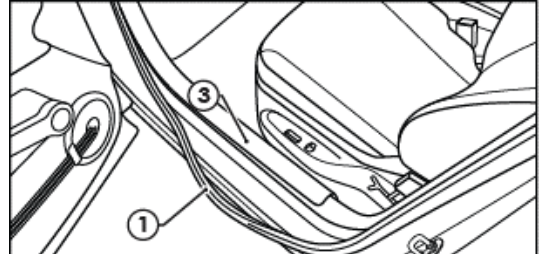
- 
19. Remove left Rear Seat Mounting Bracket (1) from lower C-Pillar area.



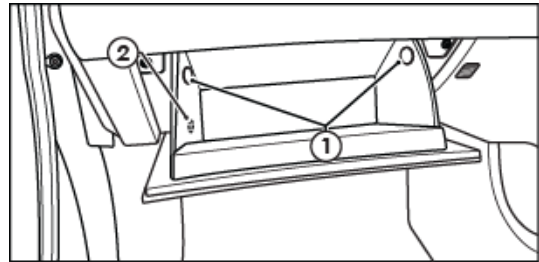
- 
20. At the LHS rear door, dislodge the Aperture Seal (1).  
21. Remove the LHS Door Sill Trim (2) by carefully pulling in an upward direction.



22. Remove left front door Aperture Seal (1) and door trim Securing Nut (2).
23. Remove the Door Sill Trim (3) by carefully prying with trim tool in an upward direction.
24. Remove lower part of the B-Pillar Trim by carefully prying towards centre of the vehicle.

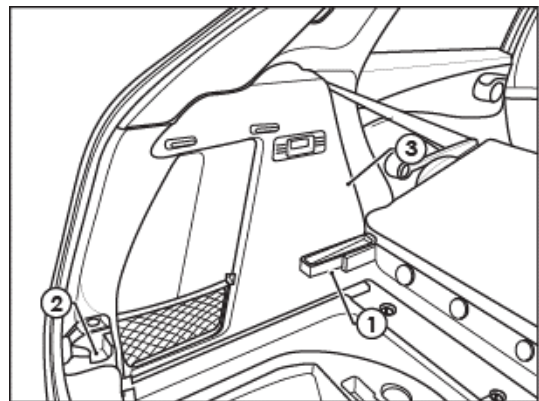


25. Remove 2x securing Screws (1) from inside of glove box.
26. Dislodge glove box Return Strap (2) at lower left rear outer edge of glove box.
27. Remove glove box from vehicle.

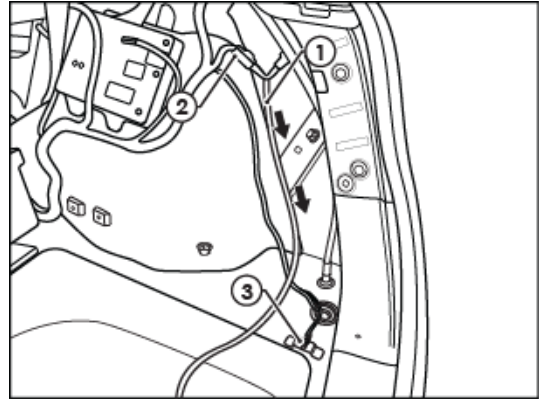


28. Remove the 2x Bolts (1) and Scrivet (2) holding the LHS Luggage Compartment Trim (3).
29. Dislodge the LHS Rear Luggage Compartment Trim (3) and disconnect any connectors from behind.
30. Fold the LHS Rear Luggage Compartment Trim (3) to the centre of the vehicle.

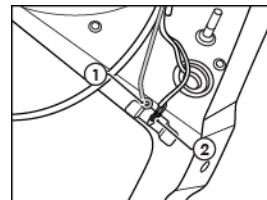
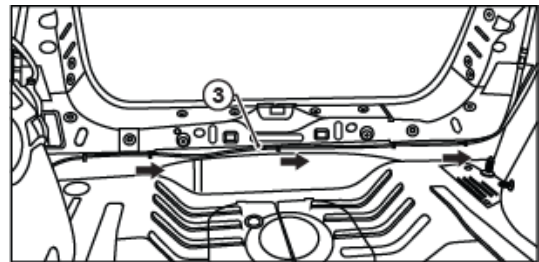
**Repeat for RHS**



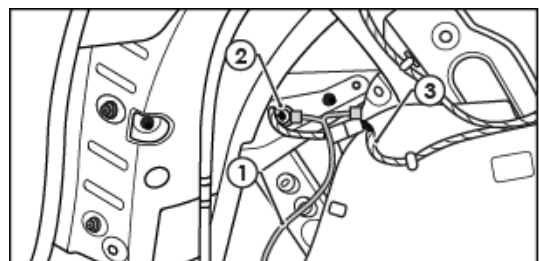
31. At the RHS tail lamp, patch in the RHS tail lamp connectors on the Patch Harness (102826-WL) (1) in between the vehicle taillight wiring and the Vehicle Body Wiring (2).
32. Route the trailer patch Ground Ring Terminal down towards the Vehicle Earth Point (3).



33. Secure the Ground Ring Terminal (1) to vehicle earthing point (2).
34. Route the rest of the Trailer Patch Wiring (3) across towards the LHS of the vehicle.

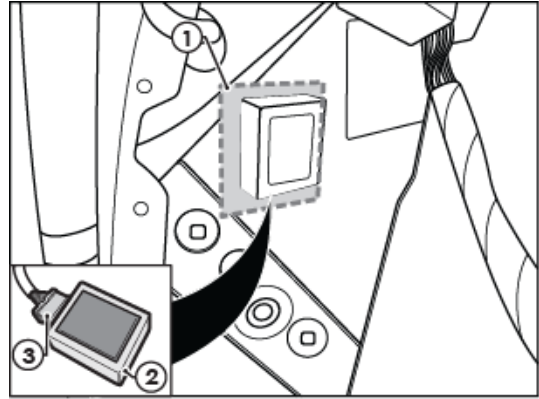


35. On the LHS, patch in the LHS Patch Connectors (1) in between the vehicle Taillight Wiring (2) and the Vehicle Body Wiring (3).

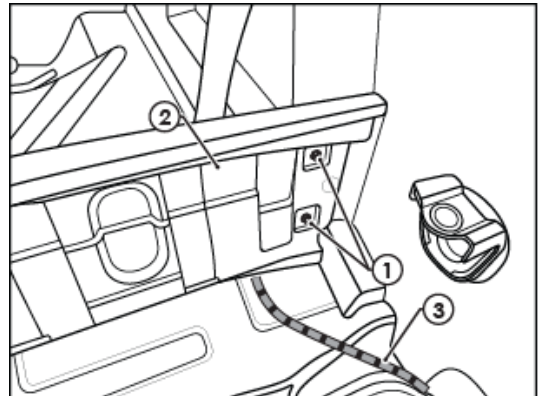


36. Using an alcohol wipe, clean the LHS inner sheet metal area (1) and the underside of the ECU (04826) (2).
37. Connect the trailer patch 12-Way Connector (3) to the ECU.
38. Apply the double-sided tape to the ECU (2) and secure it to the vehicle sheet metal.

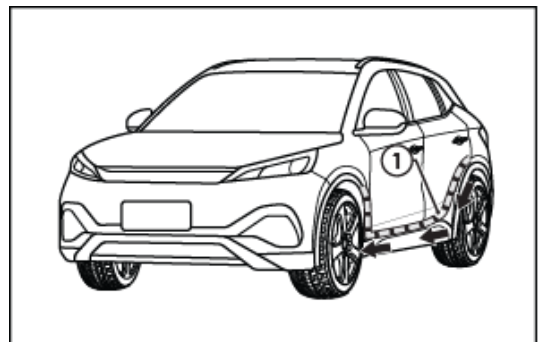
**Note: Mount the ECU, ensuring the connector is orientated downwards.**



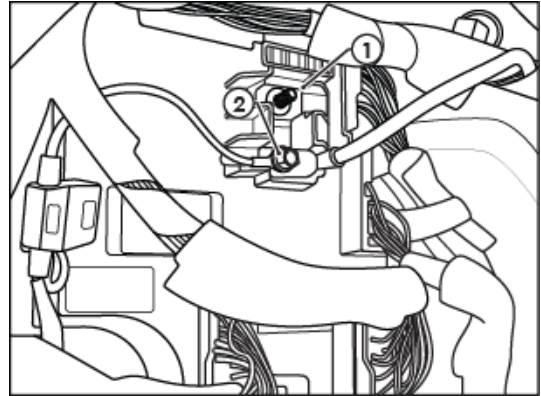
39. Undo the 2x Screws (1) from the front LHS of the Rear Boot Trim (2).
40. Partially dislodge the Rear Boot Trim (2) to allow the Orange Power Wire (3) to pass through underneath.
41. Route the Orange Power Wire (3) up through under the Rear Boot Trim (2).
42. Tuck the power wire under LHS Compartment trim as required.



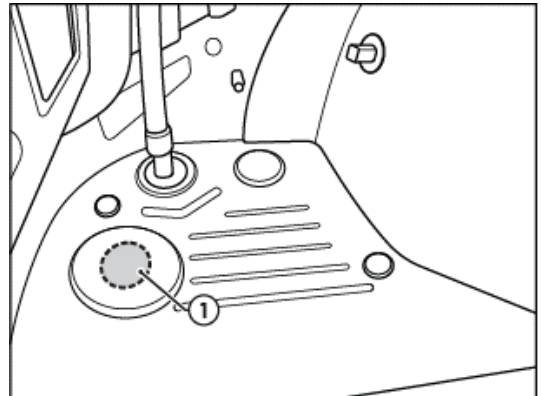
43. Route the Orange Power Wire (1) down the LHS towards the vehicle ECU near the Passenger's left knee.
44. Tuck the power wire under the trim as required.



45. Locate the vehicle ECU (1) mounted on the LF A-Pillar cavity behind the Glove box.
46. Secure the Orange Power Wire ring terminal to the ECU Power Supply Stud (2).
47. Tuck the power wire along the LHS Door Sill Trims removed in the previous steps.



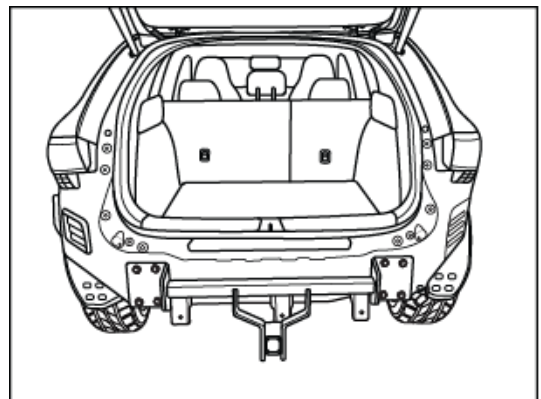
48. At the Rear LHS of the vehicle behind the Wheel Arch, drill a 30mm grommet hole in a Suitable Location (1) to enable the tail harness to be routed from the towbar to the Trailer Patch.



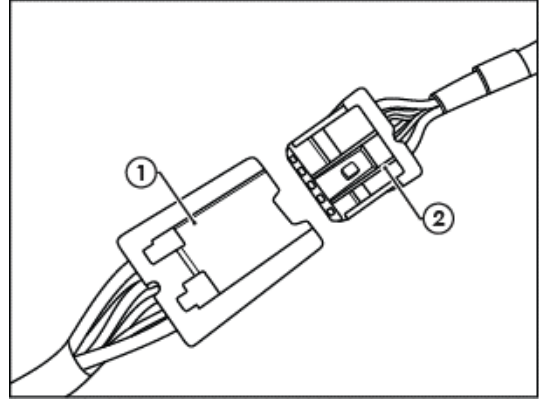
49. With the rear bumper removed, secure tail harness to towbar.
50. Route tail harness up through chassis and previously drilled 30mm hole.
51. Seat grommet in 30mm hole and route to trailer harness blue connector on patch loom.

**Note: Keep harness routing clear of all sharp edges, moving parts and places of extreme heat.**

**Note: Ensure grommet is seated correctly and makes a good seal.**



- 
52. Connect the tail harness (tail length 1200mm) 8-Way Connector (1) to the trailer patch mating 8-Way Connector (2).
  53. Secure all harness using supplied cable ties.
  54. Test the trailer patch function using a light board or multi-meter.
  55. Re-fit all removed parts (from step 1-6, 11-30 in reverse) and secure all fasteners, ensuring there are no squeaks or rattles.
  56. The RPA function can be disabled via a switch next to the gear shifter.
  57. Place the fitting instructions in the glove box after fitment.
- 





## CUSTOMER INFORMATION

PLACE THESE INSTRUCTIONS IN THE VEHICLE'S GLOVEBOX AFTER INSTALLATION

**THANK YOU FOR PURCHASING TRAILBOSS. WITH CORRECT MAINTENANCE AND CARE THIS PRODUCT WILL PROVIDE A LIFETIME OF TROUBLE-FREE OPERATION.**

### **TOWBAR MAINTENANCE AND CARE:**

1. Trailboss recommend that the towbar LUG or TBM (Trailer Ball Mount) Pull Pin and R-clip are removed and stored when not in use. Removal of LUG or TBM (Trailer Ball Mount) is advisable when not in use to assist with any of the following.
  - Ensure rear number plate is not obscured.
  - Allow maximum available departure angle and prevent any potential interference.
  - Prevent possible interference with vehicles reverse sensors or camera detecting a tow ball mount as an obstruction during reversing.
  - Removes towball mount as an obstruction for when moving around the rear of the vehicle.
2. Trailboss recommends routine inspection of your towbar to ensure trouble free towing.
  - Bolt security and tension should be regularly inspected and checked for correct tension. Replace any worn or defective parts with suitable grade & class fasteners. Inspection should be requested to coincide with vehicle major services.
3. It is the owner's responsibility to ensure towing and down ball weight capacities of the towing vehicle are not exceeded.
  - Towing and down ball weights allowable may differ according to model variations. Please refer to owner's manual or vehicle dealer to confirm exact rating for your vehicle model variant.
  - It is not uncommon for the vehicle tow rating to differ from the towbar rating. When this occurs, the lesser rating must be adhered to.
  - For vehicles fitted with enhanced vehicle functions that may be altered/changed when towing i.e Trailer sway mitigation, blind spot detection, adaptive cruise control etc. Please consult owner's manual to understand changes enabled when towing and after towing.

### **WARRANTY INFORMATION:**

Trailboss Towbars are covered by a Lifetime Warranty.

Our goods come with guarantees that cannot be excluded under the Australian Consumer Law. You are entitled to a replacement or refund for a major failure and for compensation for any other reasonably foreseeable loss or damage. You are also entitled to have the goods repaired or replaced if the goods fail to be of acceptable quality and the failure does not amount to a major failure. For further details please contact customer service on 1800 812 017.

## PRO SERIES SILENT ANTI-RATTLE HITCH PIN

Your Trailboss towbar is equipped with a Pro Series Silent Anti-Rattle Hitch Pin technology to help reduce towbar tongue rattle in most driving conditions. Please ensure below instructions are understood and routine maintenance is carried out to ensure best towing experience.

Regularly inspect for wear and check the tightness of the Silent Anti-Rattle Hitch Pin. Follow instructions below to re-tighten the nut as necessary when movement and noise in the tow ball mount is noted.

- Before towing, ensure R-Clip is properly installed and hitch pin nut is installed and tensioned. Replacement parts are available from your Pro Series Distributor.

## TOWBALL MOUNT REMOVAL/INSTALLATION

### STEP 1

Insert Trailer Ball Mount (TBM) (a) into towbar hitchbox (b), aligning hole in TBM shank (c) with hole in hitchbox (d) (Fig. 1)

### STEP 2

Insert Silent Anti-Rattle Hitch Pin (e) through hole in hitchbox and hole in TBM shank (g); ensure the locators are inserted into the notches in the hitchbox (Fig. 2)

### STEP 3

Screw Silent Anti-Rattle Hitch Pin Nut (f) onto Smart Pin (g); tighten Smart Pin Nut until finger tight, ensuring TBM is restrained from up and down movement.

### STEP 4

Tighten Silent Anti-Rattle Hitch Pin Nut by turning nut a further 1/8th of a turn in the clockwise direction using a 24mm spanner (Fig. 4).

### STEP 5

Install Silent Anti-Rattle Hitch Pin R-Clip through the hole that provides best clearance or easiest access. (Fig. 5)

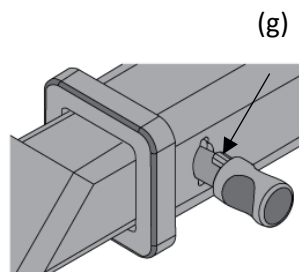
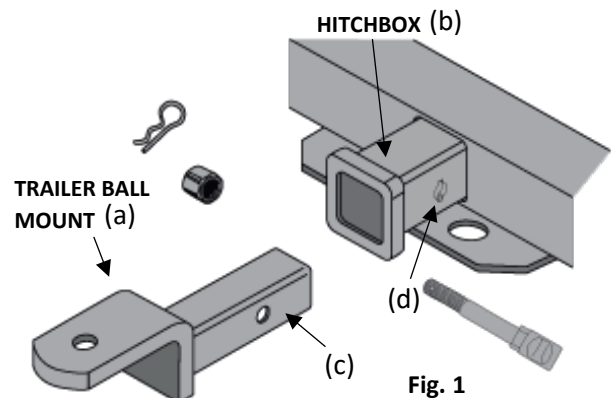


Fig. 2

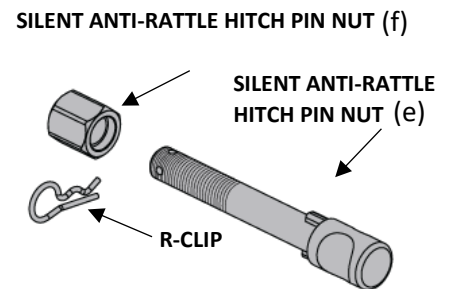


Fig. 3

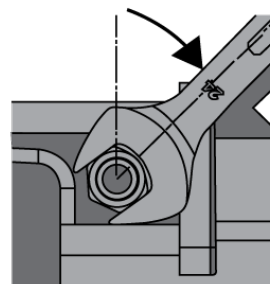


Fig. 4

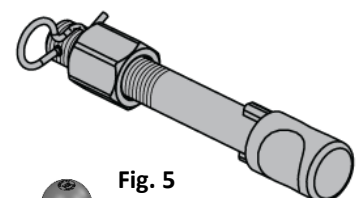


Fig. 5

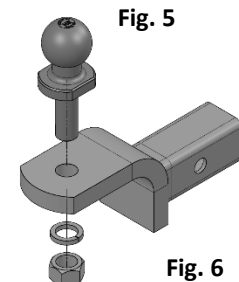


Fig. 6