

# TRAILBOSS

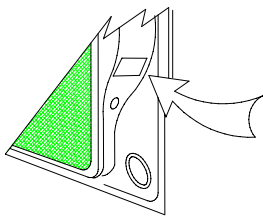
Towbar Fitting Instructions  
To Suit **AUDI Q7**  
Part Number **QTAU2L**  
Rating **3500/300** kg

## **WARNING:**

1. Do not, drill, cut, weld or otherwise modify the tow bar.
2. If you are using electric welding on a motor vehicle, **always** check that the vehicle is not equipped with electronic engine or instrument management equipment. Failure to do so could **destroy** any onboard computers. If in doubt, check with the vehicle's manufacturer.

## **General:**

1. Ensure all hardware items have been included refer to assembly diagram.
2. It is recommended that the instructions are read through and completely understood before making any attempt to fit this product.
3. Be wary of any changes to vehicle designs or other accessories that may conflict with the installation of this product.
4. Before drilling ensure that the area is clear of fuel, electrical & other components.
5. All holes drilled into the body panels shall have all burrs & swarf removed then coated with a suitable rust preventative paint.
6. For vehicles that require the bumper to be cut. Ensure cut out area is in correct position on the vehicle prior to cutting the bumper.
7. The high tensile fasteners supplied with this product were used to achieve the specified rating. If replacement is required ensure that fasteners of the same rating & quality are used. Contact an authorized **Trailboss** dealer if further information is required.
8. Ensure that all hardware is fastened to torque list below check fasteners on regular basis.
9. Tow bar load rating sticker provided with this product shall be conspicuously located on inside rear end of the driver's door. **(See diagram below).**
10. Trailboss recommends that you check your tow ball to ensure that it complies with the Australian standards **AS 4177.2.**
11. **PLEASE NOTE:** It is advised to remove your lug or tbn when not actually towing so as to produce a clear view of the vehicles registration plate if obscured, and to also provide maximum available departure angle



Place load rating sticker  
inside driver's door here

**FOR TRAILER TOWING PURPOSES ONLY**  
For towing capacity details please refer to vehicle owner's manual or to the manufacturer. Overloading can void your warranties.

## **RECOMMENDED ASSEMBLY TORQUE LISTING**

<u>Diameter</u>	<u>Grade 8.8 Bolt</u>
M6	9.5 Nm
M8	21.7 Nm
M10	43.4 Nm
M12	77.3Nm
M14	146 Nm
M16	189.8 Nm

## **Tow bar Maintenance and Care.**

Trailboss recommends that bolt torque's, as listed below, are routinely and regularly inspected and checked for correct tension. Replace any worn or defective parts.

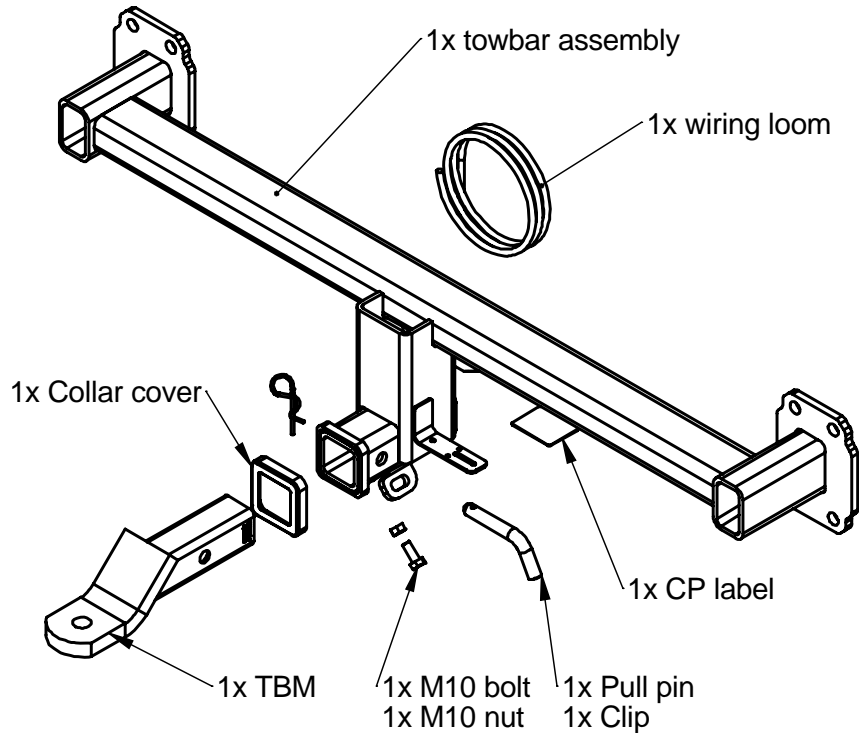
We recommended to remove Tow Ball Mounts (TBM's, tongues or lugs) when not being used for any considerable length of time.

So as to avoid injury, when not towing it is suggested that the tongue, Pull Pin and R-clip are removed then stored in a safe, clean and dry place, away from excessive moisture.

Hitch Pull Pins and spring "R" clips are regularly checked for proper installation. Replace any worn or defective parts.

# TRAILBOSS

Towbar Fitting Instructions  
To Suit **AUDI Q7**  
Part Number **QTAU2L**  
Rating **3500/300 kg**



1. Remove Skivets around wheel arches and under the bumper.
2. Lift floor board and remove plastic tray underneath to gain access to M8 nuts, remove 4x M8 nuts holding the bumper from inside vehicle cavity.
3. Remove bumper bar.
4. Remove impact beam and discard, retain bolts for reuse.
5. Fit towbar using impact beam bolts.
6. Torque all nuts to specification.
7. Remove pop out window from the bumper then refit the bumper.



Wiring Loom Fitting Instructions  
To Suit Audi Q7  
2009 - Onwards  
Part Number 100418-WL

## Wiring Loom Installation Instructions

Audi Q7  
2009 - Onwards  
Part No: 100418-WL  
ECU:04829

Tail Harness Length Required: 1800mm

**For 2011 models: 2 - 3  
Red / Black wire needs to be extended 500mm.**

**Ensure tailgate remains open during fitment to ensure that light  
signals remain on tailgate.**

**RPA can be disabled from the overhead switch.**

Wiring Loom Installation Time: Approx 50 Mins



Wiring Loom Fitting Instructions  
To Suit Audi Q7  
2009 - Onwards  
Part Number 100418-WL

1. In the luggage compartment, fold the rear seats down flat.
2. Remove the carpet floor cover.
3. Remove the storage compartment tray.
4. Dislodge the rear trim by first removing the four fasteners.
5. Disconnect the rear trim connector.
6. Remove the RHS floor carpet cover by first removing the fasteners located underneath the cargo tie down hooks.
7. Remove the fastener from the RHS upper trim.
8. Dislodge the RHS access panel cover.
9. Disconnect the AUX power socket connector.
10. Disconnect the RHS light connector.
11. Dislodge the RHS side trim.
12. Remove the RHS lower trim.
13. On the rear of the luggage compartment, reconnect the rear trim panel.

**Note: Ensure to reconnect the rear trim panel before continuing with any of the wiring fitment, this will ensure the micro switch will trigger the light output on the tailgate.**

**Note: Ensure tailgate remains open during fitment to ensure light signals remain on tailgate.**

14. Dislodge the vehicle ECU to gain access to the connectors.
15. Following the table below, connect the ezy taps to the vehicle harness wires on the blue & brown connectors, then connect the trailer harness terminals to the corresponding wires.

Trailer Patch	Vehicle Connector	Function	Connector / Terminal #
GREEN/BLACK	BLUE/RED	R.IND	BROWN / TERM. 9
YELLOW/BLACK	BLUE/RED	L.IND	BROWN / TERM. 11
BROWN/BLACK	GREY/YELLOW	TAIL	BROWN / TERM 12
RED/BLACK	BLACK/GREEN	BRAKE	BLUE

**Build Date 2011:**

Function	Trailer Patch	Vehicle Connector
R.IND	GREEN / BLACK	BLACK / GREEN
L.IND	YELLOW / BLACK	BLACK / WHITE
TAIL	BROWN / BLACK	WHITE / YELLOW



Wiring Loom Fitting Instructions  
To Suit Audi Q7  
2009 - Onwards  
Part Number 100418-WL

**For 2009 and 2011 models only**

16. Connect the trailer harness ground ring terminal to the vehicle stud located behind the luggage compartment fuse panel, using an M6 nut (not supplied).
17. Route the trailer harness black/white reverse wire down towards the RHS vehicle grommet.

**For 2011 models only.**

18. Route the trailer harness extended Red/Black wire down towards the RHS vehicle grommet.
19. From the outside of the vehicle, dislodge the RHS rear grommet and pull the vehicle harness through the grommet hole.
20. Cut the tape on the vehicle harness to expose the wires.
21. Route the trailer harness reverse black/white wire terminal through the grommet hole.
22. Connect the trailer harness black/white wire terminal to the ezy tap.
23. Re-fit the vehicle harness grommet, ensuring it is seated correctly

Trailer Patch	Vehicle Connector	Function
BLACK/WHITE	GREEN/BROWN	REVERSE

**For the 2011 models only.**

Function	Trailer Patch	Vehicle Connector
BRAKES	RED/BLACK	RED/YELLOW

24. In the luggage compartment, connect the 12-way trailer harness connector to the ECU.
25. Apply double sided tape to the ECU.
26. Mount the ECU securely to the vehicle sheet metal as shown.
27. From the outside of the vehicle, drill a Ø31mm hole in the area behind the RHS mud-flap near the vehicle grommet.
28. File down any rough or sharp edges and spray on rust inhibitor.
29. From the outside of the vehicle, route the tail harness (tail length 1800mm) through the previously drilled grommet hole.
30. Ensure the tail harness grommet is seated correctly.
31. Secure the grommet in place with a cable tie (not supplied).
32. Mount the tail harness socket to the towbar mounting bracket using M4 fasteners (not supplied).
33. Connect the 8-way tail harness connector to the trailer harness 8-way mating connector.



Wiring Loom Fitting Instructions  
To Suit Audi Q7  
2009 - Onwards  
Part Number 100418-WL

34. Connect the 1-way add-a-fuse harness connector to the 1-way trailer harness mating connector.
35. Insert the supplied 20-amp fuse into the upper slot of the add-a-fuse harness.
36. Plug the add-a-fuse harness into the available fuse slot on the luggage compartment fuse panel.
37. Note: If the fuse slot is taken, remove the vehicle fuse and put it in the lower slot on the add-a-fuse harness.
38. Test the Trailer socket using a light board or multi-meter.
39. Secure the all harnesses using cables ties (not supplied).
40. Re-fit all removed parts and secure all fasteners, ensuring there are no squeaks or rattles.
41. Place instructions in glove box after fitment.