

TRAILBOSS

Towbar Fitting Instructions To Suit HONDA ODYSSEY 5TH GEN CL2 Part Number HN72L Rating 1000/50 kg

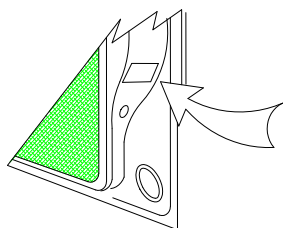
PLACE THESE INSTRUCTIONS IN THE VEHICLE'S GLOVEBOX AFTER INSTALLATION IS COMPLETED

WARNING:

1. Do not, drill, cut, weld or otherwise modify the tow bar.
2. If you are using electric welding on a motor vehicle, **always** check that the vehicle is not equipped with electronic engine or instrument management equipment. Failure to do so could **destroy** any onboard computers. If in doubt, check with the vehicle's manufacturer.
3. The high tensile fasteners supplied with this product were used to achieve the specified rating. If replacement is required ensure that fasteners of the same rating & quality are used. Contact an authorised **Trailboss** dealer if further information is required.
4. If TBM is used in inverted position tow ball may make contact with rear tailgate when lowered, which could cause damage.

General:

1. Ensure all hardware items have been included refer to assembly diagram.
2. It is recommended that the instructions are read through and completely understood before making any attempt to fit this product.
3. Be wary of any changes to vehicle designs or other accessories that may conflict with the installation of this product.
4. Before drilling ensure that the area is clear of fuel, electrical & other components.
5. All holes drilled into the body panels shall have all burrs & swarf removed then coated with a suitable rust preventative paint.
6. For vehicles that require the bumper to be cut. Ensure cut out area is in correct position on the vehicle prior to cutting the bumper.
7. The high tensile fasteners supplied with this product were used to achieve the specified rating. If replacement is required ensure that fasteners of the same rating & quality are used. Contact an authorized **Trailboss** dealer if further information is required.
8. Ensure that all hardware is fastened to torque list below check fasteners on regular basis.
9. Tow bar load rating sticker provided with this product shall be conspicuously located on inside rear end of the driver's door. **(See diagram below).**
10. Trailboss recommends that you check your tow ball to ensure that it complies with the Australian standards **AS 4177.2**.
11. **PLEASE NOTE:** It is advised to remove your LUG or TBM when not actually towing so as to produce a clear view of the vehicles registration plate if obscured, and to also provide maximum available departure angle



Place load rating sticker
inside driver's door here

FOR TRAILER TOWING PURPOSES ONLY
For towing capacity details please refer to vehicle owner's manual or to the manufacturer. Overloading can void your warranty.

RECOMMENDED ASSEMBLY TORQUE LISTING

Diameter	Grade 8.8 Bolt
M6	9.5 Nm
M8	21.7 Nm
M10	43.4 Nm
M12	77.3Nm
M14	146 Nm

Tow bar Maintenance and Care.

Trailboss recommends that bolt torque's, as listed below, are routinely and regularly inspected and checked for correct tension. Replace any worn or defective parts.

We recommended to remove Tow Ball Mounts (TBM's, tongues or lugs) when not being used for any considerable length of time. So as to avoid injury, when not towing it is suggested that the tongue, Pull Pin and R-clip are removed then stored in a safe, clean and dry place, away from excessive moisture.

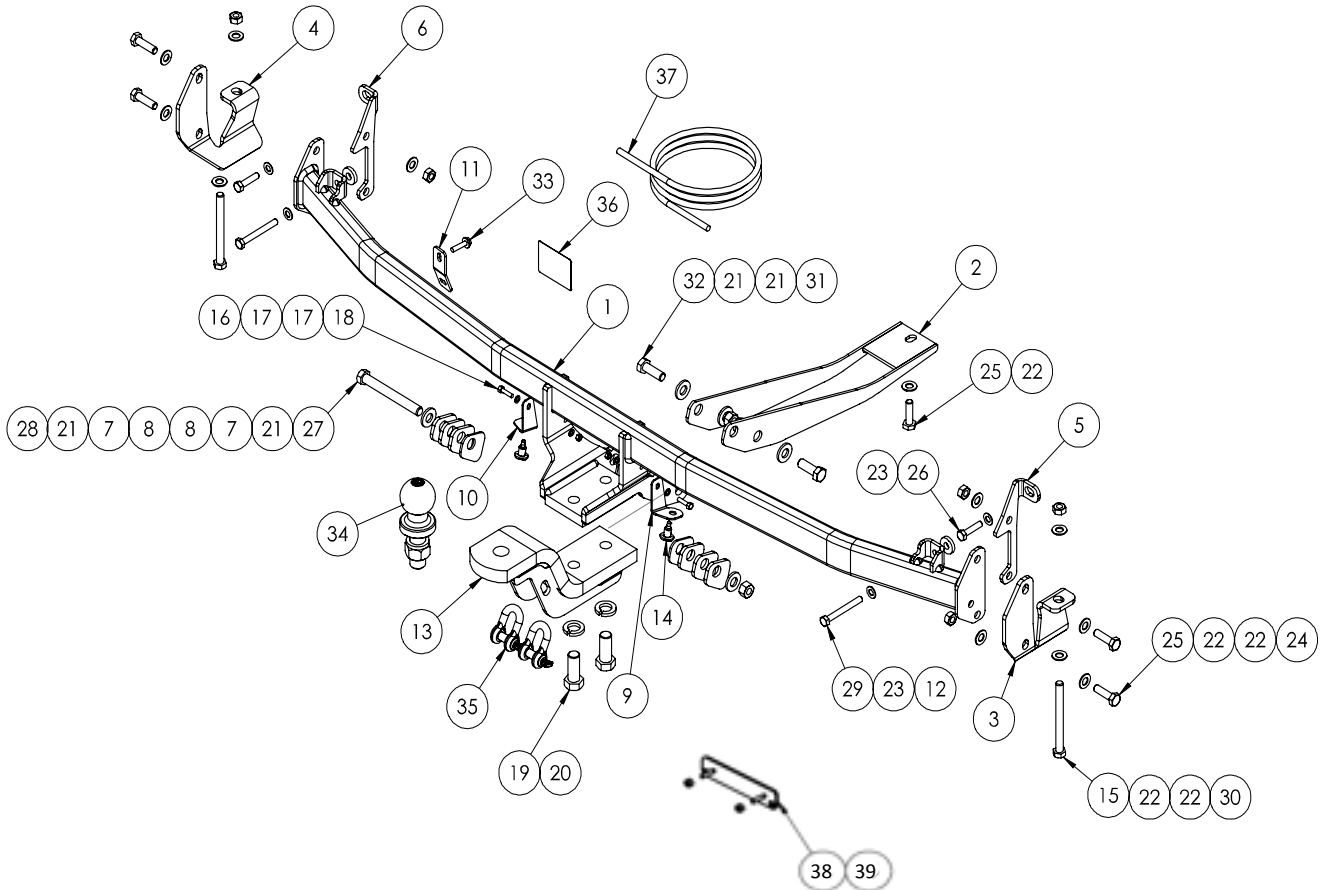
Hitch Pull Pins and spring "R" clips are regularly checked for proper installation. Replace any worn or defective parts.

Cequent Customer Service
Ph: 1800 812 017 Fax: 03 9898 3299
Email: info@cequent.com.au
Post: PO Box 4050, Dandenong South VIC 3175



Towbar Fitting Instructions
To Suit **HONDA ODYSSEY 5TH GEN CL2**
Part Number **HN72L**
Rating **1000/50 kg**

PLACE THESE INSTRUCTIONS IN THE VEHICLE'S GLOVEBOX AFTER INSTALLATION IS COMPLETED



Cequent Customer Service
Ph: 1800 812 017 Fax: 03 9898 3299
Email: info@cequent.com.au
Post: PO Box 4050, Dandenong South VIC 3175



Towbar Fitting Instructions
To Suit **HONDA ODYSSEY 5TH GEN CL2**
Part Number **HN72L**
Rating **1000/50 kg**

PLACE THESE INSTRUCTIONS IN THE VEHICLE'S GLOVEBOX AFTER INSTALLATION IS COMPLETED

ITEM	DESCRIPTION	QTY	ITEM	DESCRIPTION	QTY
1	HONDA ODYSSE WELDED ASSEMBLY	1	21	WASHER PLAIN 1/2x1-1/8x16G	6
2	TYRE WELL BRACKET	1	22	M10 FLAT WASHER 21x1.6MM	13
3	SIDE ARM RHS	1	23	WSHR FT M8x17x1.20 Z/P	4
4	SIDE ARM LHS	1	24	NUT HEX HD M10x1.25P G8	4
5	REAR PANEL BRACKET RHS	1	25	SET SCREW HEX HD M10x35x1.25P	5
6	REAR PANEL BRACKET LHS	1	26	BOLT HX HD M8x35x1.25P G8.8	2
7	SHIM 5MM	6	27	BOLT HEX HD M12x110x1.75P G8.8	1
8	SHIM 3MM	4	28	HEX NUT PC8 M12x1.75	1
9	BUMPER TAB RHS	1	29	BOLT M8-1.25x70 GR 10.9 Z/P	2
10	BUMPER TAB LHS	1	30	HEX NUT M10x1.5	2
11	SENSOR BRACKET	1	31	NUT HEX HD M12x1.25P G8	2
12	ROUND SPACER 5MM	2	32	SET SCREW M12-1.25x35 GR 8.8	2
13	LUG ASSY	1	33	TEK SCREW 14-20 HEX HD 22MM	1
14	BUMPER TRIM CLIP	2	34	TOWBALL 50MM	1
15	BOLT M10x110 1.5P	2	35	"D" SHACKLE 10MM	2
16	NUT HX M5-0.8 Z/P	2	36	ACRYLIC COMPLIANCE LABEL	1
17	WASHER PLAIN M5x10x1	4	37	WIRING LOOM	1
18	SET SCREW HEX HD M5x20x0.8P	2	38	VE PLUG BRACKET	1
19	BOLT ZP BLACK M16x40 2.0P	2	39	NUT NYLON LOCK HEX HD M4x0.7P G8	2
20	SPRING WASHER ZP BLACK M16	2			

Cequent Customer Service
Ph: 1800 812 017 Fax: 03 9898 3299
Email: info@cequent.com.au
Post: PO Box 4050, Dandenong South VIC 3175

TRAILBOSS

Towbar Fitting Instructions
To Suit **HONDA ODYSSEY 5TH GEN CL2**
Part Number **HN72L**
Rating **1000/50 kg**

PLACE THESE INSTRUCTIONS IN THE VEHICLE'S GLOVEBOX AFTER INSTALLATION IS COMPLETED

1. Release tail-gate. Remove 3 x torx head screws surrounding boot opening on one side.

Repeat for opposite side.



2. Remove 2 x screws from inside wheel arch well.



3. Remove 2 x screws and 3 x scrivets from underside of bumper.



Cequent Customer Service
Ph: 1800 812 017 Fax: 03 9898 3299
Email: info@cequent.com.au
Post: PO Box 4050, Dandenong South VIC 3175

TRAILBOSS

Towbar Fitting Instructions
To Suit **HONDA ODYSSEY 5TH GEN CL2**
Part Number **HN72L**
Rating **1000/50 kg**

PLACE THESE INSTRUCTIONS IN THE VEHICLE'S GLOVEBOX AFTER INSTALLATION IS COMPLETED

4. Remove 2 x torx head screws surrounding tail light. Partially remove tail-light to assist with removal of bumper.

Ensure tail-light is supported during bumper removal.



5. Carefully unclip and remove bumper from corners by depressing bumper clips along the perimeter of the bumper.

Set bumper aside in a safe location.

6. Disconnect sensor (shown) from rear panel. Carefully flatten sensor bracket or cut off using an appropriate cutting tool.

Sensor will be mounted to towbar later.



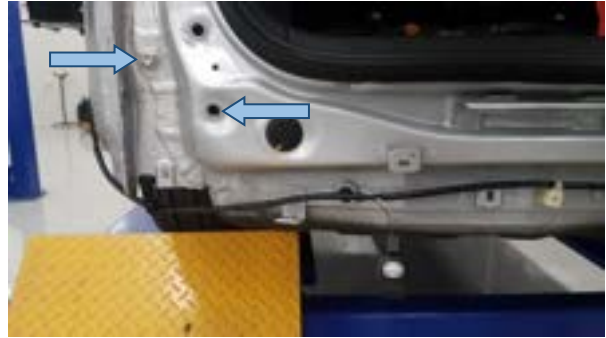
Cequent Customer Service
Ph: 1800 812 017 Fax: 03 9898 3299
Email: info@cequent.com.au
Post: PO Box 4050, Dandenong South VIC 3175

Towbar Fitting Instructions
To Suit **HONDA ODYSSEY 5TH GEN CL2**
Part Number **HN72L**
Rating **1000/50 kg**

PLACE THESE INSTRUCTIONS IN THE VEHICLE'S GLOVEBOX AFTER INSTALLATION IS COMPLETED

7. Remove 2 x hex head screws from rear panel as shown.

Repeat for opposite side and discard screws.



8. Fold rear seats forward and partially unclip rubber trim around boot opening.

9. Inside boot well, unclip cover on rear most panel to expose tire jack. Remove 1 x push in plastic clip along bottom edge of panel.



Cequent Customer Service
Ph: 1800 812 017 Fax: 03 9898 3299
Email: info@cequent.com.au
Post: PO Box 4050, Dandenong South VIC 3175

Towbar Fitting Instructions
To Suit **HONDA ODYSSEY 5TH GEN CL2**
Part Number **HN72L**
Rating **1000/50 kg**

PLACE THESE INSTRUCTIONS IN THE VEHICLE'S GLOVEBOX AFTER INSTALLATION IS COMPLETED

10. Carefully unclip plastic trim from top edge of boot opening by gently pulling trim upwards.
Set trim aside.



11. Carefully unclip trim on side wall of boot well along the rear most edge.
Repeat for opposite side.



12. Remove 1 x rubber cover from behind trim unclipped in Step 11 to expose top of chassis rail.
Repeat for opposite side.

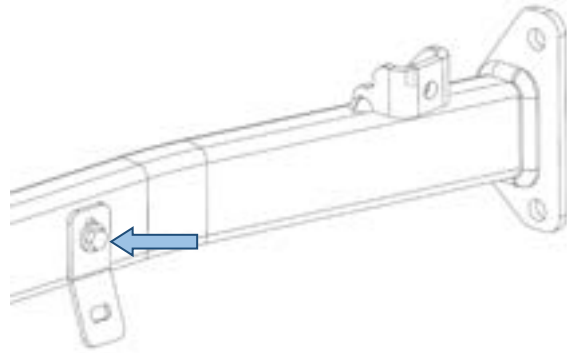


Cequent Customer Service
Ph: 1800 812 017 Fax: 03 9898 3299
Email: info@cequent.com.au
Post: PO Box 4050, Dandenong South VIC 3175

Towbar Fitting Instructions
To Suit **HONDA ODYSSEY 5TH GEN CL2**
Part Number **HN72L**
Rating **1000/50 kg**

PLACE THESE INSTRUCTIONS IN THE VEHICLE'S GLOVEBOX AFTER INSTALLATION IS COMPLETED

13. Attach new sensor bracket to LH rear face of towbar with 1 x tek screw.



14. Lift centre welded assembly up to rear panel of vehicle and loosely secure to panel with 2 x M8 x 70mm bolts complete with 1 x washer and 1 x 5mm spacer per bolt (**Note:** Spacer is placed between towbar and rear panel)



15. Remove 1 x plastic cover from underside of chassis rail covering mounting point.

Repeat for opposite side.



Cequent Customer Service

Ph: 1800 812 017 Fax: 03 9898 3299

Email: info@cequent.com.au

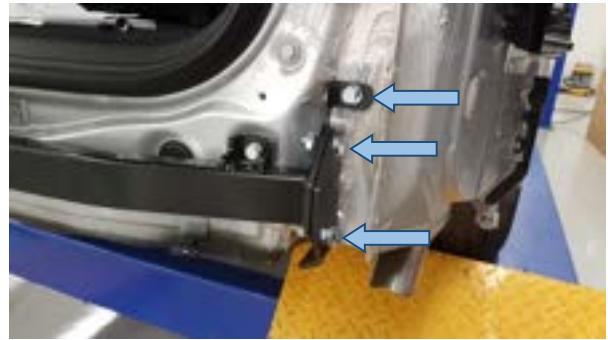
Post: PO Box 4050, Dandenong South VIC 3175

Towbar Fitting Instructions
To Suit **HONDA ODYSSEY 5TH GEN CL2**
Part Number **HN72L**
Rating **1000/50 kg**

PLACE THESE INSTRUCTIONS IN THE VEHICLE'S GLOVEBOX AFTER INSTALLATION IS COMPLETED

16. Loosely secure side arm brackets to towbar (refer to exploded diagram on page 3) with 2 x M10 x 35mm bolts complete with 2 x M10 washers and 1 x M10 nut.

Loosely secure bracket to rear panel with 1 x M8 x 35mm bolt complete with 1 x M8 washer.

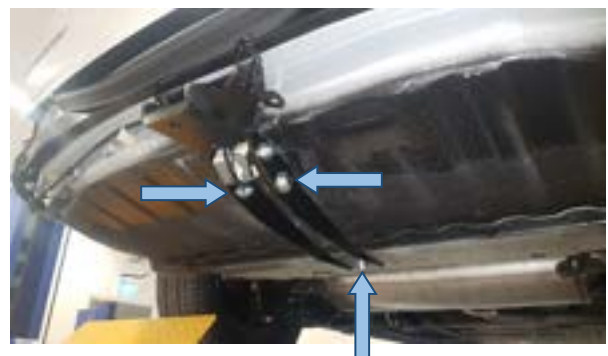


17. Loosely secure side bracket to chassis rail with 1 x M10 x 110mm bolt with 1 x M10 washer, inserted from the bottom face of the chassis rail and secured from within boot well to top of chassis rail (Refer to Step 12) with 1 x M10 washer and 1 x M10 nut.



18. Loosely secure Tire Well bracket to centre of welded assembly with 2 x M12 x 35mm bolts complete with 2 x M12 washers and 1 x M12 nut.

Secure front end of bracket to underside of vehicle tire well with 1 x M10 x 35 mm bolt complete with 1 x M10 washer.



Cequent Customer Service

Ph: 1800 812 017 Fax: 03 9898 3299

Email: info@cequent.com.au

Post: PO Box 4050, Dandenong South VIC 3175

Towbar Fitting Instructions
To Suit **HONDA ODYSSEY 5TH GEN CL2**
Part Number **HN72L**
Rating **1000/50 kg**

PLACE THESE INSTRUCTIONS IN THE VEHICLE'S GLOVEBOX AFTER INSTALLATION IS COMPLETED

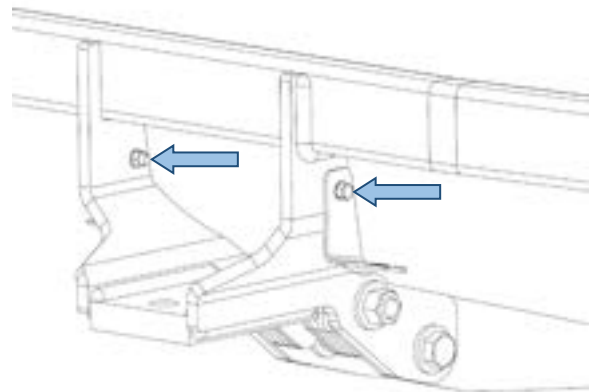
19. Secure centre of towbar welded assembly to vehicle tow hook with 1 x M12 x 110 bolt complete with 2 x M12 washers and 1 x M12 nut. Use supplied spacer shims as required to create a tight fit to tow hook.



20. Secure the supplied bumper tabs to side of towbar droppers with 1 x M5 x 20mm bolt complete with 2 x M5 washers and 1 x M5 nut.

Tighten all bolts to the torques listed below:

M5: 5 N.m
M8: 31 N.m
M10 x 1.25: 48 N.m
M10 x 1.5 (110mm): 44 N.m
M12 x 1.25: 89 N.m
M12 x 1.75 (110mm): 77 N.m
M16 (Lug): 197 N.m



21. Identify the centreline of the bumper. Using the supplied template, mark and cut the bumper using an appropriate cutting tool.

Drill 2 x M12 holes as specified on template used to secure bumper to bumper tabs.

Clean cut area and both holes after to ensure there are no sharp edges or burrs.



Cequent Customer Service

Ph: 1800 812 017 Fax: 03 9898 3299

Email: info@cequent.com.au

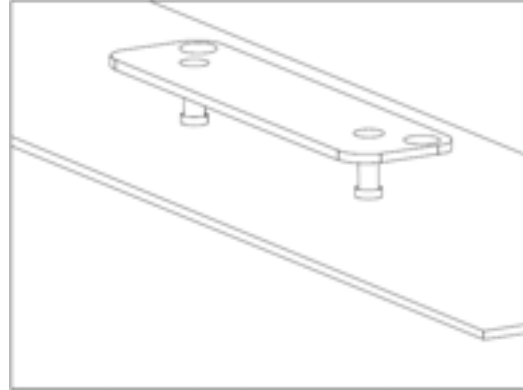
Post: PO Box 4050, Dandenong South VIC 3175



Towbar Fitting Instructions
To Suit **HONDA ODYSSEY 5TH GEN CL2**
Part Number **HN72L**
Rating **1000/50 kg**

PLACE THESE INSTRUCTIONS IN THE VEHICLE'S GLOVEBOX AFTER INSTALLATION IS COMPLETED

22. Mark out and drill 2 x \varnothing 5mm holes 69mm apart on bumper skin to support plug bracket.
23. Re-install all components following steps 1-7 in reverse. Attached bumper to bumper tabs on towbar through newly drilled holes with 2 x scrivenets supplied.



Cequent Customer Service
Ph: 1800 812 017 Fax: 03 9898 3299
Email: info@cequent.com.au
Post: PO Box 4050, Dandenong South VIC 3175



Wiring Loom Fitting Instructions
To Suit Honda Odyssey
Part Number 102010-WL

Wiring Loom Installation Instructions

Honda Odyssey

Part No: 102010-WL

ECU: 04836 (Non Branded if available)

Tail Harness Length Required: 1200mm

RPA Disable Information: N/A

Electric Brake Wire Location: Near ECU

Wiring Loom Installation Time: Approx 45 Mins



Wiring Loom Fitting Instructions
To Suit Honda Odyssey
Part Number 102010-WL

1. In the boot, fold down the rear seats by lifting the straps.
2. Remove the jack cover.
3. Remove the fur tree clip securing the rear scuff trim.
4. Loosen a small section of the weather seal from the boot liner.
5. Remove the rear scuff trim by pulling in an upwards direction.
6. Dislodge the RHS trim by pulling from the bottom corner near where the scuff trim was seated.
7. Unclip RHS trim up to the D-pillar.
Repeat for LHS.
8. At the rear right tail light, locate the 4-way tail light connectors.
9. Remove the small length of tape on the tail light side of the 4-way connectors.
10. Following the table below, connect the ezy-tap to the mating harness wire. Connect the trailer patch (102010-WL) wire to the ezy-tap.

Function	Trailer Patch	Vehicle Harness
Right Indicator	Green/ Black	Yellow

11. Reconnect RHS tail light connectors and route green/ black wire under the carpet across to the LHS floor area.
12. Tie up patch harness using the supplied Cable Ties to prevent the patch getting caught in the seat belt.
13. Route the 4-way T-patch to the LHS connectors.
14. Route the orange power wire to the small rear fuse box.
15. Route the ECU connector to the sheet metal area above the storage compartment.
16. Connect the vehicle earth terminal to the factory earthing location.
17. Near the rear left tail light, disconnect the white 4-way connectors coming from the tail lamp.
18. Patch in the mating connectors on the trailer patch.
19. Tie up patch harness using the supplied Cable Ties to prevent patch getting caught in the seatbelt.
20. Using an alcohol wipe, clean the LHS inner sheet metal area and the underside of the ECU (04836).



Wiring Loom Fitting Instructions
To Suit Honda Odyssey
Part Number 102010-WL

21. Connect the trailer patch 12-way connector to the ECU.
22. Apply double sided tape to the ECU and secure it to the vehicle sheet metal.
Note: Ensure when mounting ECU, connector is orientated downwards.
23. For reverse connection, route the trailer patch black/ white wire branch towards the D-pillar. Locate the harness that runs towards the vehicle tailgate and remove covering.
24. Following the table below, connect the ezy-tap to the mating harness wire. Then connect the trailer patch wire to the ezy-tap.

Function	Trailer Patch	Vehicle Harness
Reverse	White/ Black	Beige

25. Tie up patch harness using the supplied Cable Ties to prevent the patch getting caught in the seatbelt.
26. With the rear bumper removed, locate the vehicle blanking grommet.
27. Remove the blanking grommet and route tail harness (tail length 1200mm) up through grommet hole.
28. Seat tail harness grommet in 30mm hole and route to trailer harness blue connector on wiring loom.
29. Connect the tail harness 8-way connector to the trailer patch mating 8-way connector.
Note: Keep harness routing clear of all sharp edges, moving parts and places of extreme heat.
30. Reinstall LHS trim.
31. Remove vehicle storage cover.
32. Remove rear fuse cover.
33. Pick up the orange power wire routed the small rear fuse box earlier.
34. Insert the supplied 20Amp fuses into the add-a-fuse and then insert the add-a-fuse into the blank fuse location.
35. Connect the 1-way connector on the add-a-fuse, to the 1-way connector on the patch harness.
Note: To maintain correct electrical operation, ensure you insert the add-a-fuse fuse into the allocated slot.
36. Secure tail harness to towbar.
37. Test the trailer patch function using a light board or multi-meter.



Wiring Loom Fitting Instructions
To Suit Honda Odyssey
Part Number 102010-WL

38. Secure all harness using supplied Cable Ties.
39. Re-fit all removed parts and secure all fasteners, ensuring there are no squeaks or rattles.
40. Place the fitting instructions in the glove box after fitment.



FITTING INSTRUCTIONS

Silent Anti-Rattle Hitch Pin (PR0001)

• These fitting instructions are supplied to ensure understanding of how the HITCH PIN should be fitted and used correctly.

• Once installed, we recommend **ALL** instructions are kept and placed in the vehicle glove box.

NOTE: Routine maintenance and inspection of the towbar & HITCH PIN is required. Regularly inspect for wear and check the tightness of the Hitch Pin. Follow instructions below to retighten the nut when necessary.

***Do not tow with your vehicle if the R CLIP or the HITCH PIN is loose or missing. Replacement parts are available from your Pro Series Distributor.**

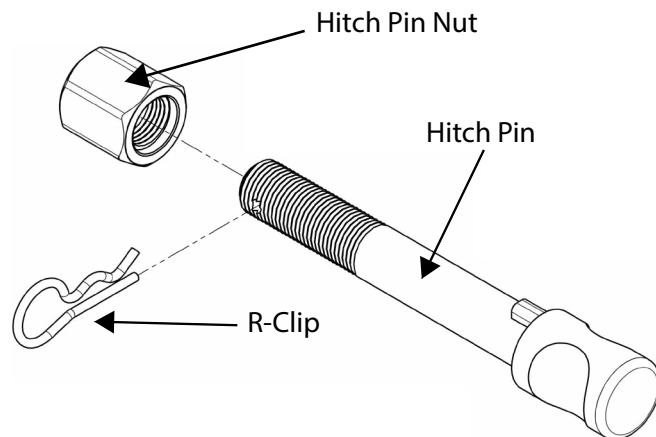


Fig 1. Silent Anti-Rattle Hitch Pin assembly

STEP 1

Insert Trailer Ball Mount (TBM) into towbar HITCHBOX, aligning hole in TBM SHANK with hole in HITCHBOX (Fig 2).

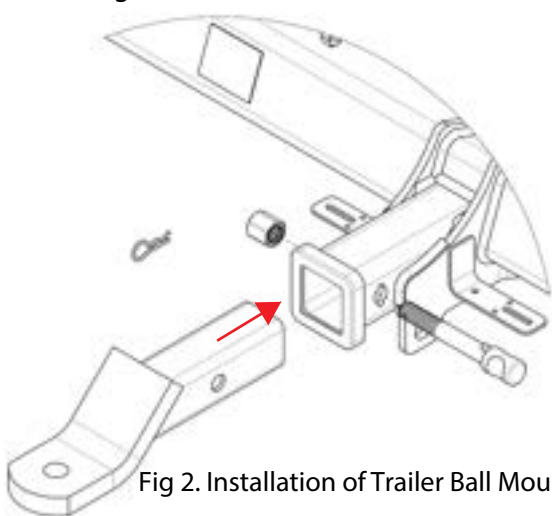


Fig 2. Installation of Trailer Ball Mount

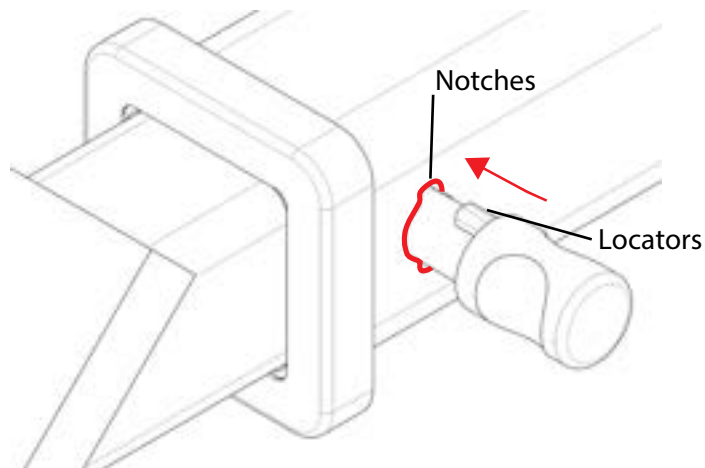


Fig 3. Silent Anti-Rattle Hitch Pin orientation

STEP 2

Insert HITCH PIN through hole in HITCHBOX and hole in TBM SHANK; ensure the LOCATORS are inserted into the NOTCHES in the HITCHBOX (Fig. 3).

STEP 3

Screw HITCH PIN NUT onto HITCH PIN ; tighten HITCH PIN NUT until finger tight, ensuring TBM is restrained from movement.

STEP 4

Tighten HITCH PIN NUT by turning nut a further 1/8th of a turn in the clockwise direction using a 24mm spanner (Fig. 4).

STEP 5

Install HITCH PIN R CLIP through the hole on the HITCH PIN (Fig. 1).

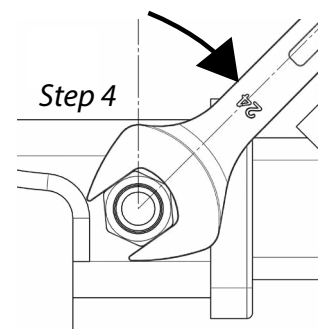


Fig 4. Tightening of Silent Anti-Rattle Hitch Pin Nut