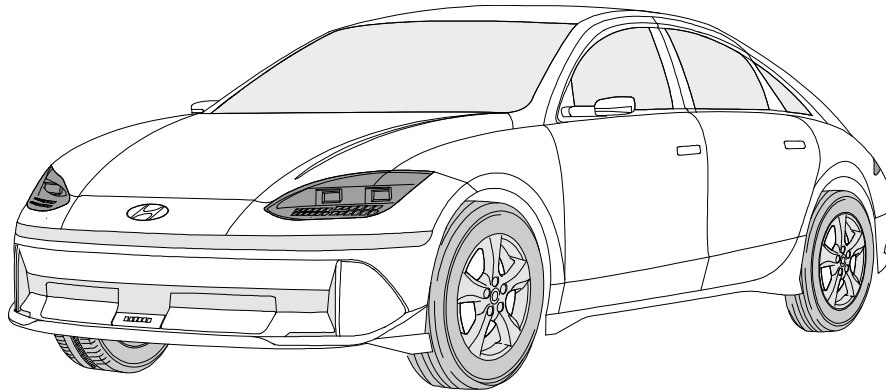




ERICH JAEGER

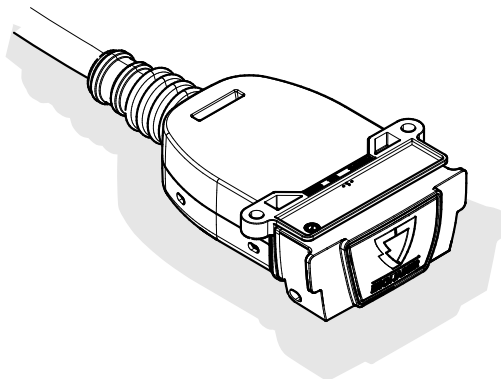
# Installation instructions



## 750158EJ-H

### HYUNDAI Ioniq 6

12/22 >>



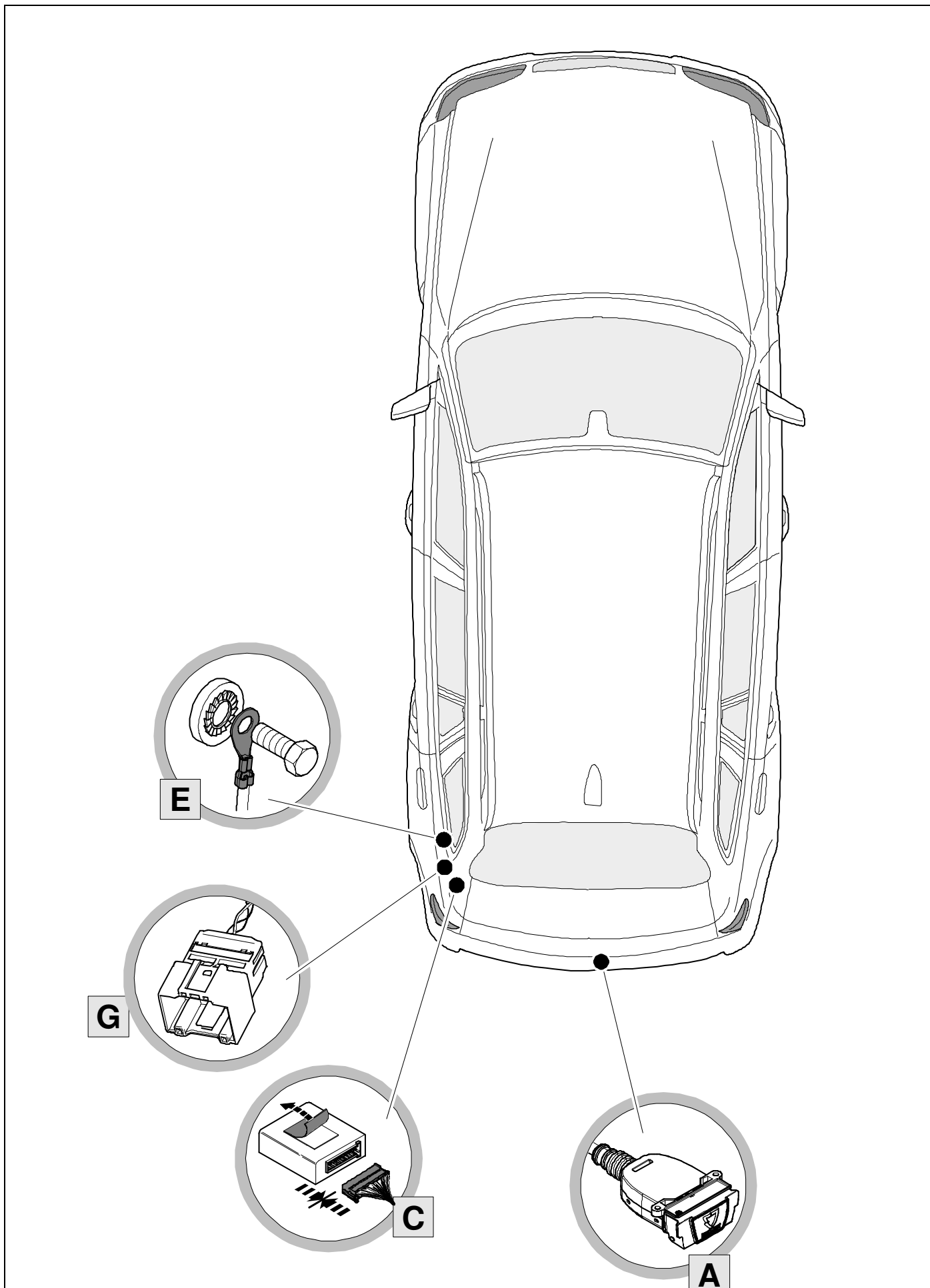
<p><b>BRAKE CONTROLLER PREPARED</b></p>	<p><b>TRAILER BULB OUT DETECTION</b></p>	<p><b>SELF-DIAGNOSTIC CAN-BUS ECU</b></p> <p>JaegerCANtroj™</p>	<p><b>MADE TOUGH WITH JAEGER FIBRE TECHNOLOGY</b></p>	
<p><b>LED + BULB</b></p>	<p><b>AUTOMATIC TRAILER DETECTION</b></p>	<p><b>WATERPROOF SOCKET INCLUDED</b></p> <p>WEATHERLOCK™</p>	<p><b>AUTOMATIC PDC DEACTIVATION</b></p>	<p><b>EV COMPATIBLE</b></p>

### Reference:

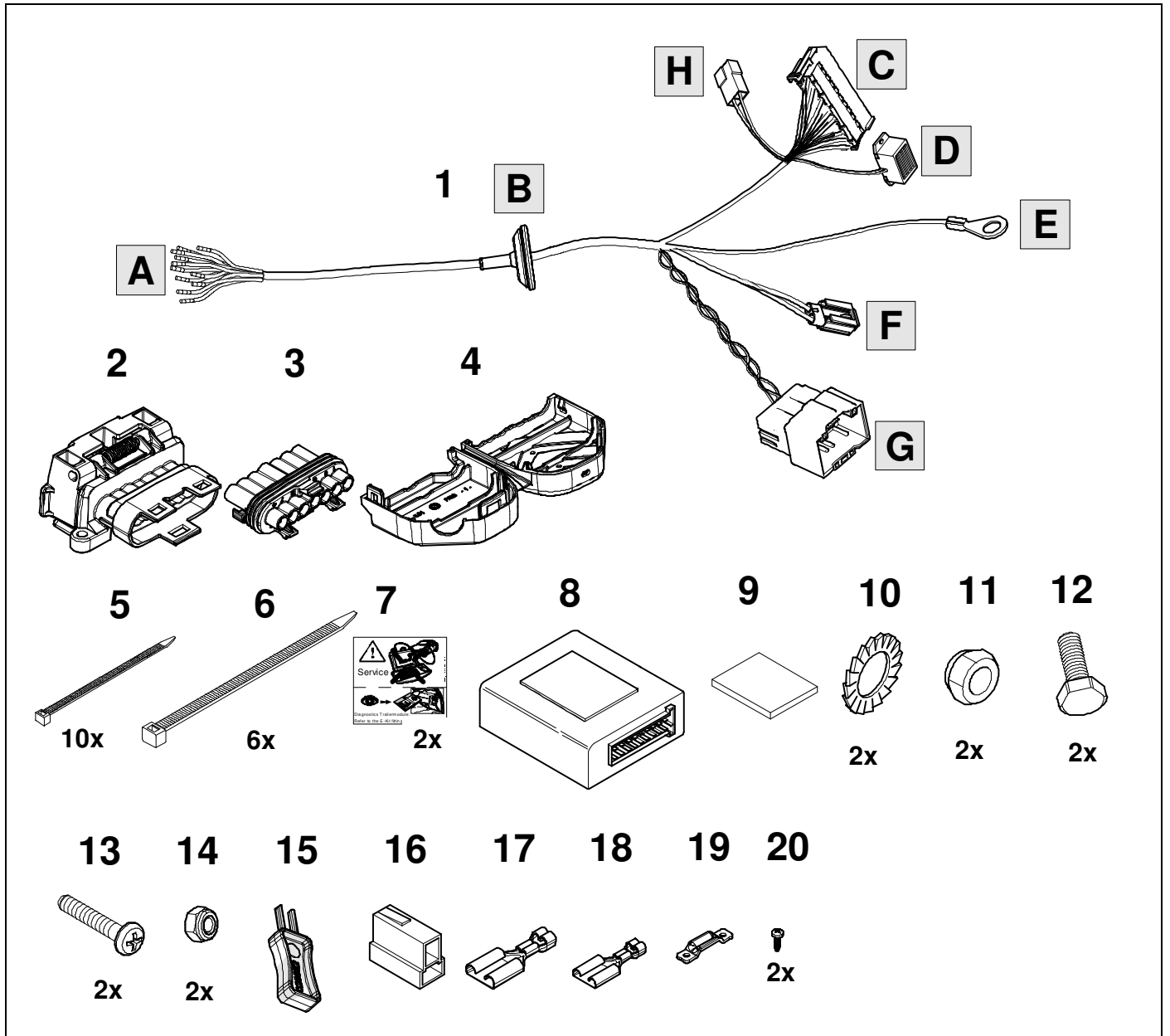
The following information must be reviewed before beginning the assembly:

- The installation instructions are to be thoroughly read.
- The installation should be carried out by qualified personnel with the relevant technical knowledge.
- The vehicle manufacturers' current technical notices and information on retrofitting must be followed.
- The removal and replacement instructions found in the current repair manuals must be followed.
- It must be ensured that the vehicle is technically suitable for the installation of a trailer hitch.

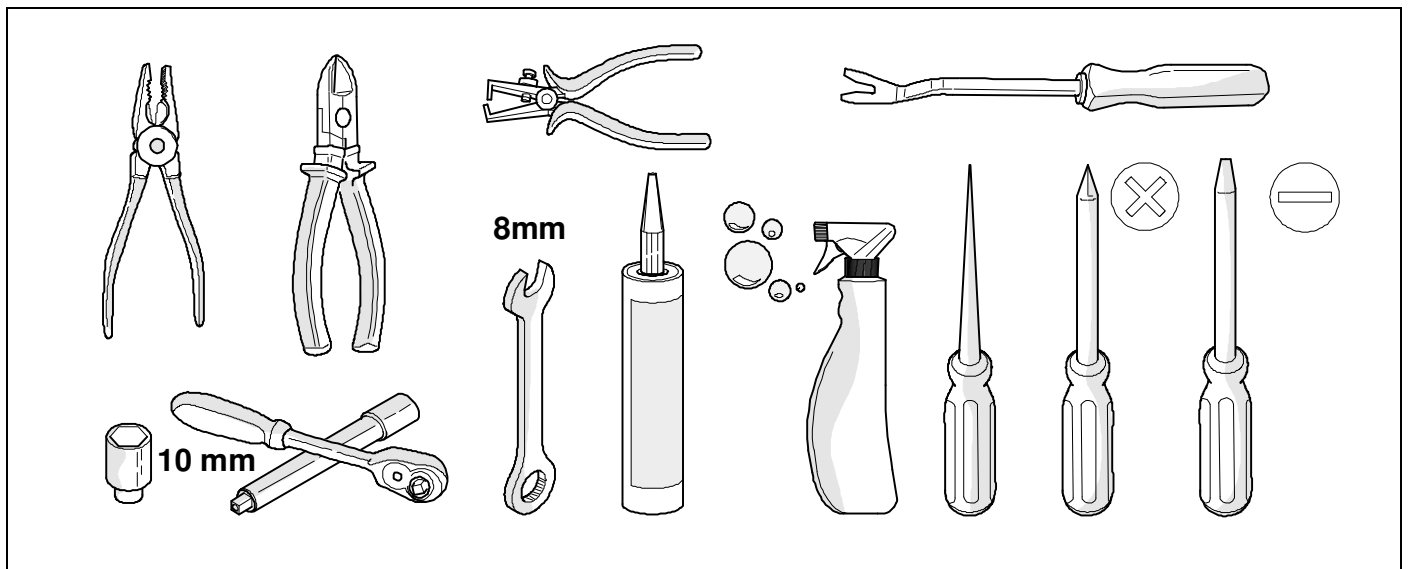
# OVERVIEW



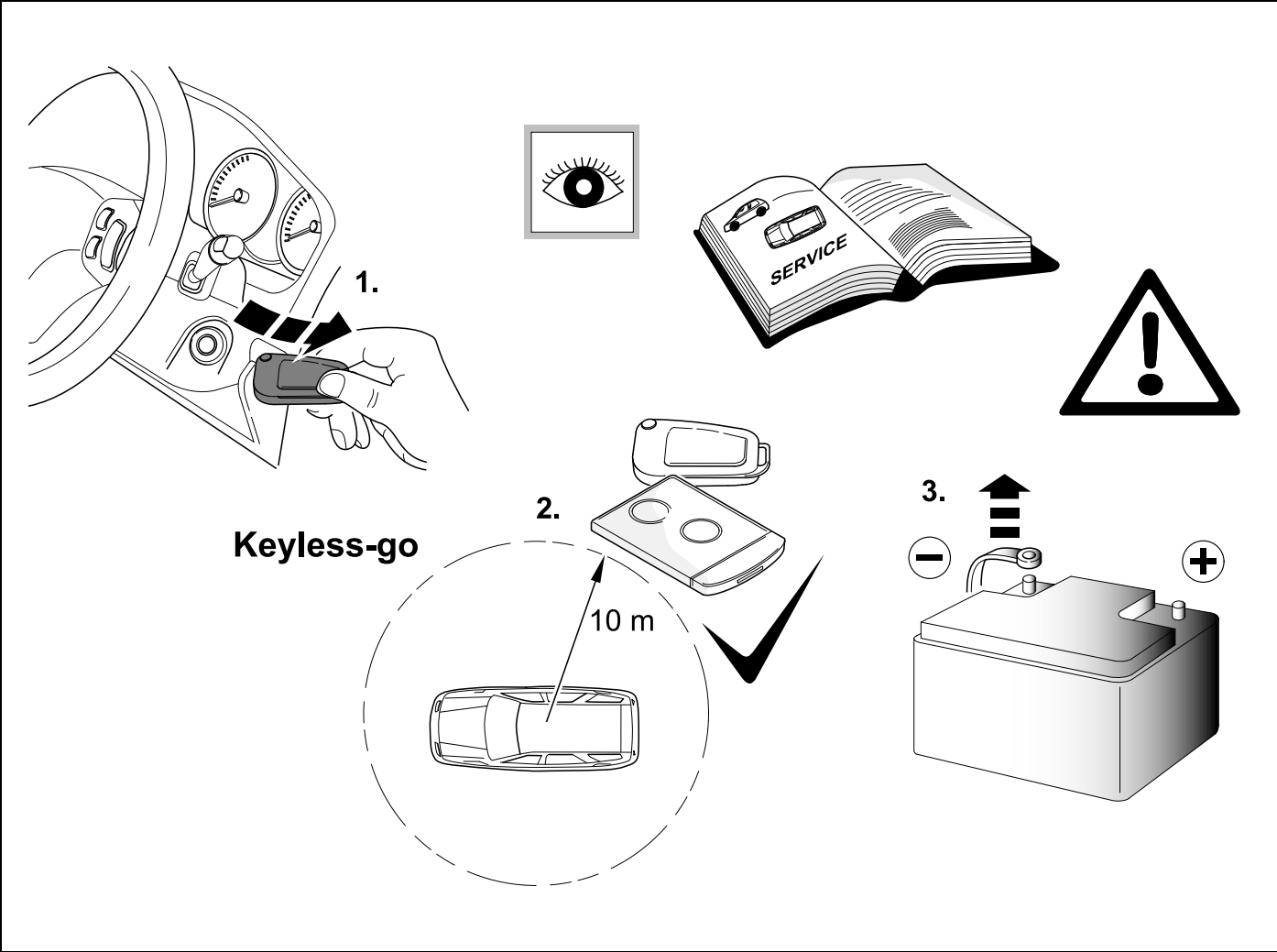
# KIT

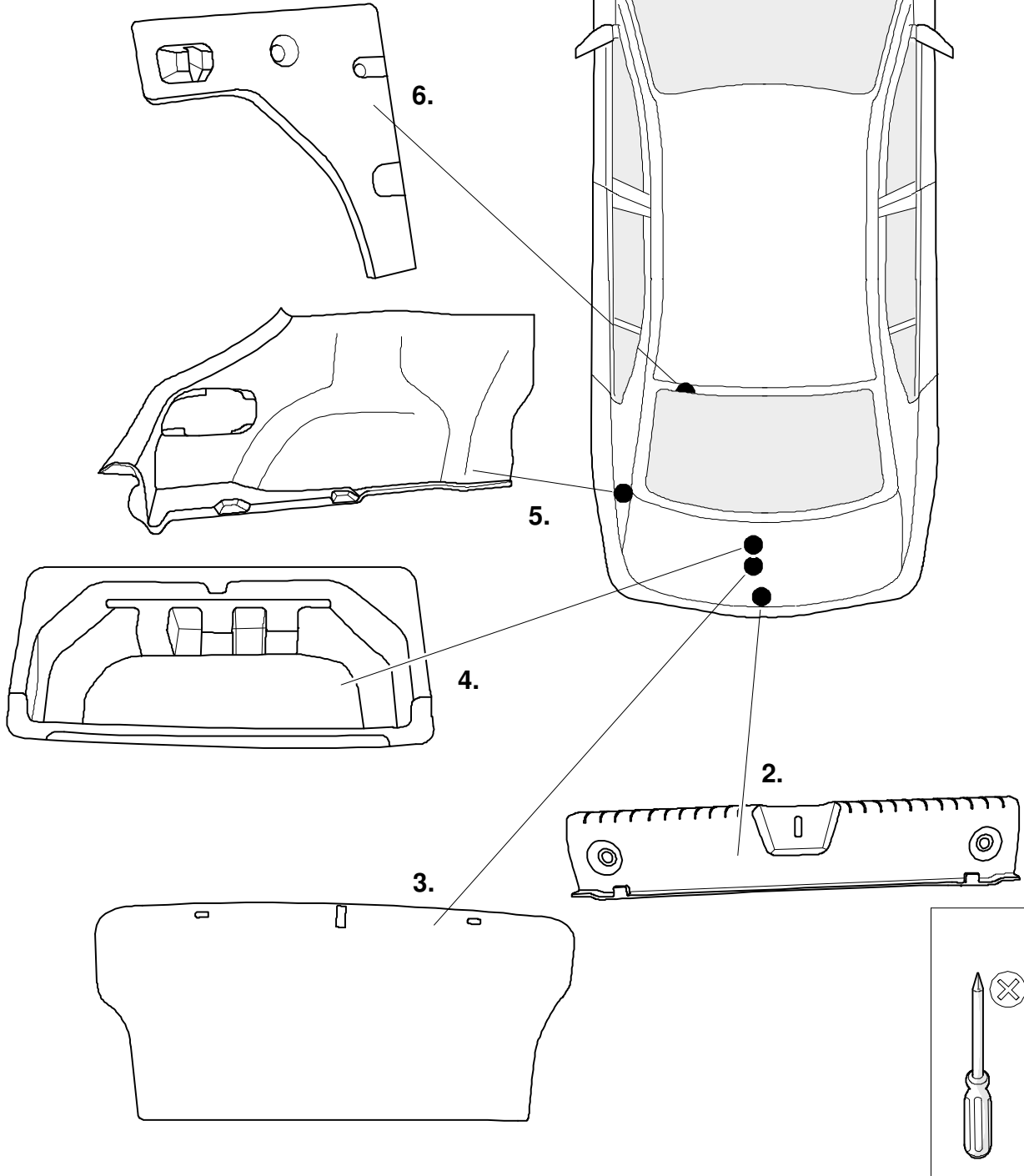
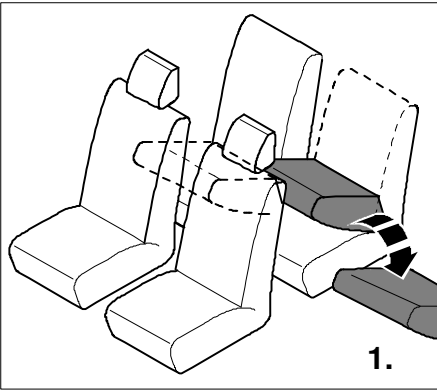


# TOOLS



1

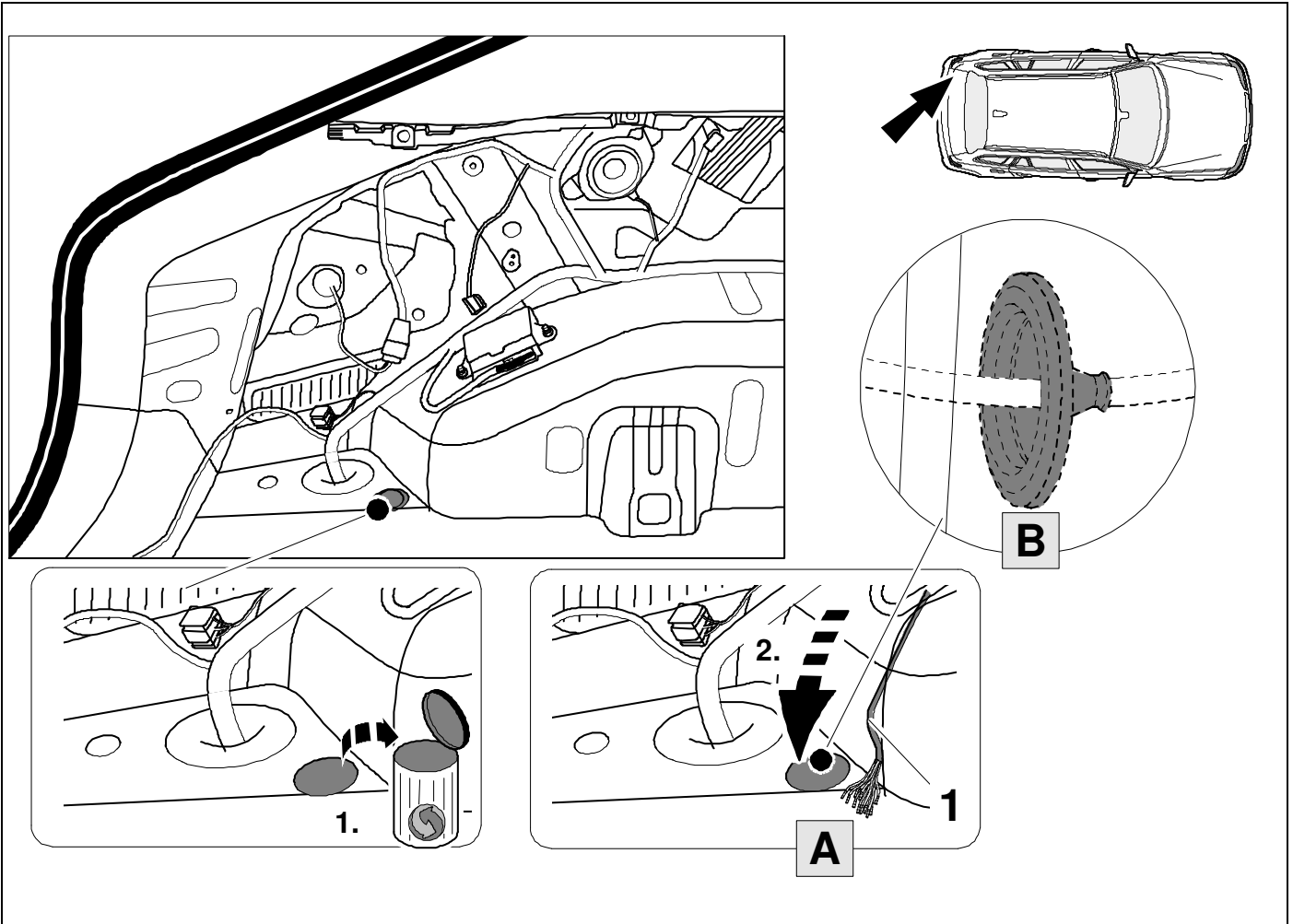




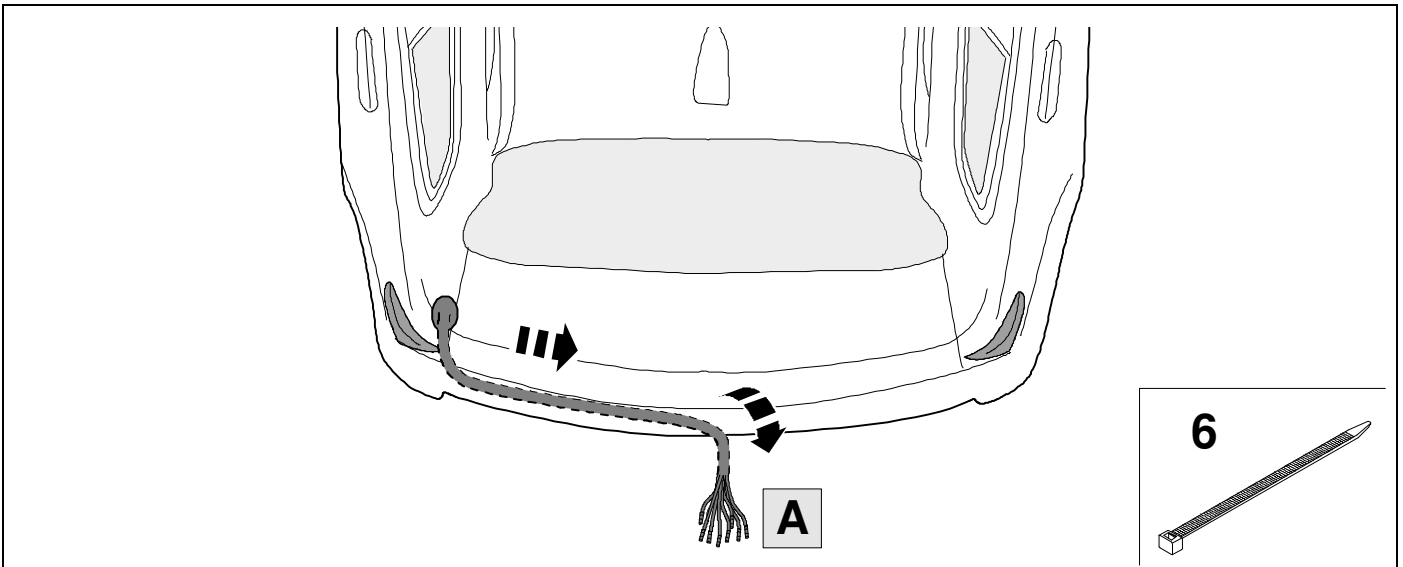
3

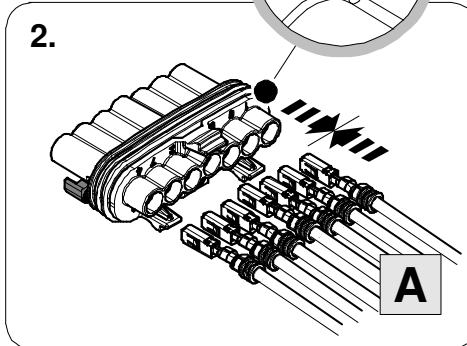
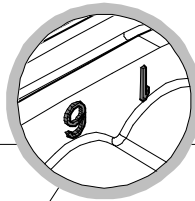
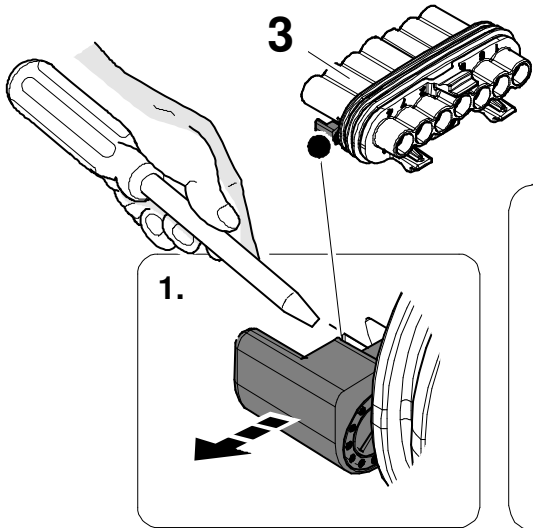


9

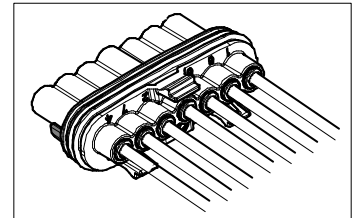
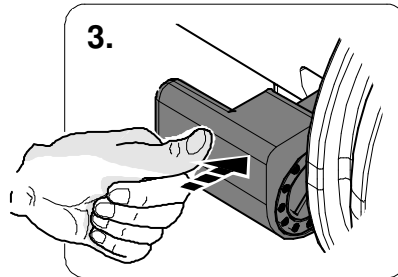
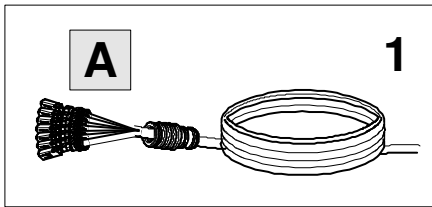


4

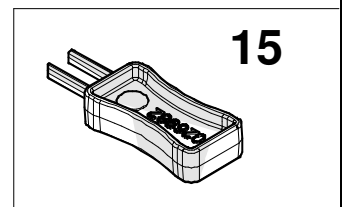
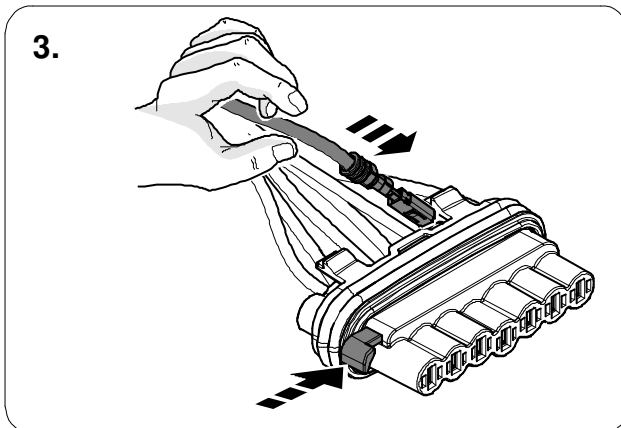
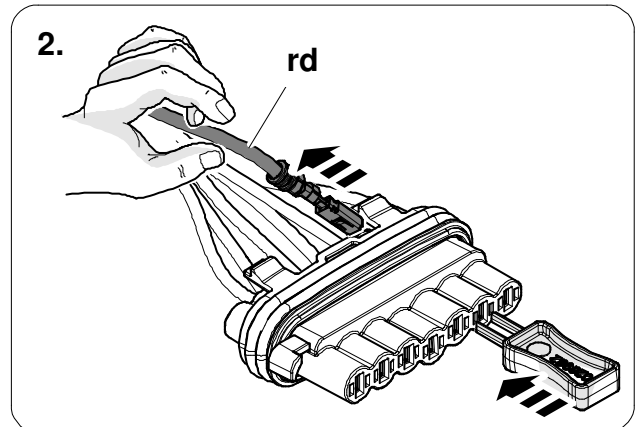
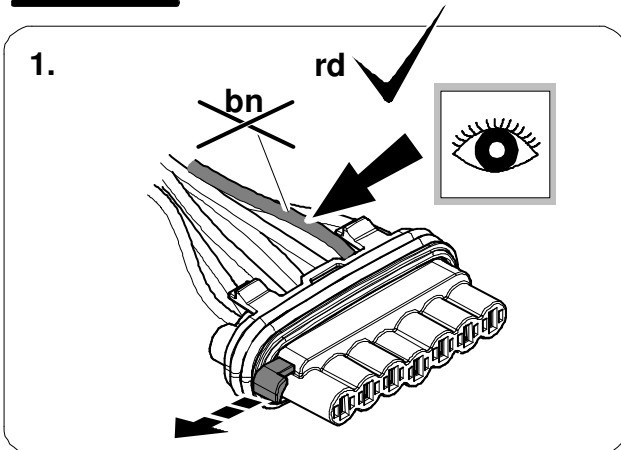




ye	1	
rd	6	
bu	5	
wh	3	
bk	2	
bn	7	
gn	4	



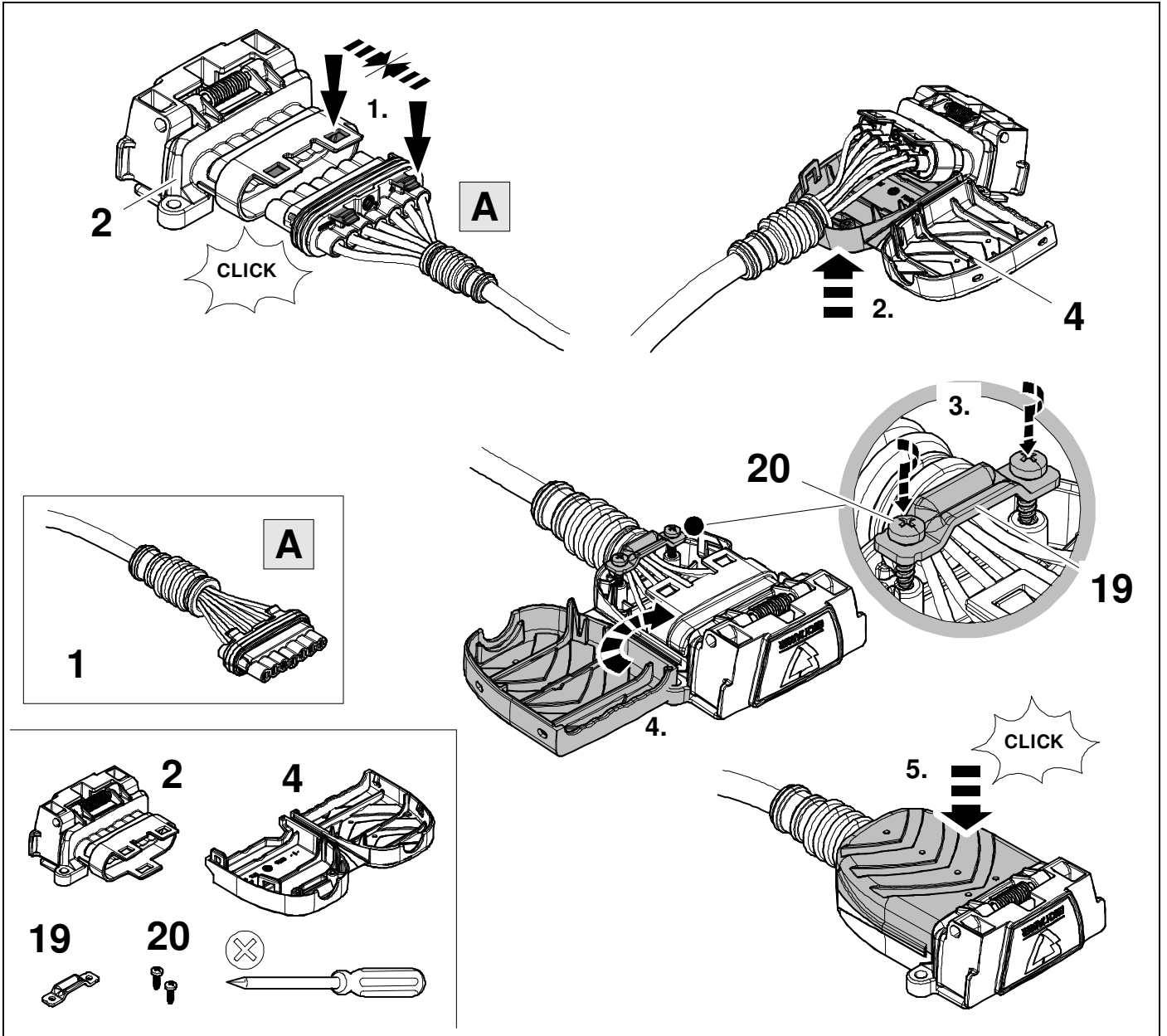
In case of wrong pin insert:



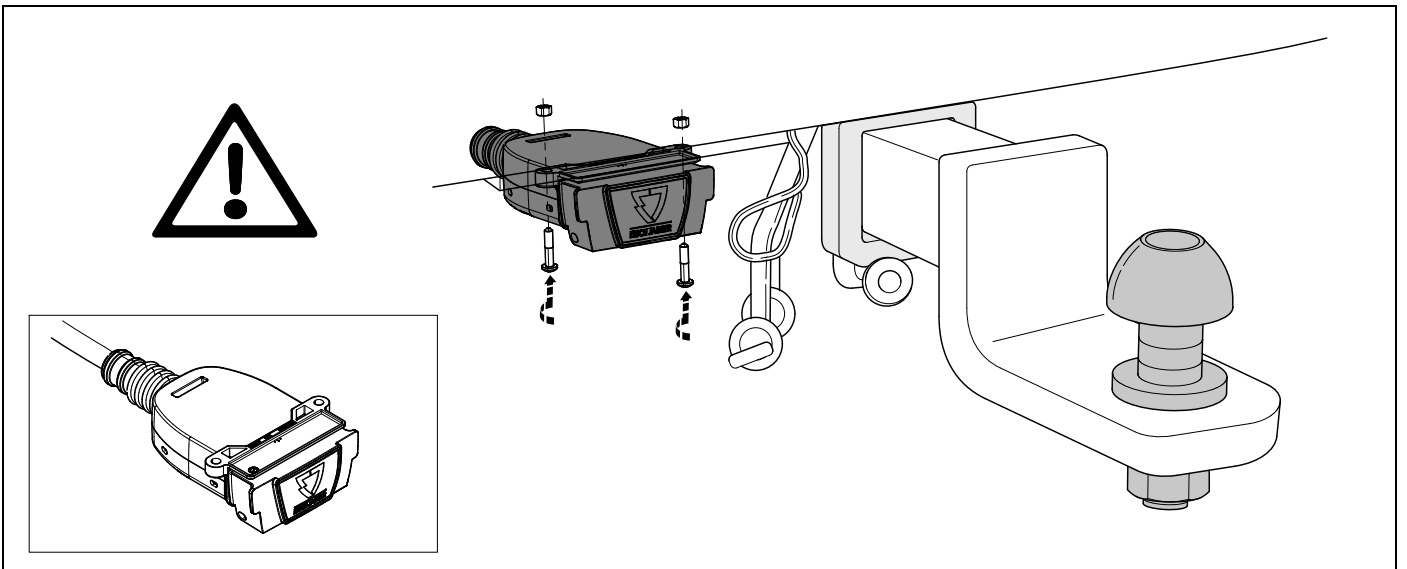
6



8



7





8



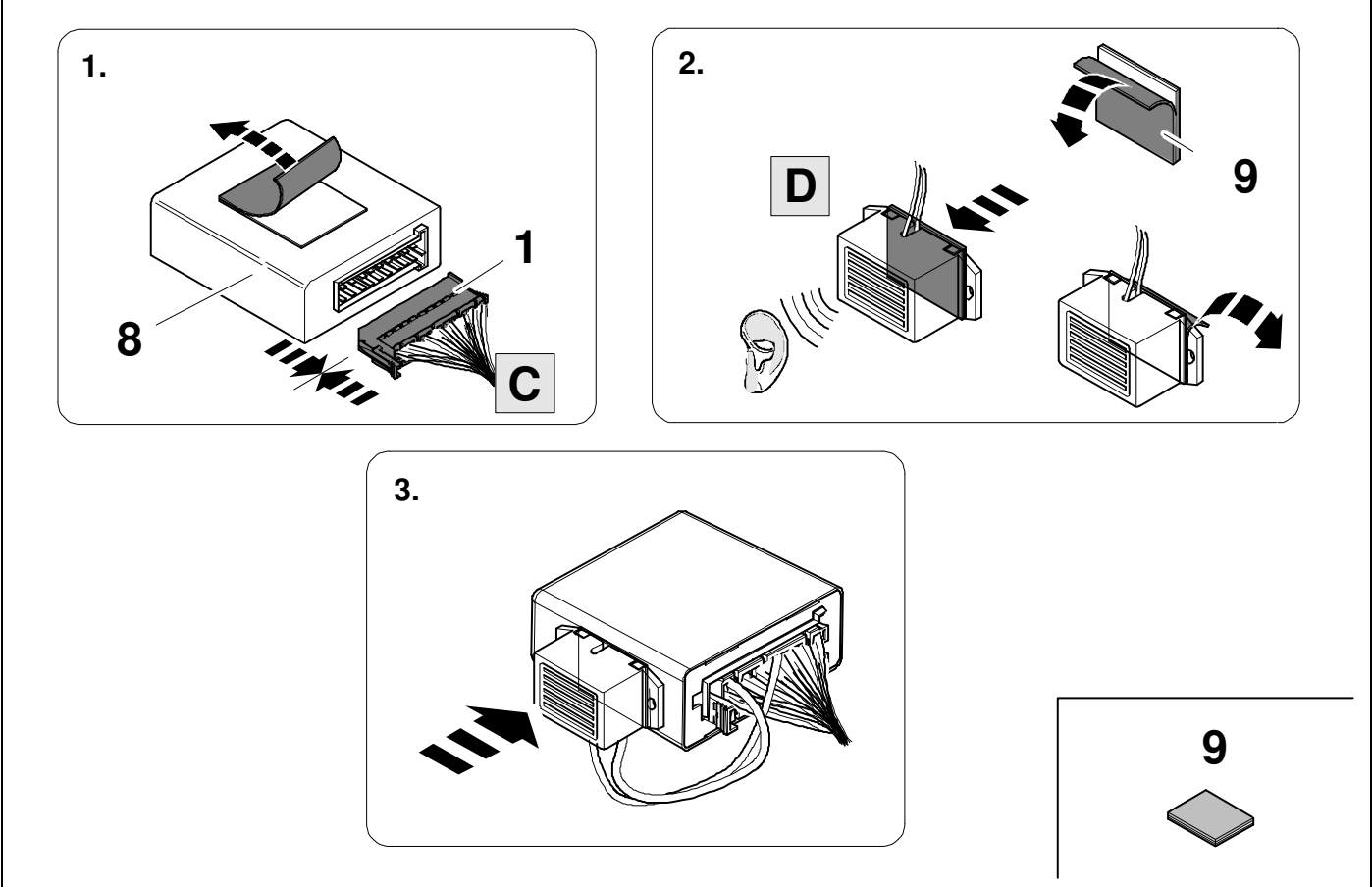
9

1	ye	
2	bk	
3	wh	
4	gn	
5	bu	
6	rd	
7	bn	

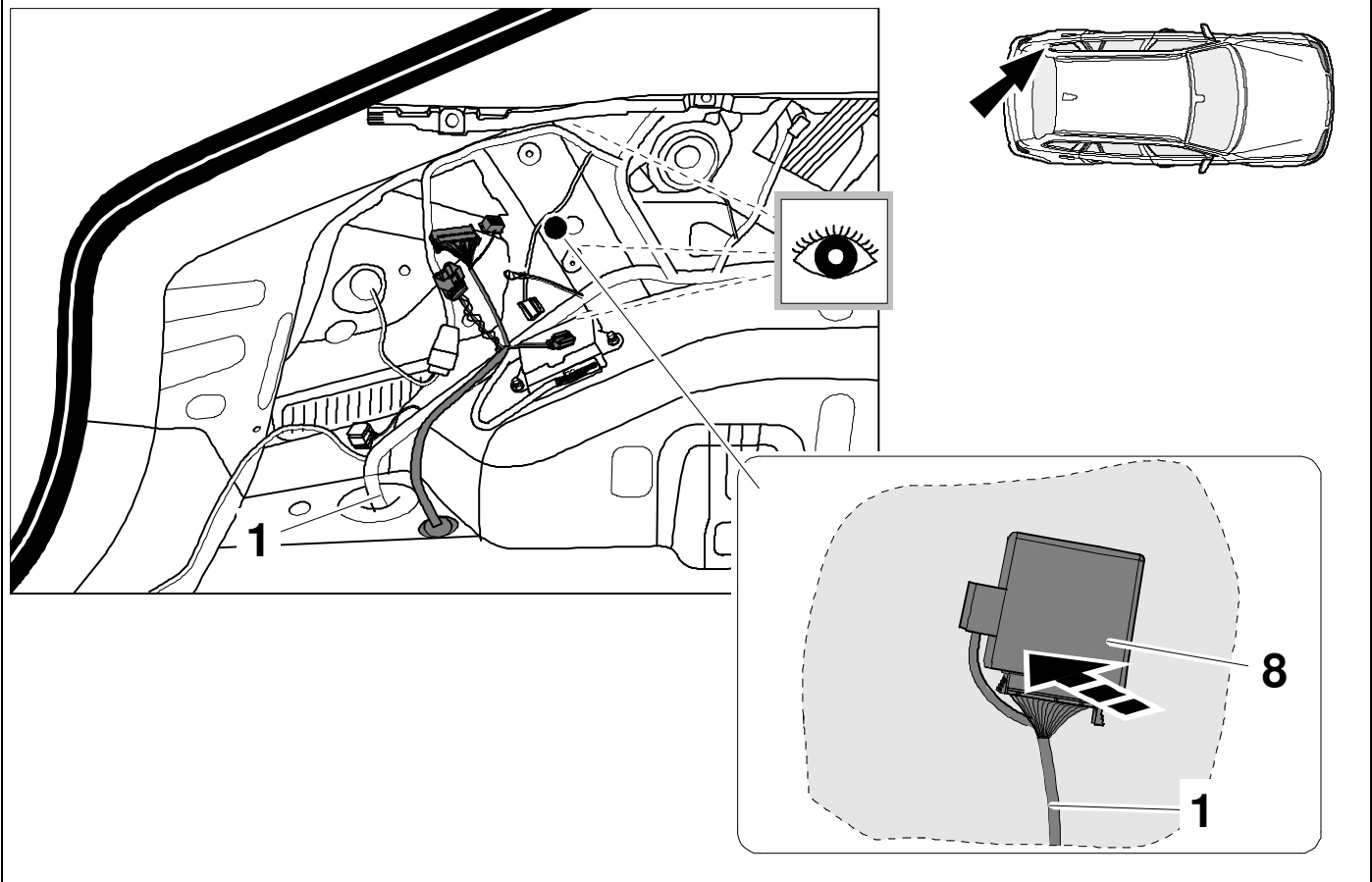
9	bk	wh	gy	gn	rd	bu	ye	bn	pu	or	no
	black	white	grey	green	red	blue	yellow	brown	purple	orange	not occupied

10

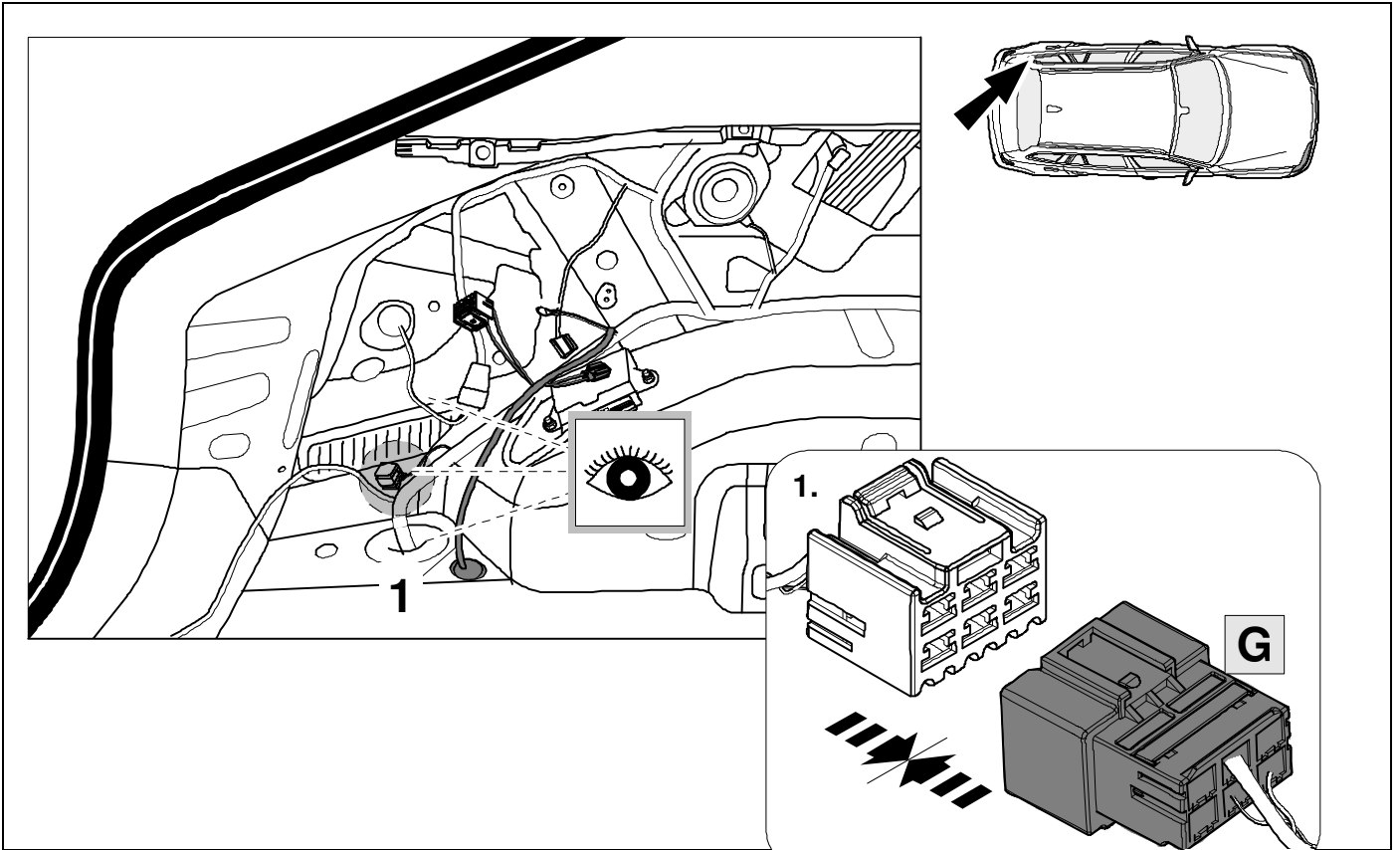
11



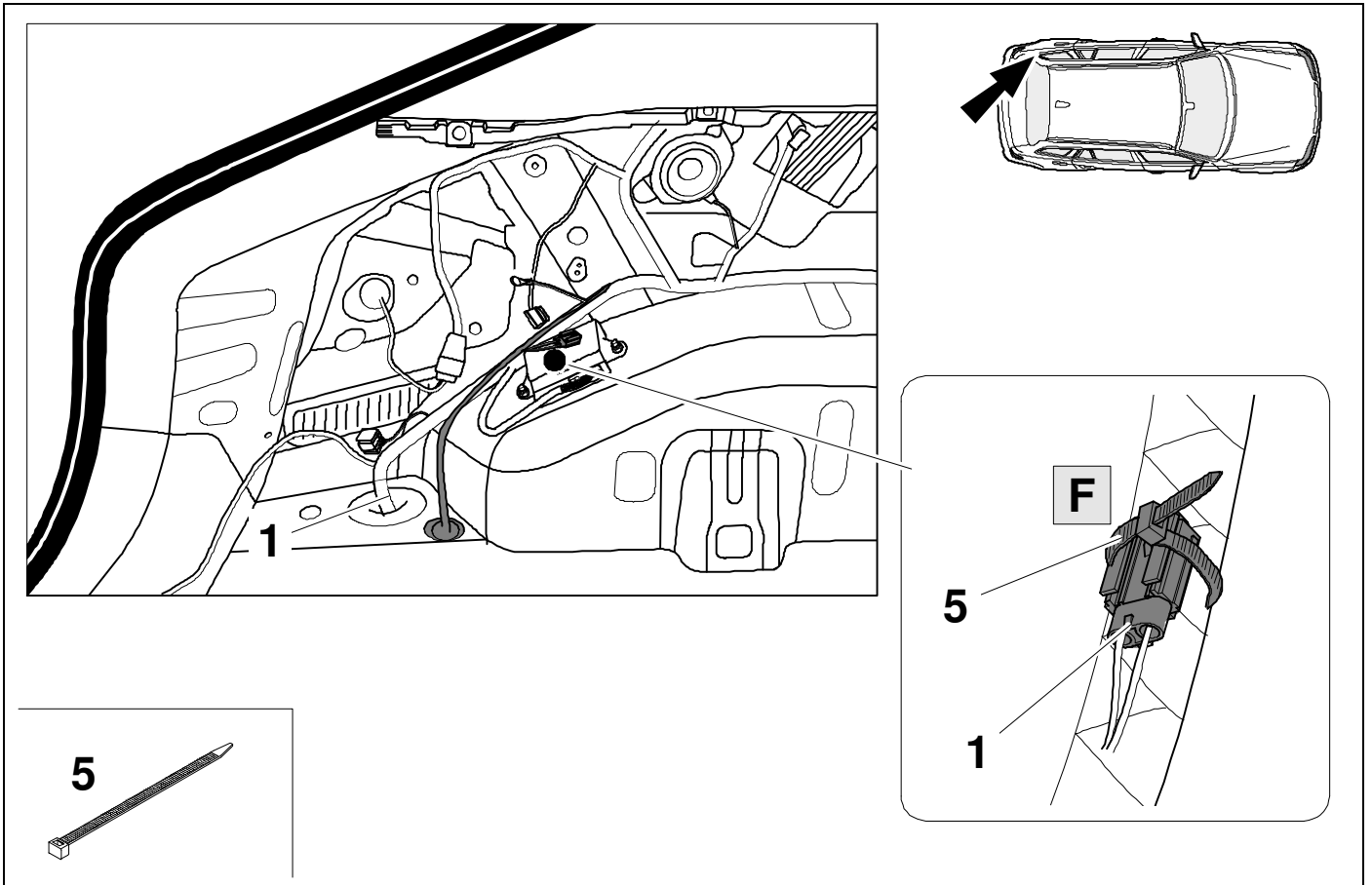
12



13

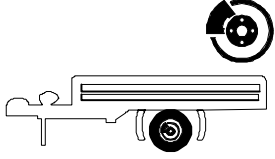


14

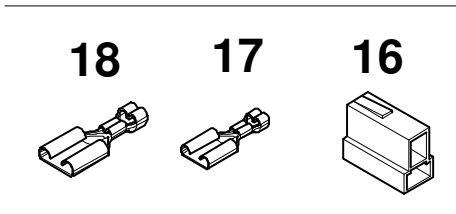
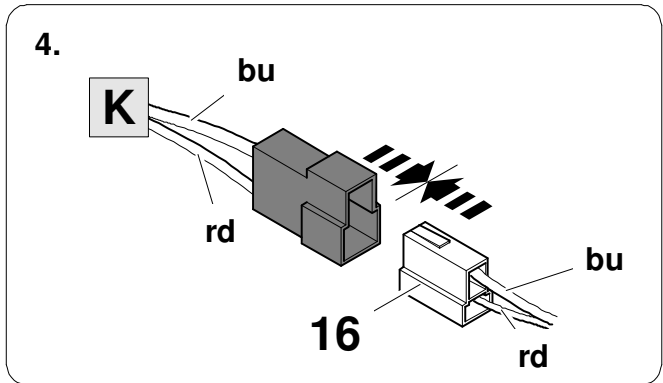
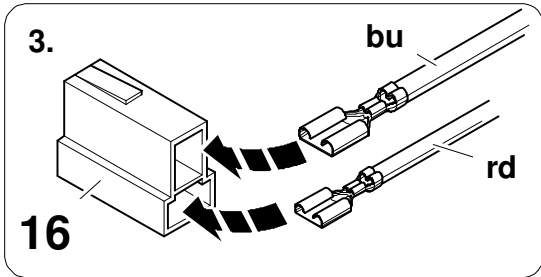
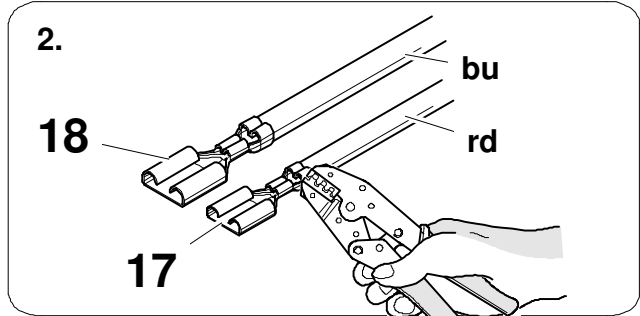
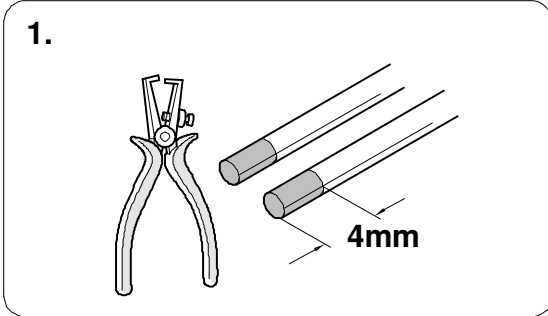
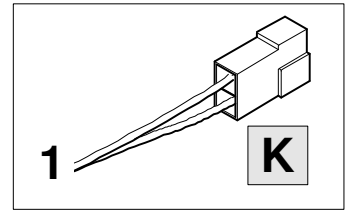




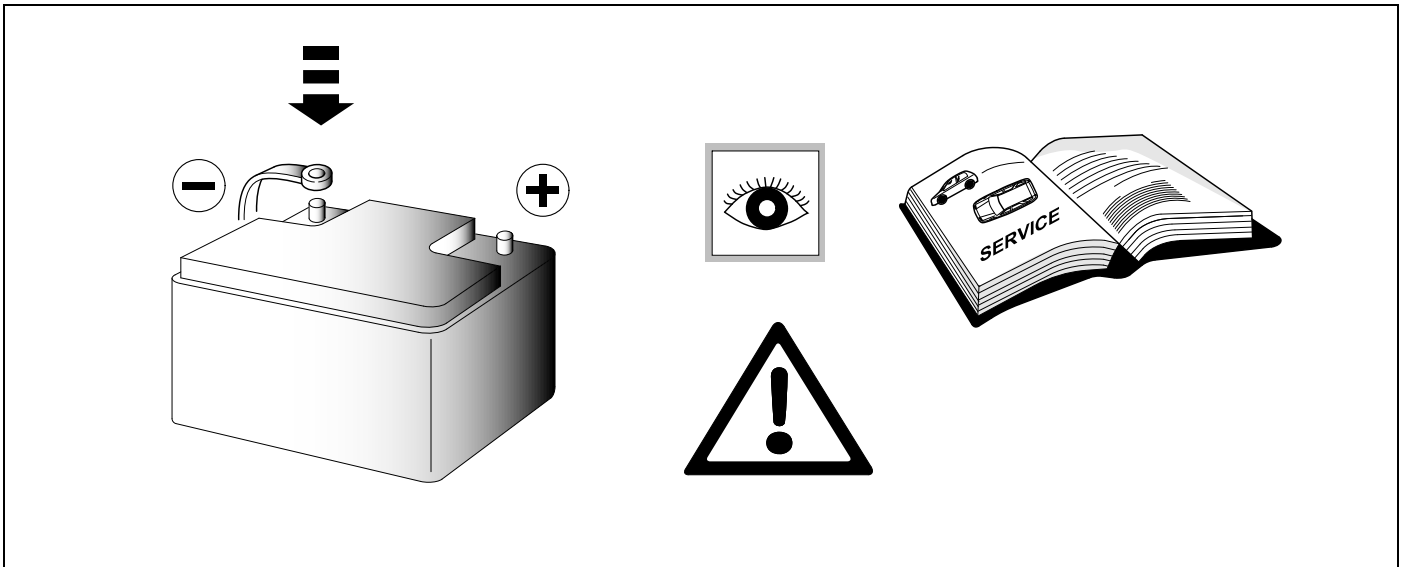
**BRAKE  
CONTROLLER  
PREPARED**



### Trailer Brake Preparation

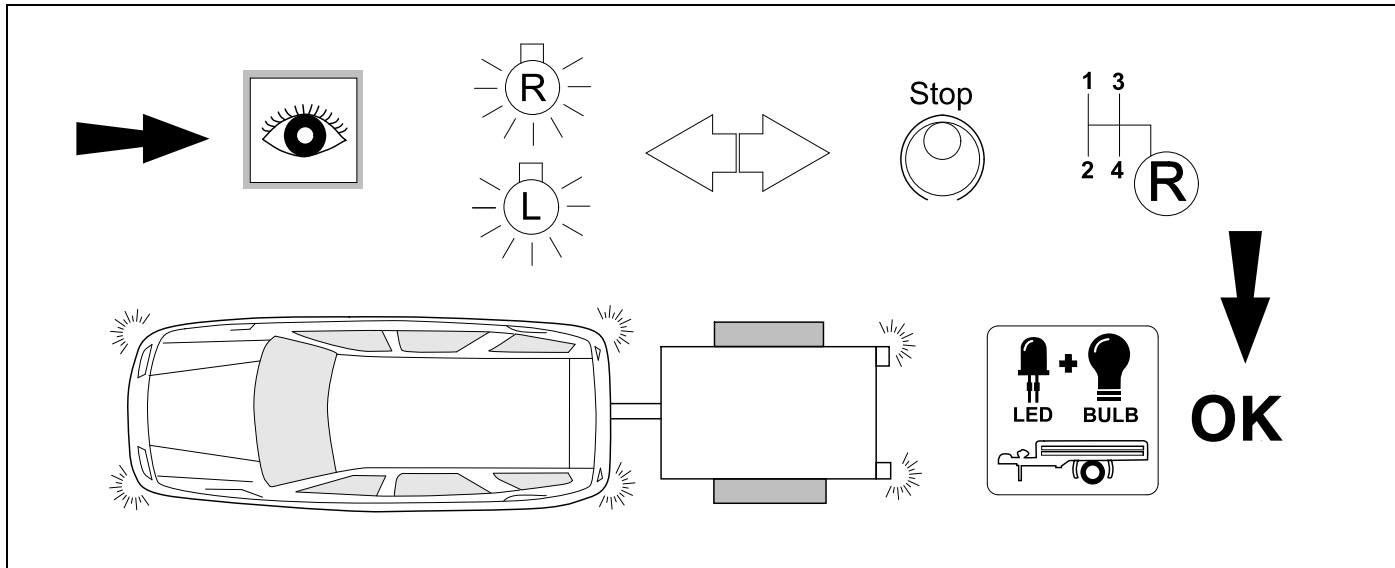


16

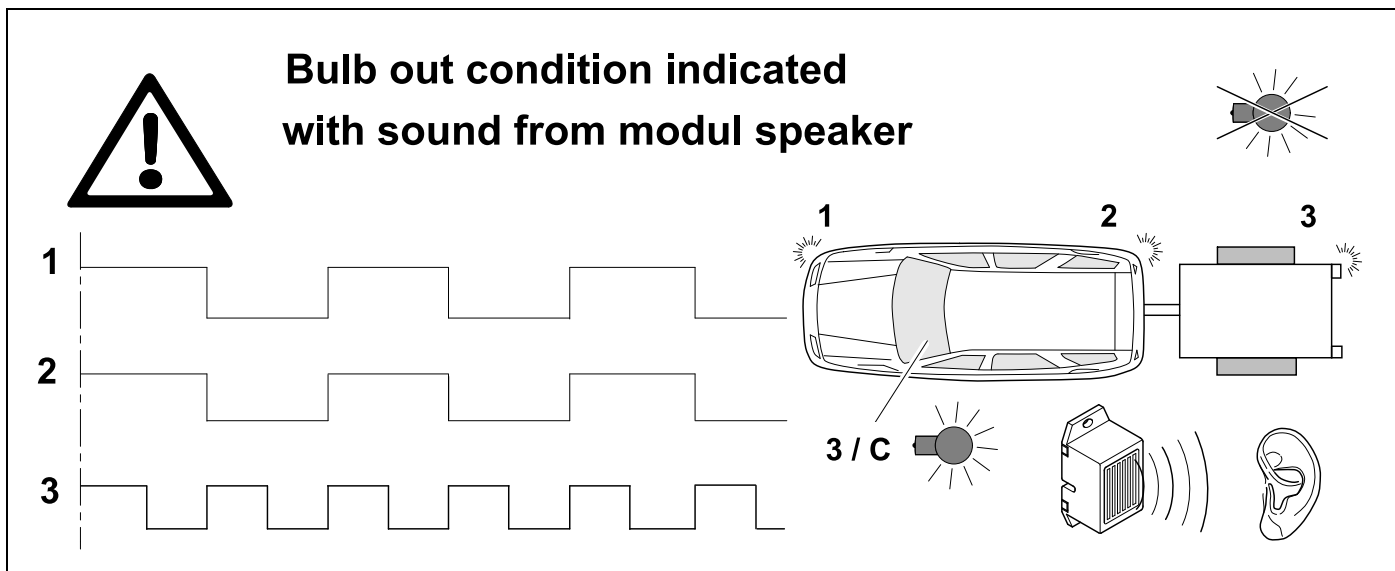


17

# CHECK ALL LIGHTING FUNCTIONS

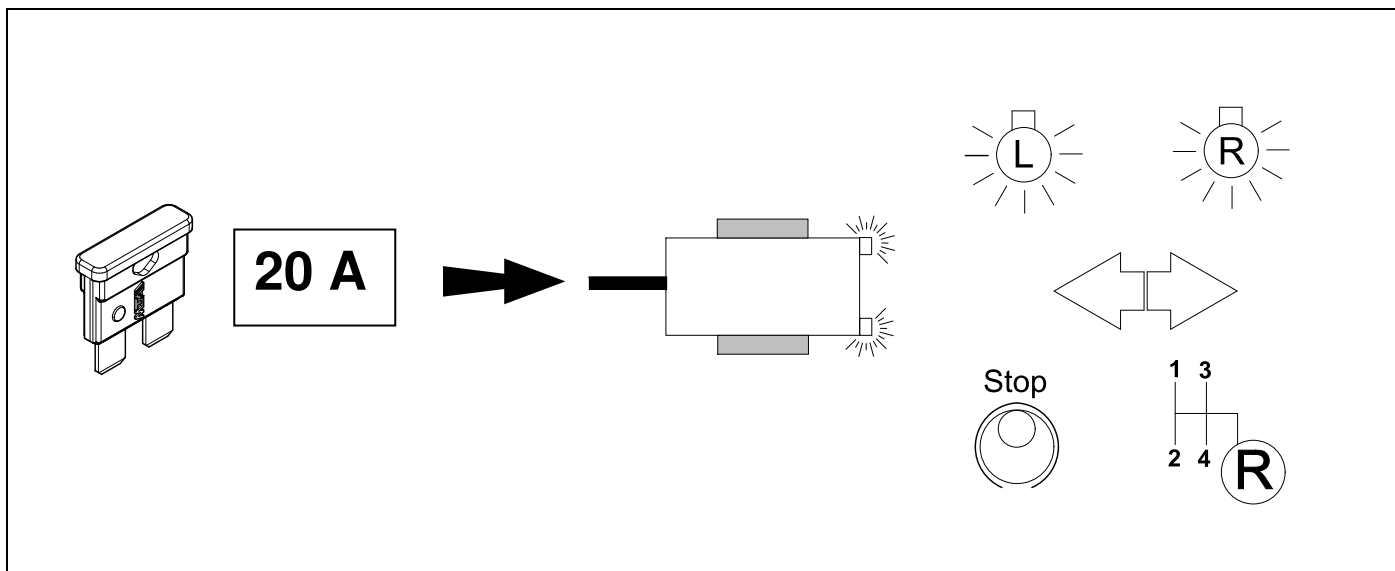


18

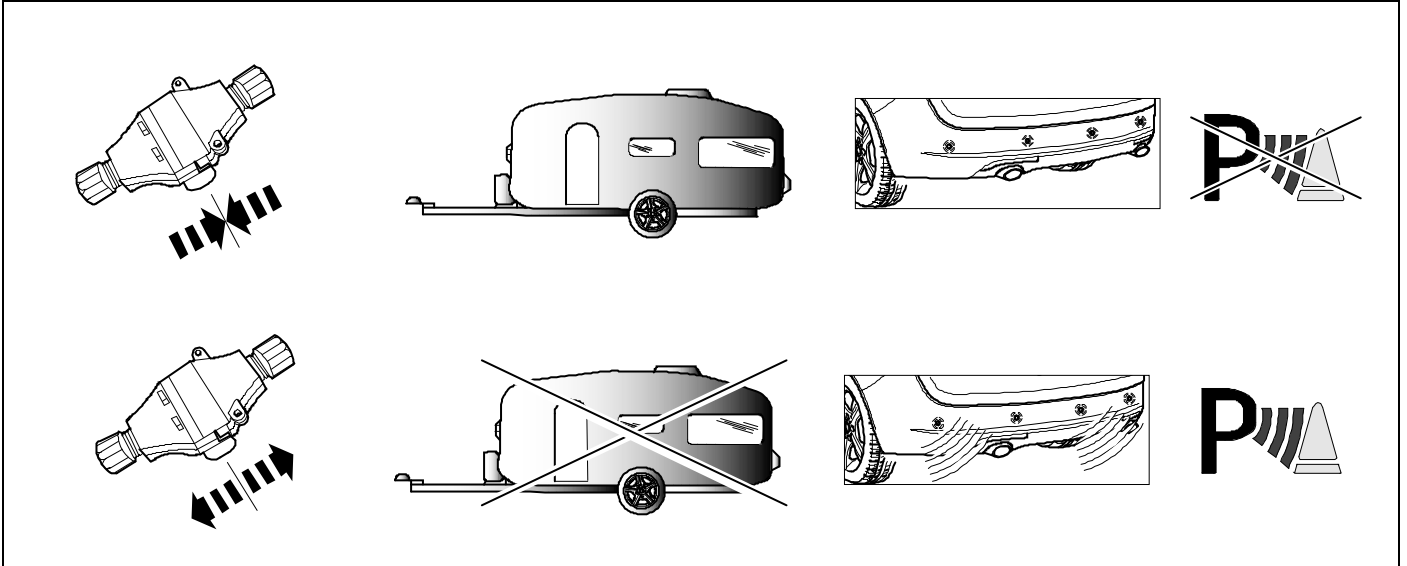


19

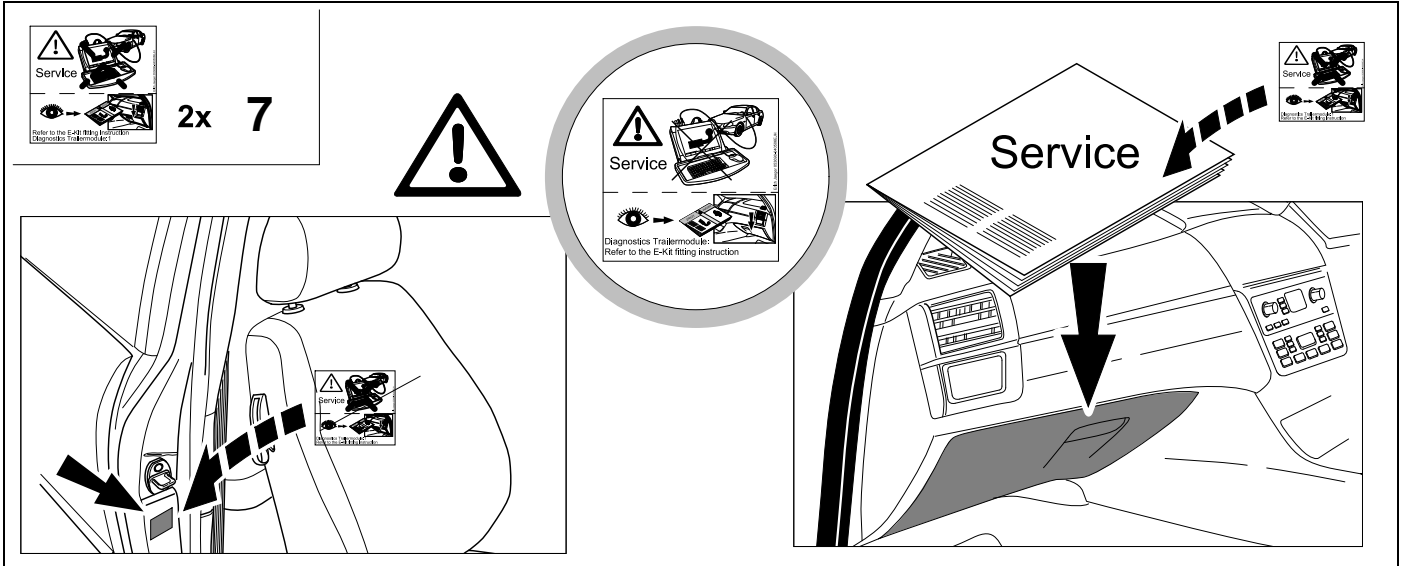
👁️ ⇒ 14



20

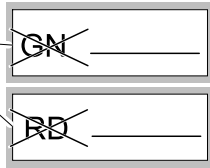
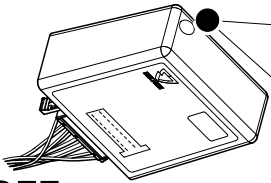
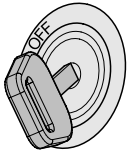


21



# Status LED for self-diagnosis

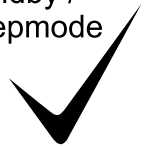
## Operation support



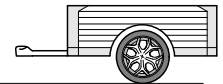
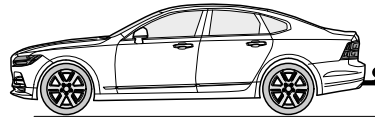
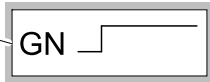
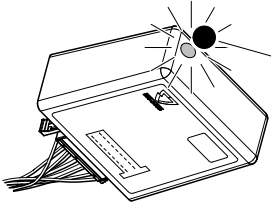
No CAN-Data =



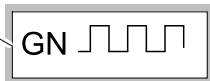
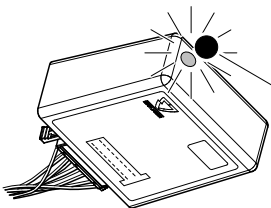
Standby / Sleepmode



Ignition OFF



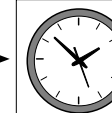
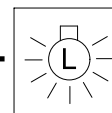
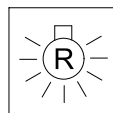
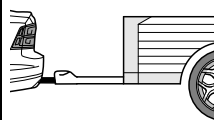
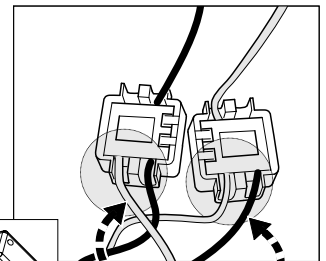
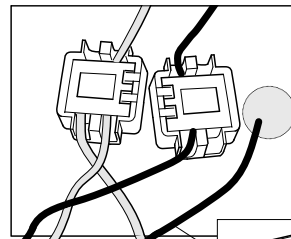
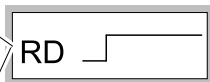
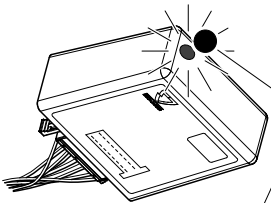
Ignition ON



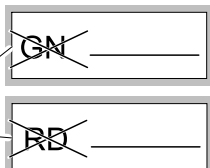
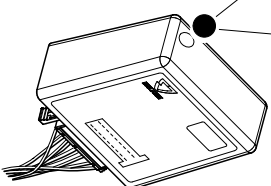
Ignition ON

## Failure support

Check CAN-Data Wire



1x max 5 min.

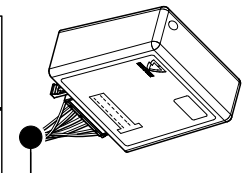
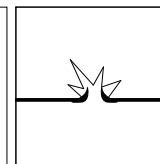
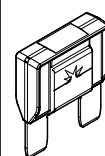
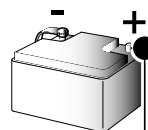


PIN 17

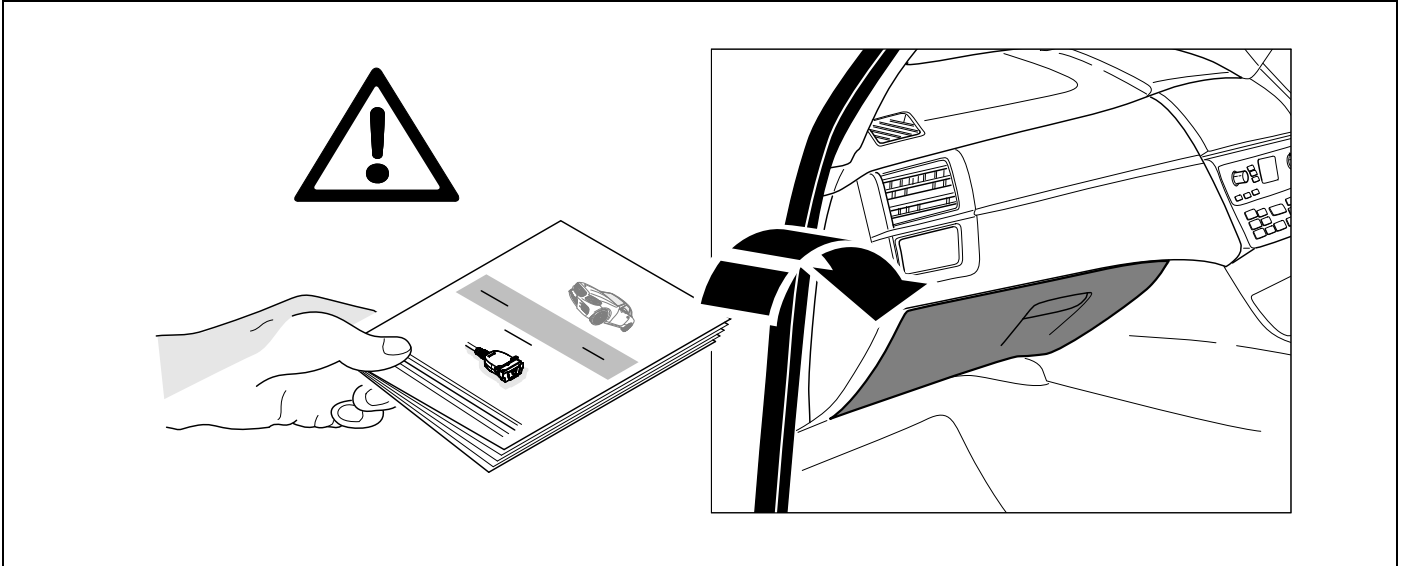
oder / or



PIN 1



Ignition ON



Subject to change in terms of construction, equipment and colour, and may contain errors.  
The information and illustrations are non-binding.