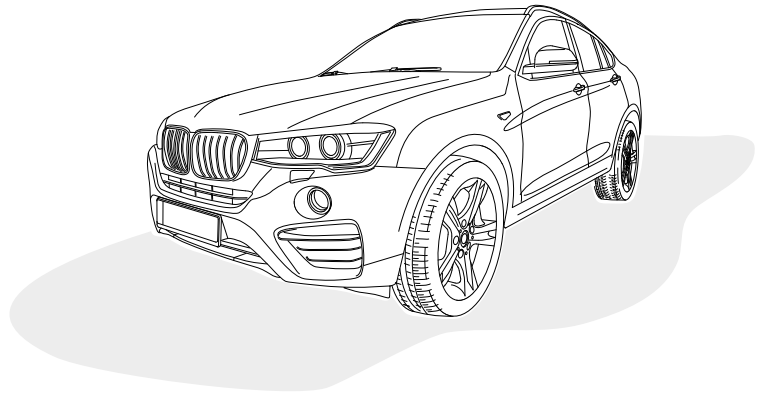
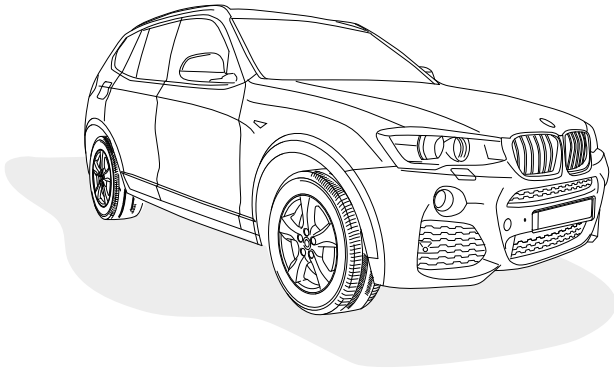




ERICH JAEGER

Installation instructions



750124

BMW X3

G01

11/17 >>

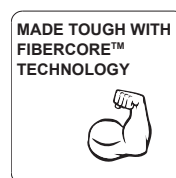
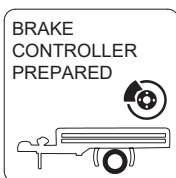
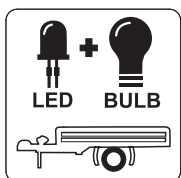
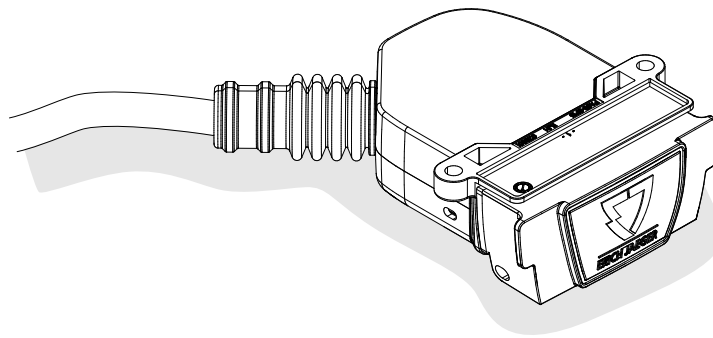
BMW X4

G02

08/18 >>



SCAN FOR
LATEST
INSTRUCTIONS



Reference:

The following information must be reviewed before beginning the assembly:

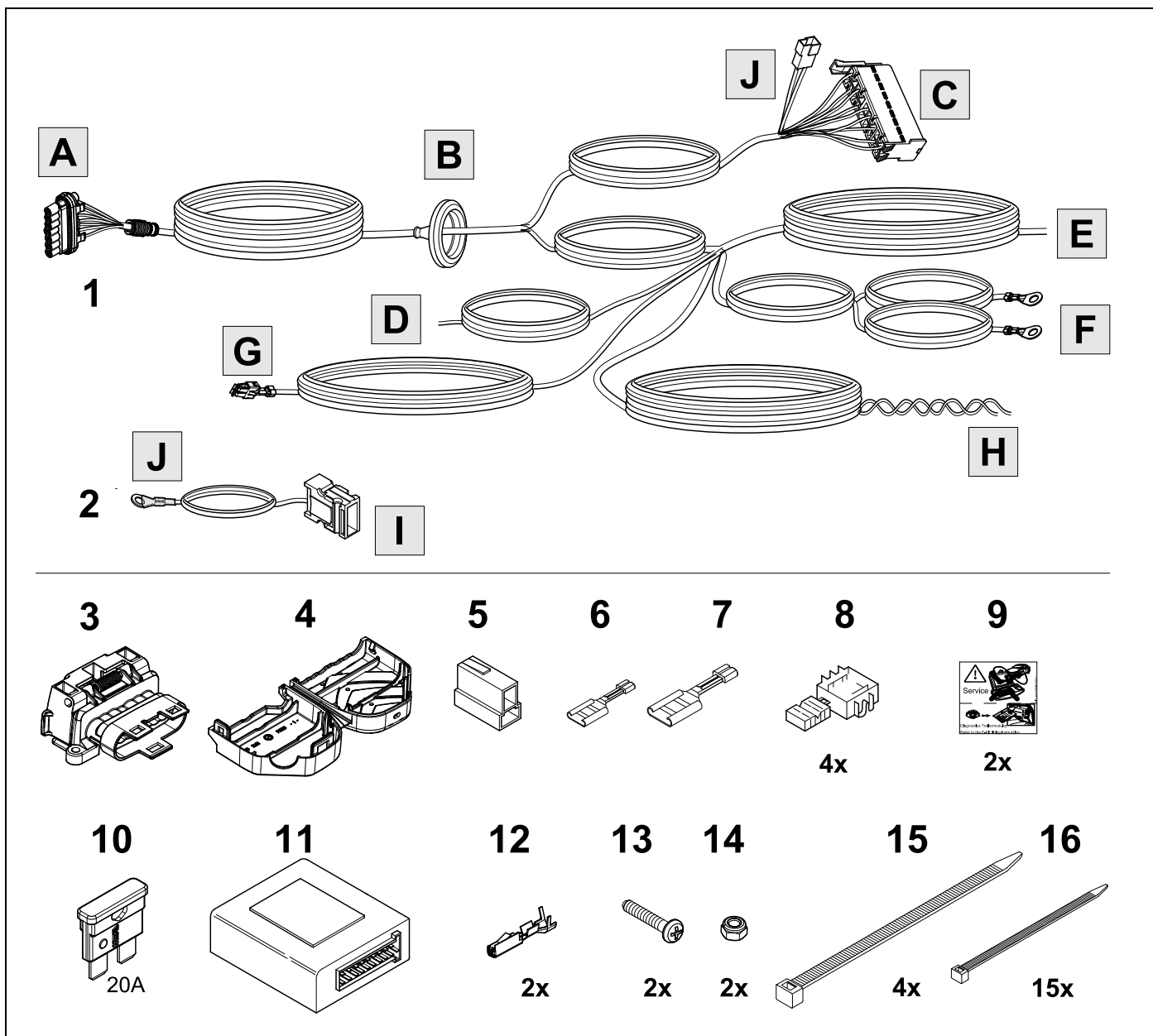
The installation instructions are to be thoroughly read.

The installation should be carried out by qualified personnel with the relevant technical knowledge.

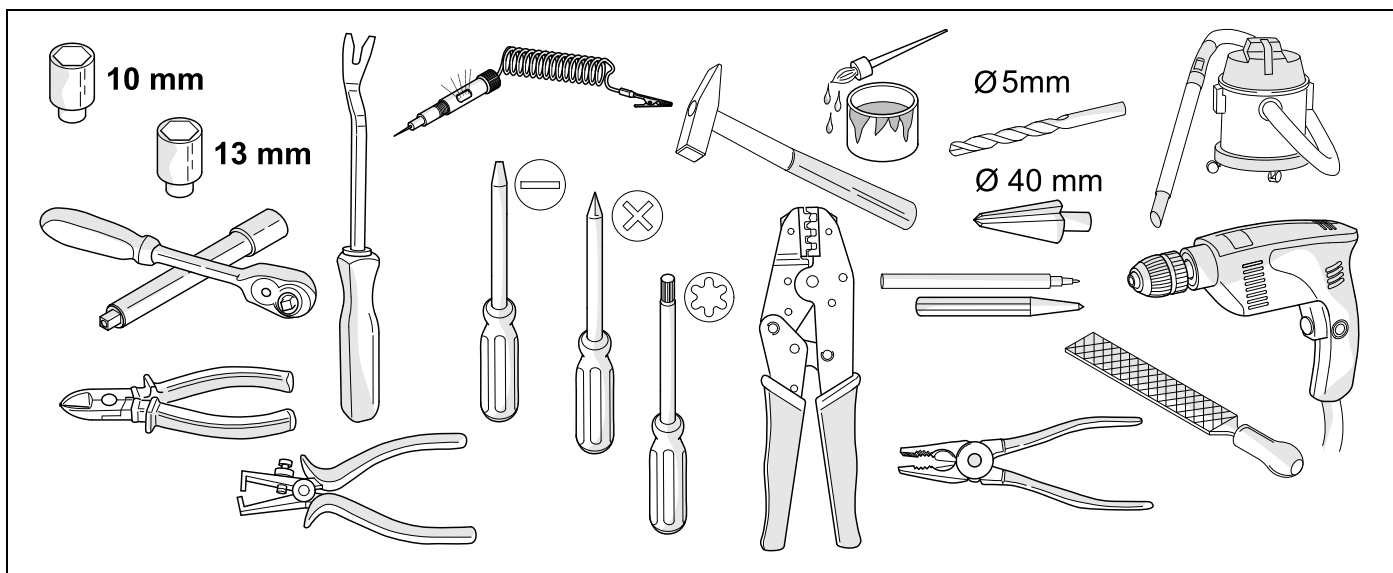
The vehicle manufacturers' current technical notices and information on retrofitting must be followed.

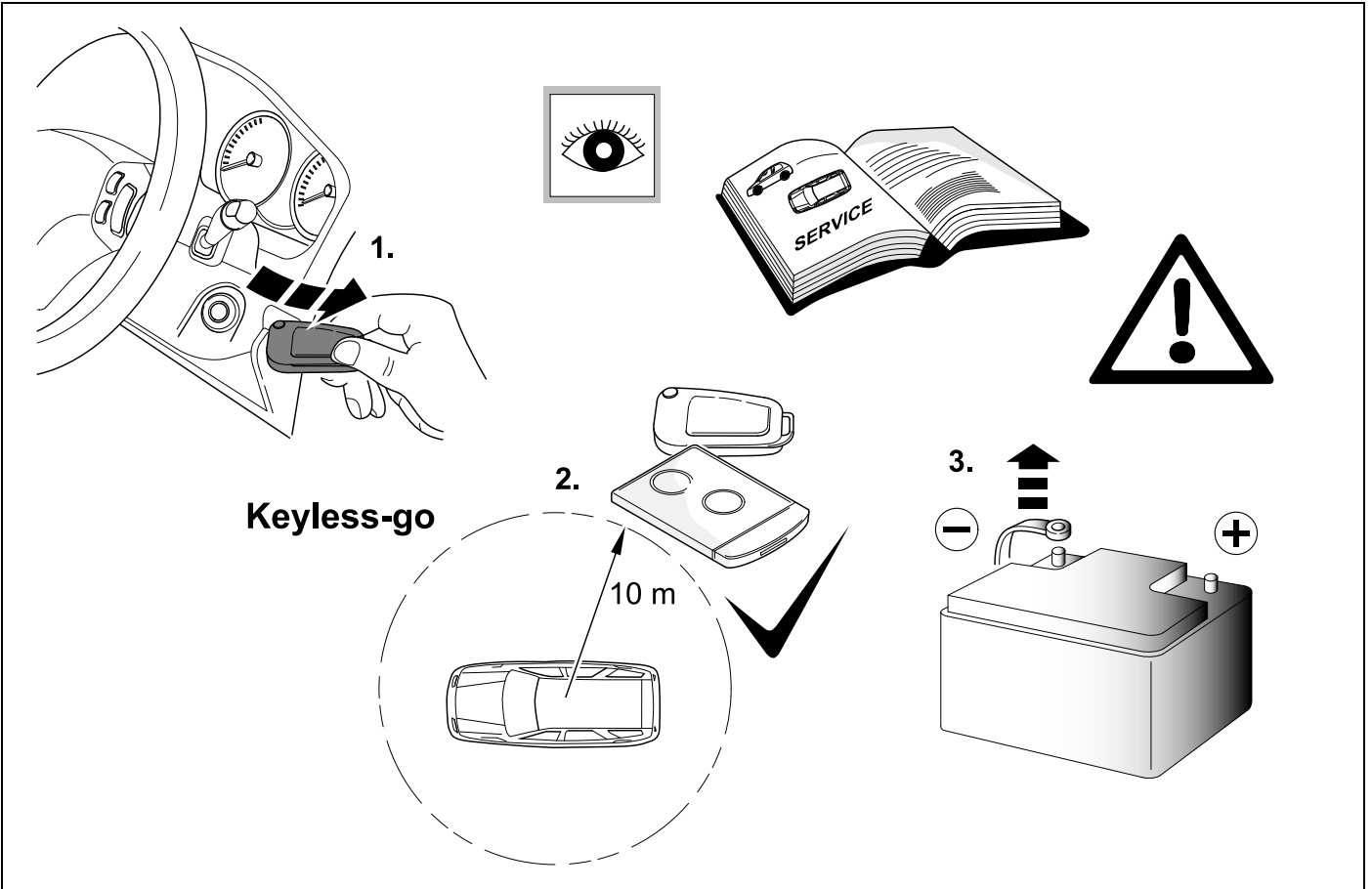
The removal and replacement instructions found in the current repair manuals must be followed.

KIT

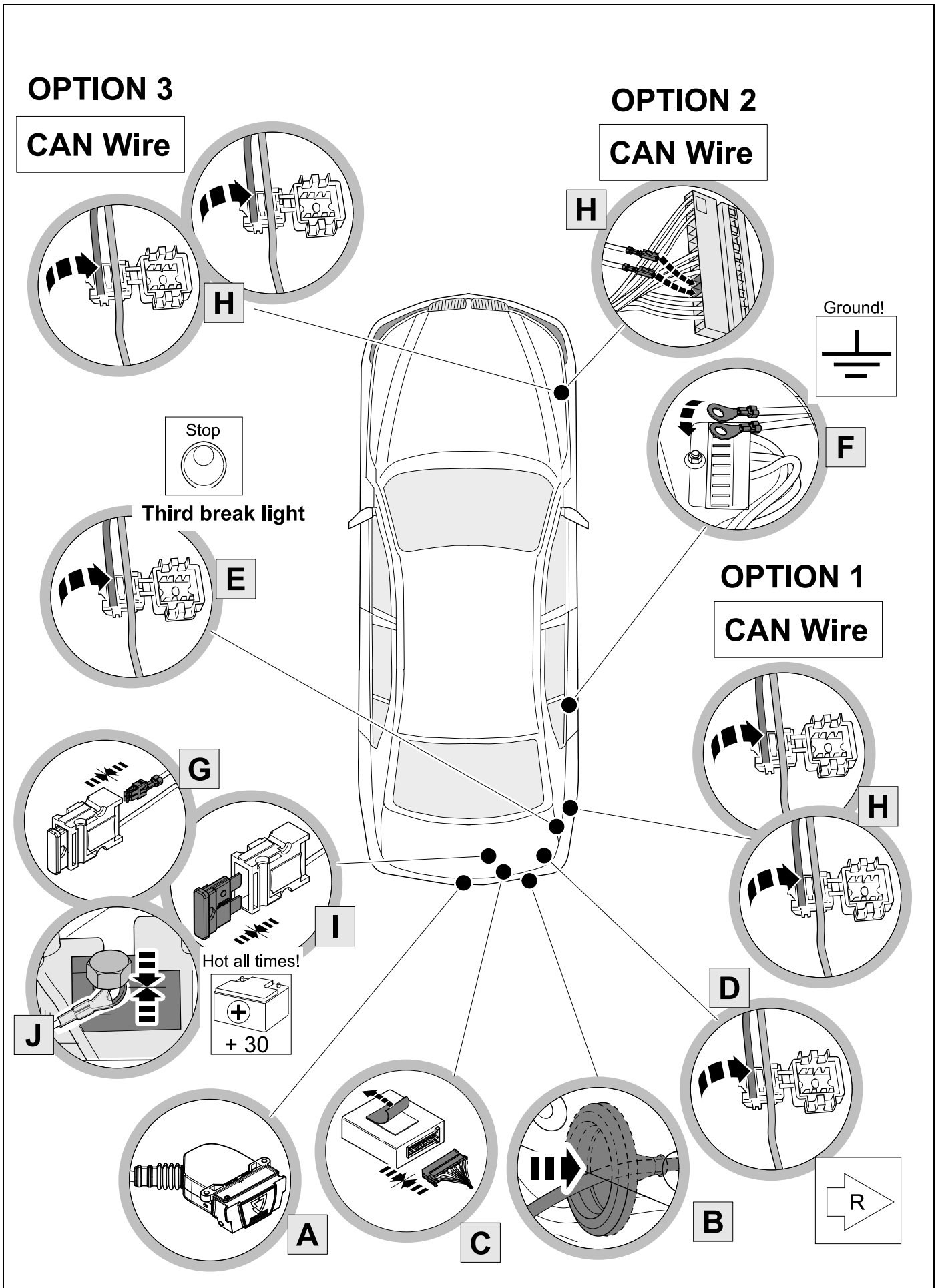


TOOLS



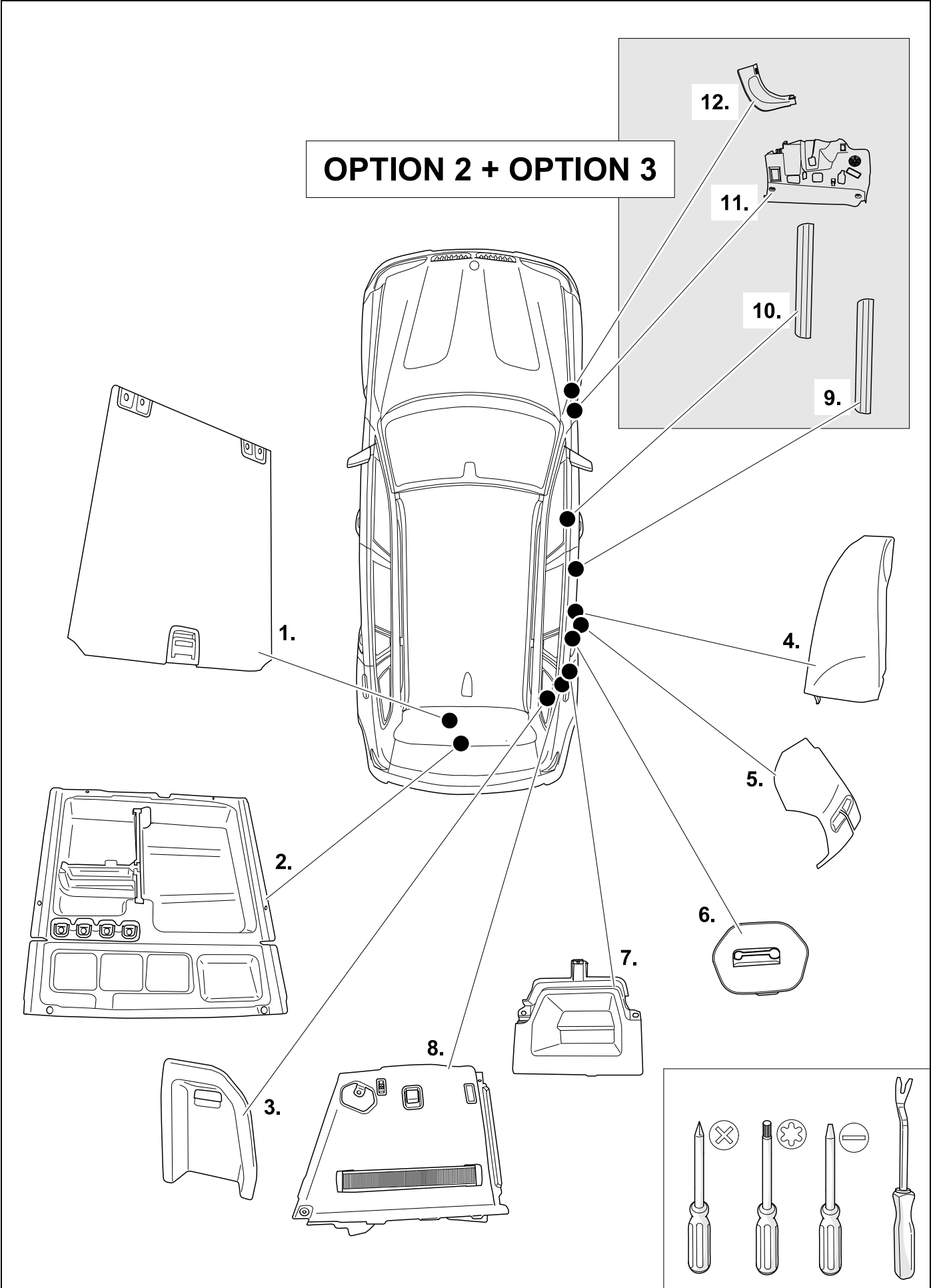


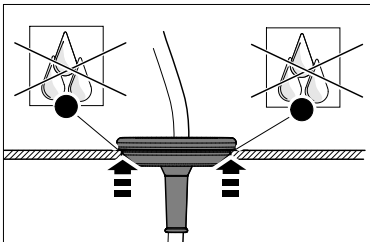
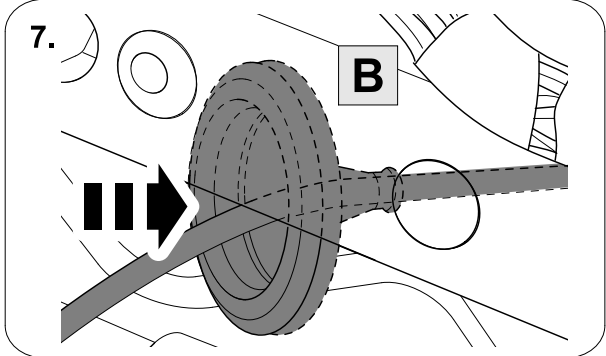
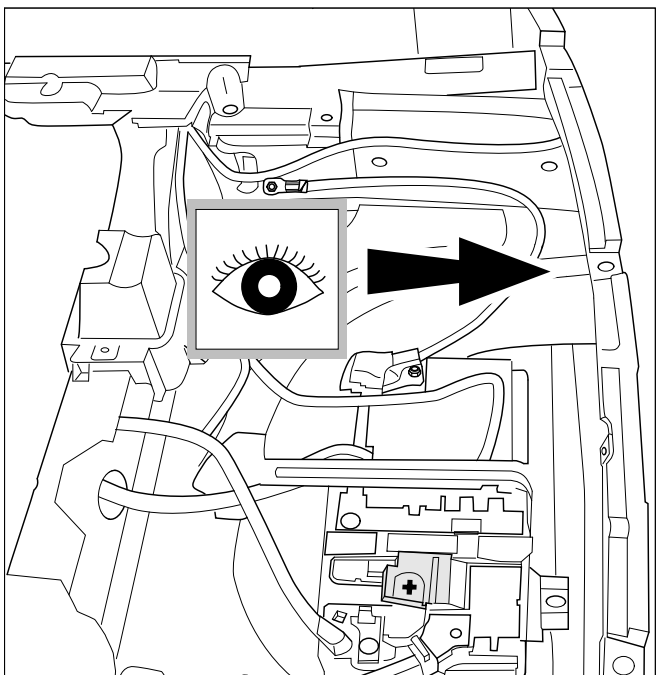
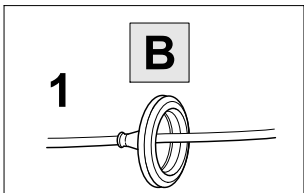
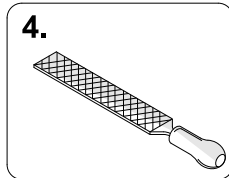
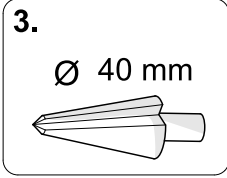
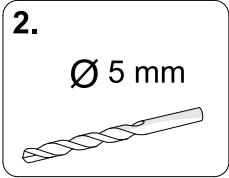
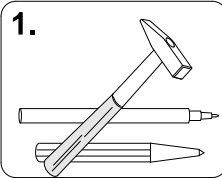
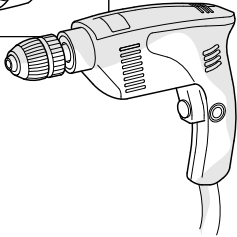
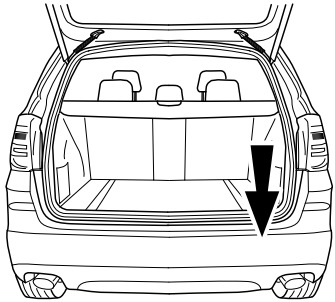
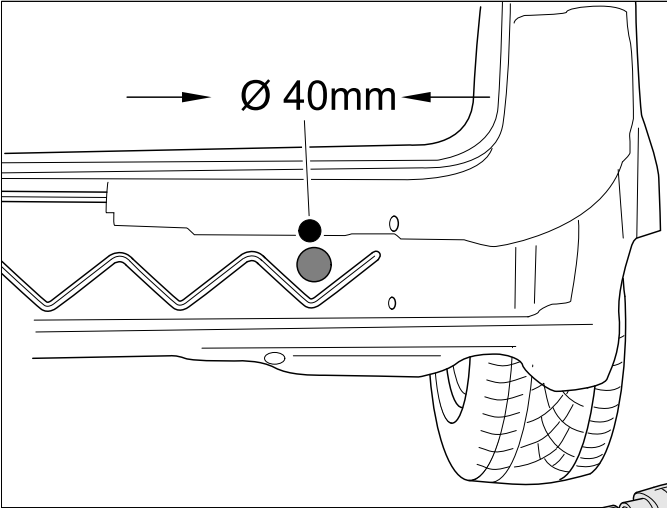
2 ROUTING



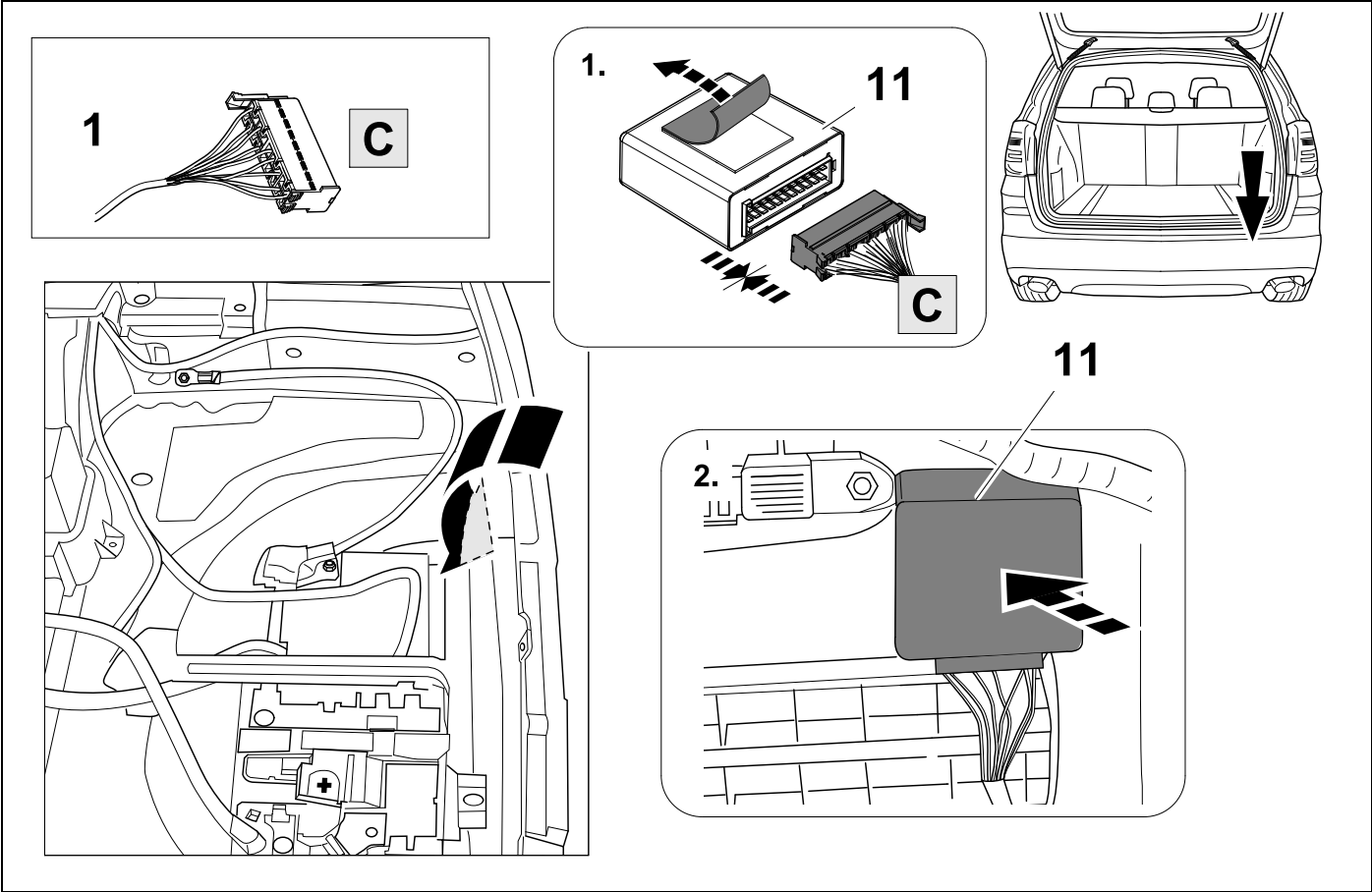
REMOVE

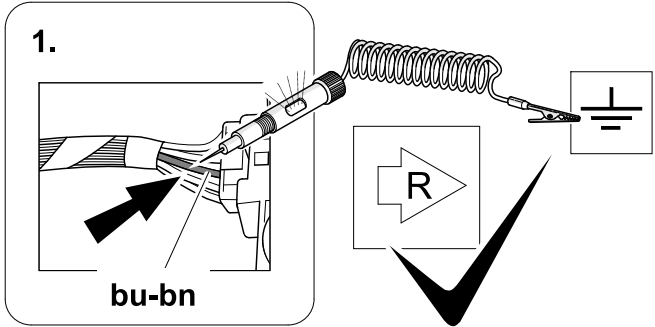
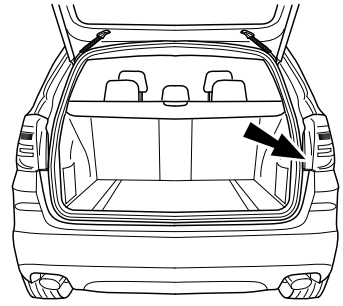
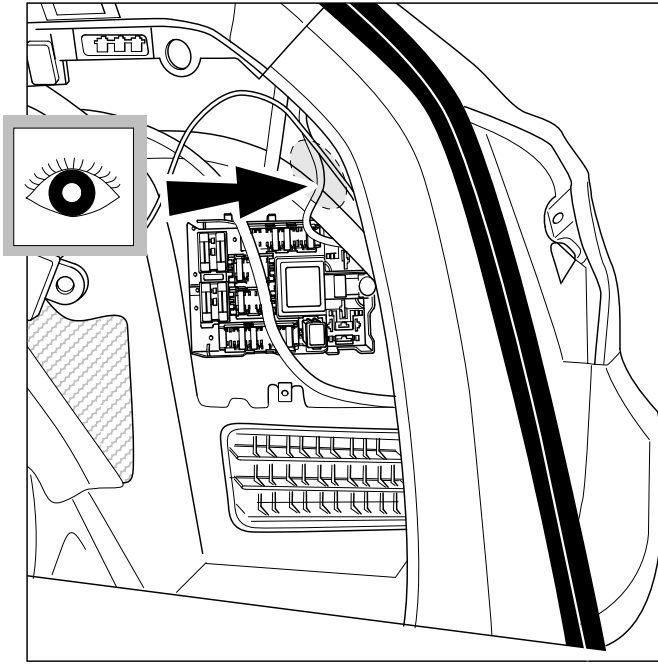
OPTION 2 + OPTION 3



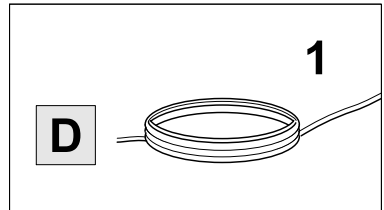
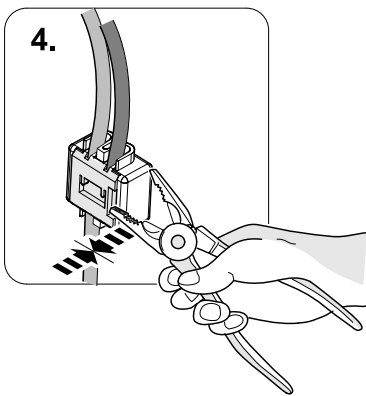
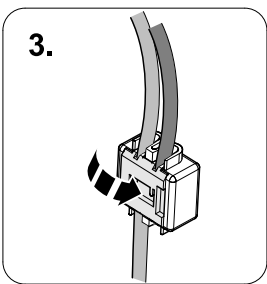
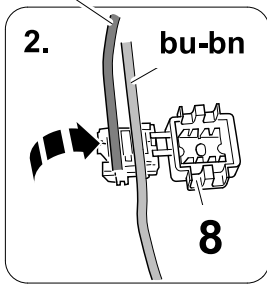


5





bk-bu **D**

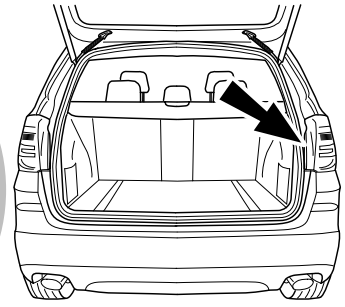
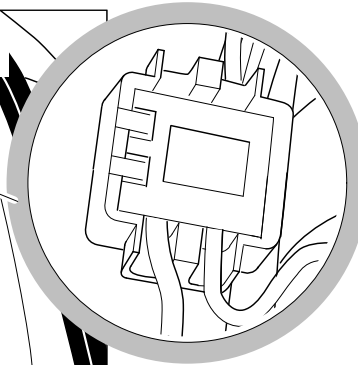
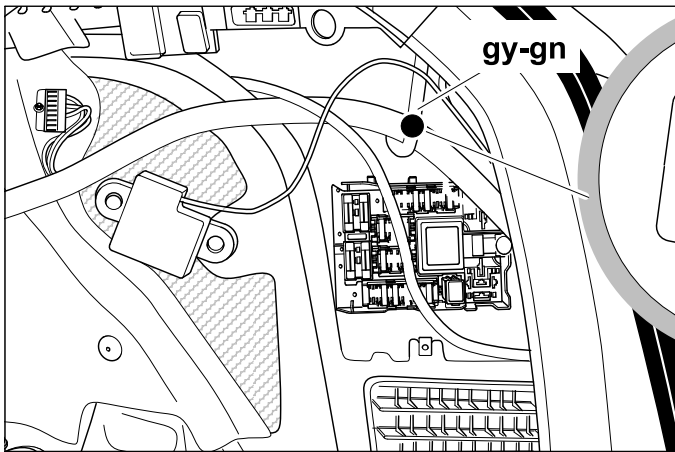


7



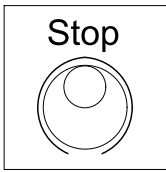
24

G01



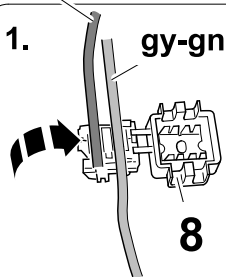
bk-ye

E

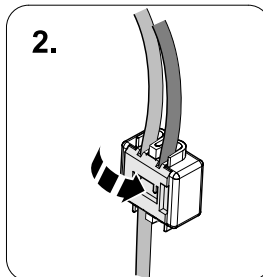


Third break light

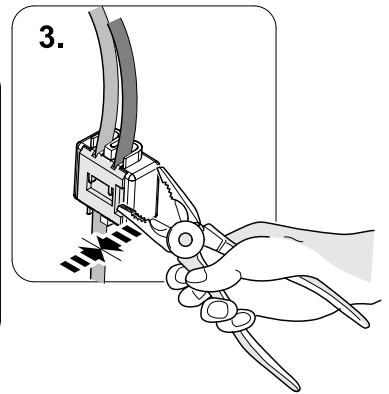
1.



2.



3.

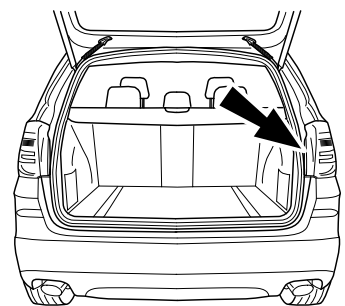
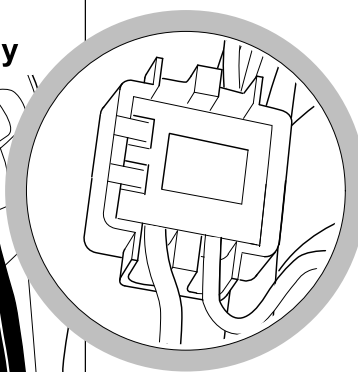
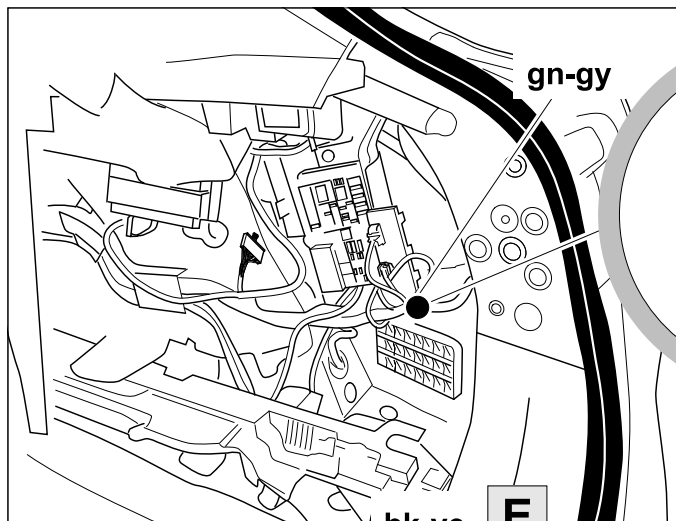


8



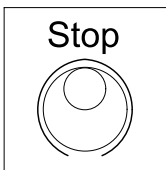
24

G02 / G05



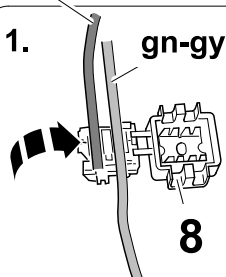
bk-ye

E

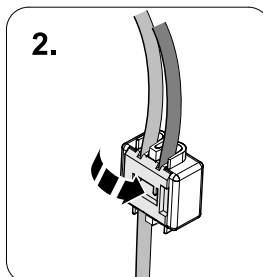


Third break light

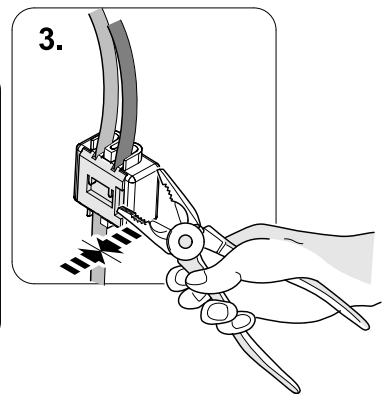
1.



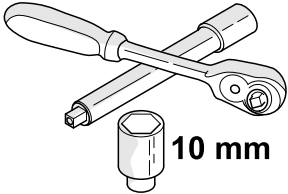
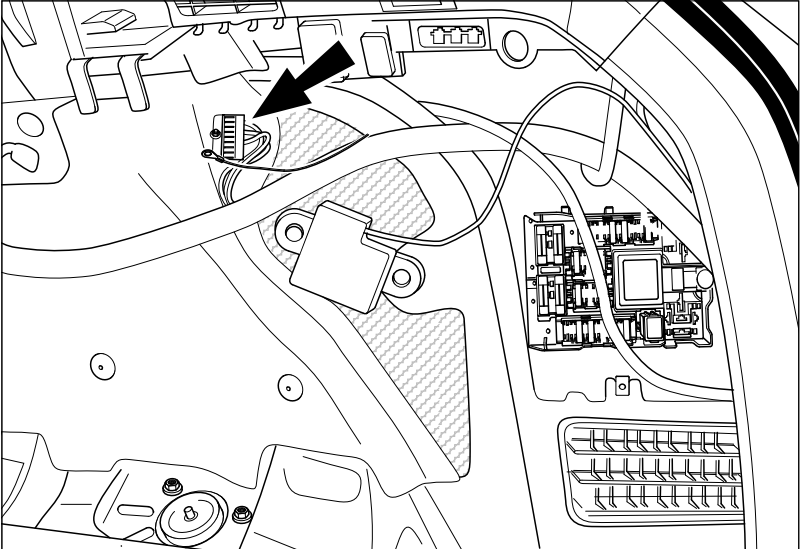
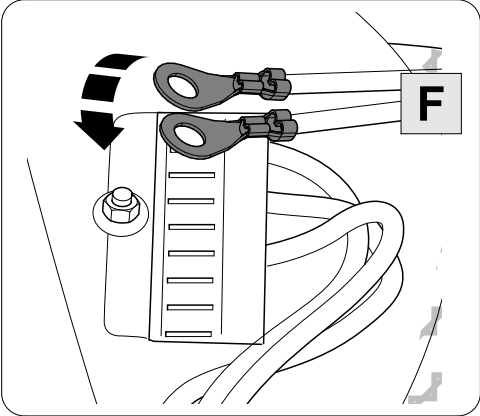
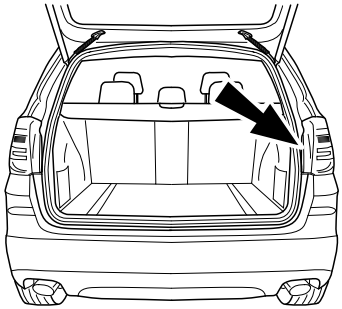
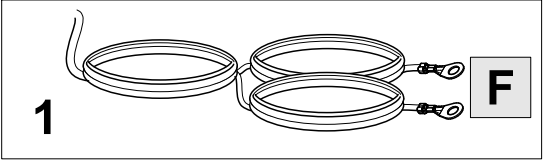
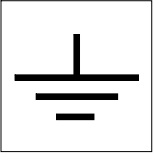
2.

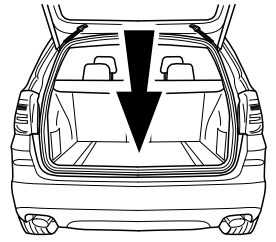
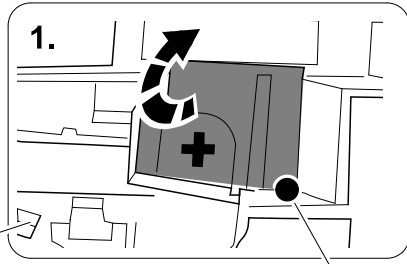
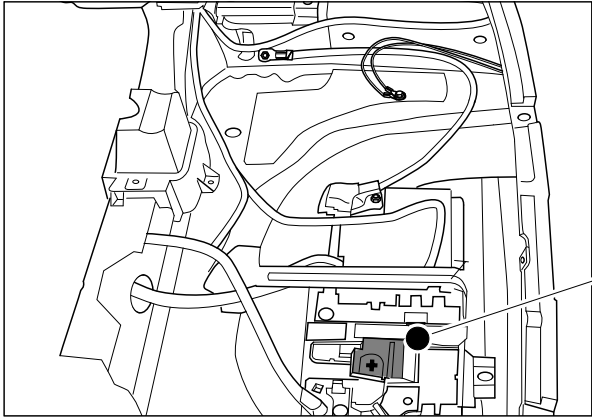


3.

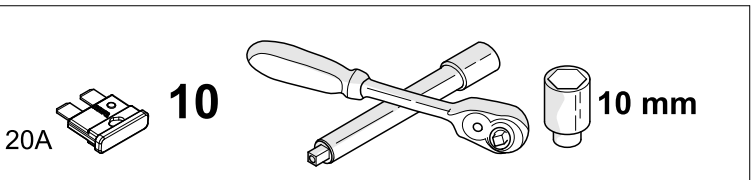
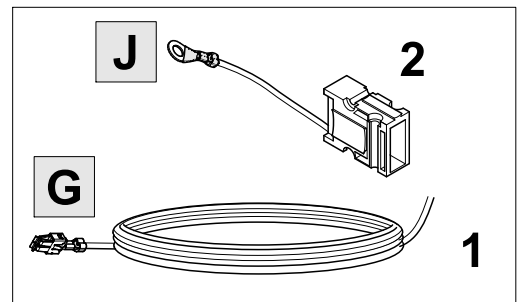
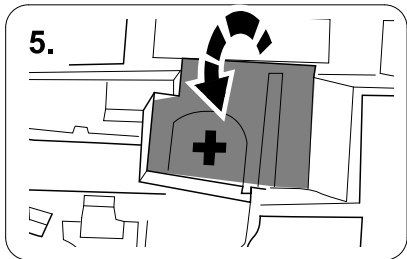
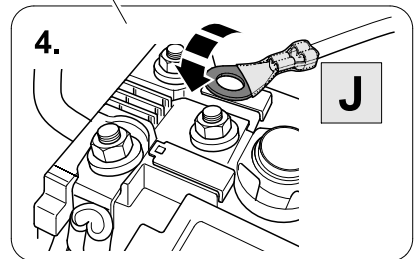
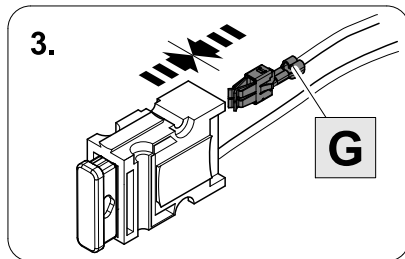
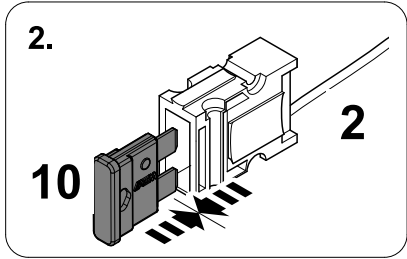
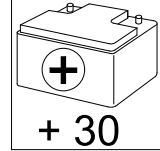


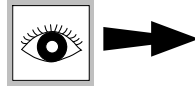
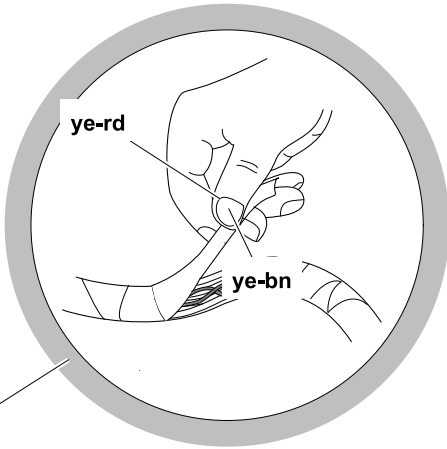
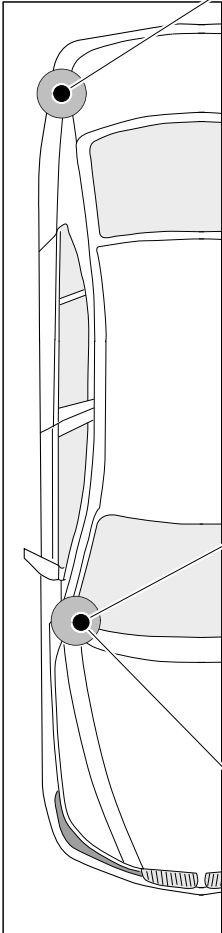
Ground!





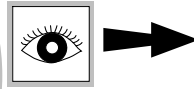
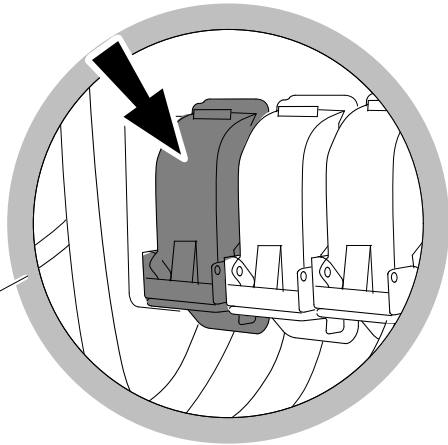
Hot all times!





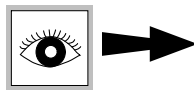
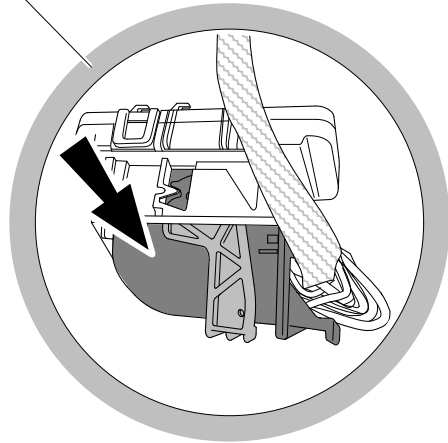
OPTION 1

$$\begin{array}{r} \boxed{12} - \boxed{15} \\ + \\ \boxed{20} - \boxed{32} \end{array}$$



OPTION 2

$$\begin{array}{r} \boxed{16} - \boxed{18} \\ + \\ \boxed{20} - \boxed{32} \end{array}$$



OPTION 3

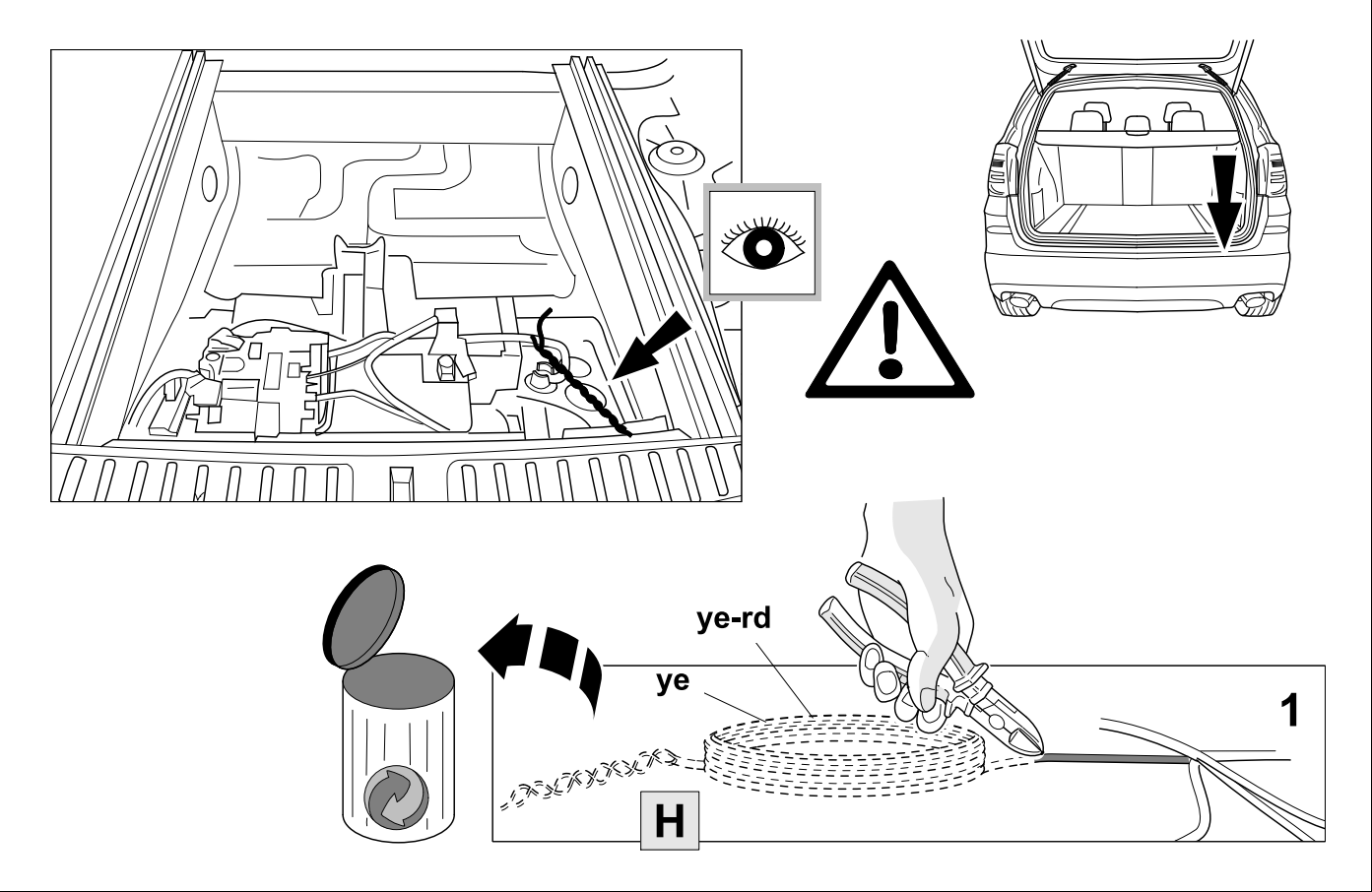
$$\boxed{19} - \boxed{32}$$

12

OPTION 1



24



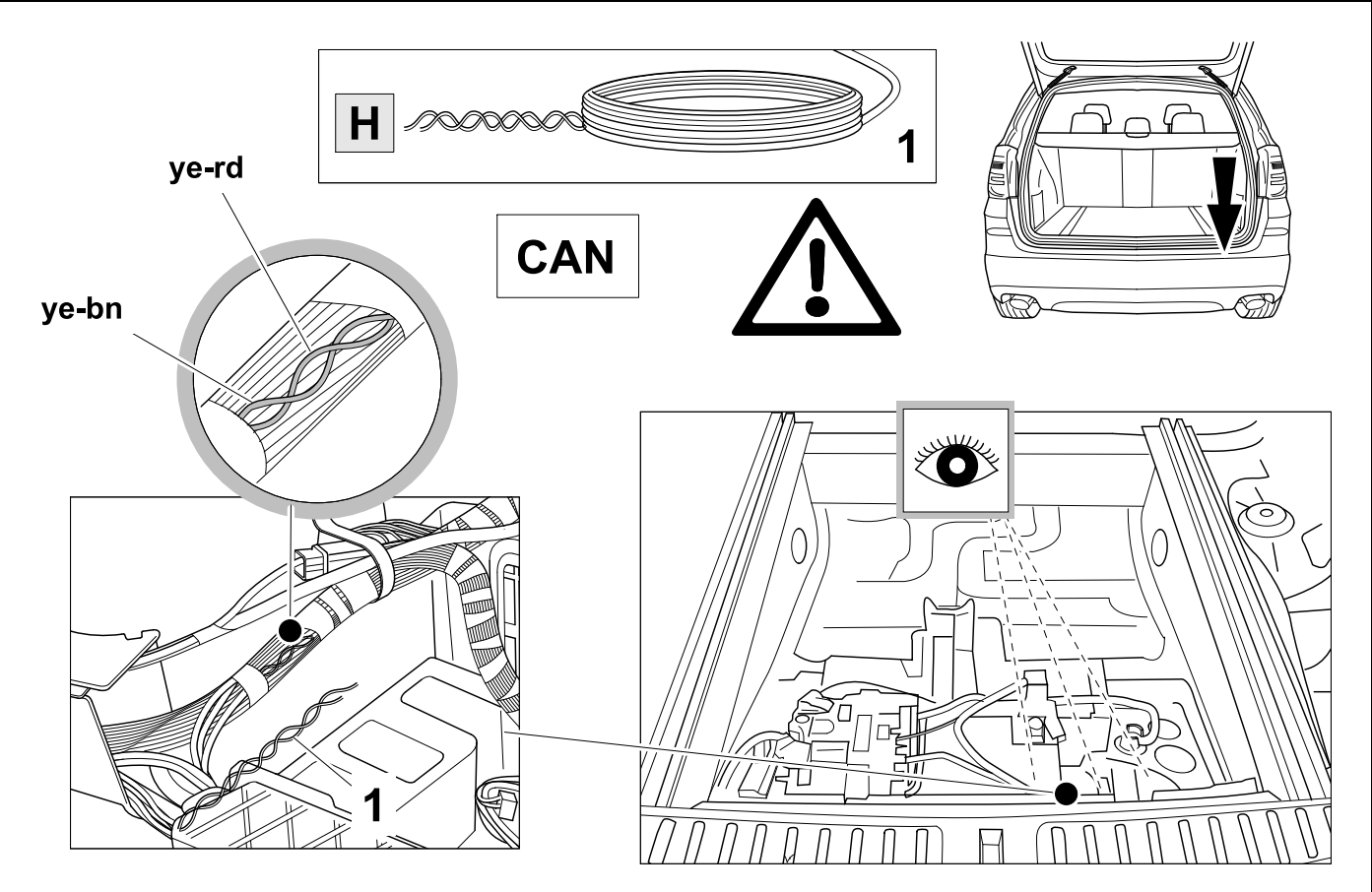
13

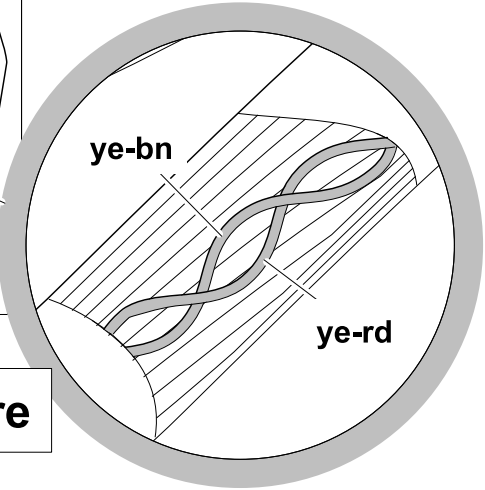
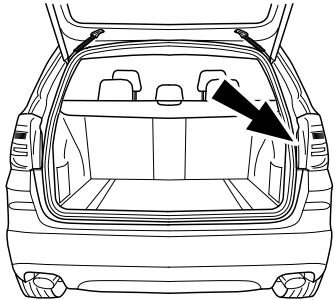
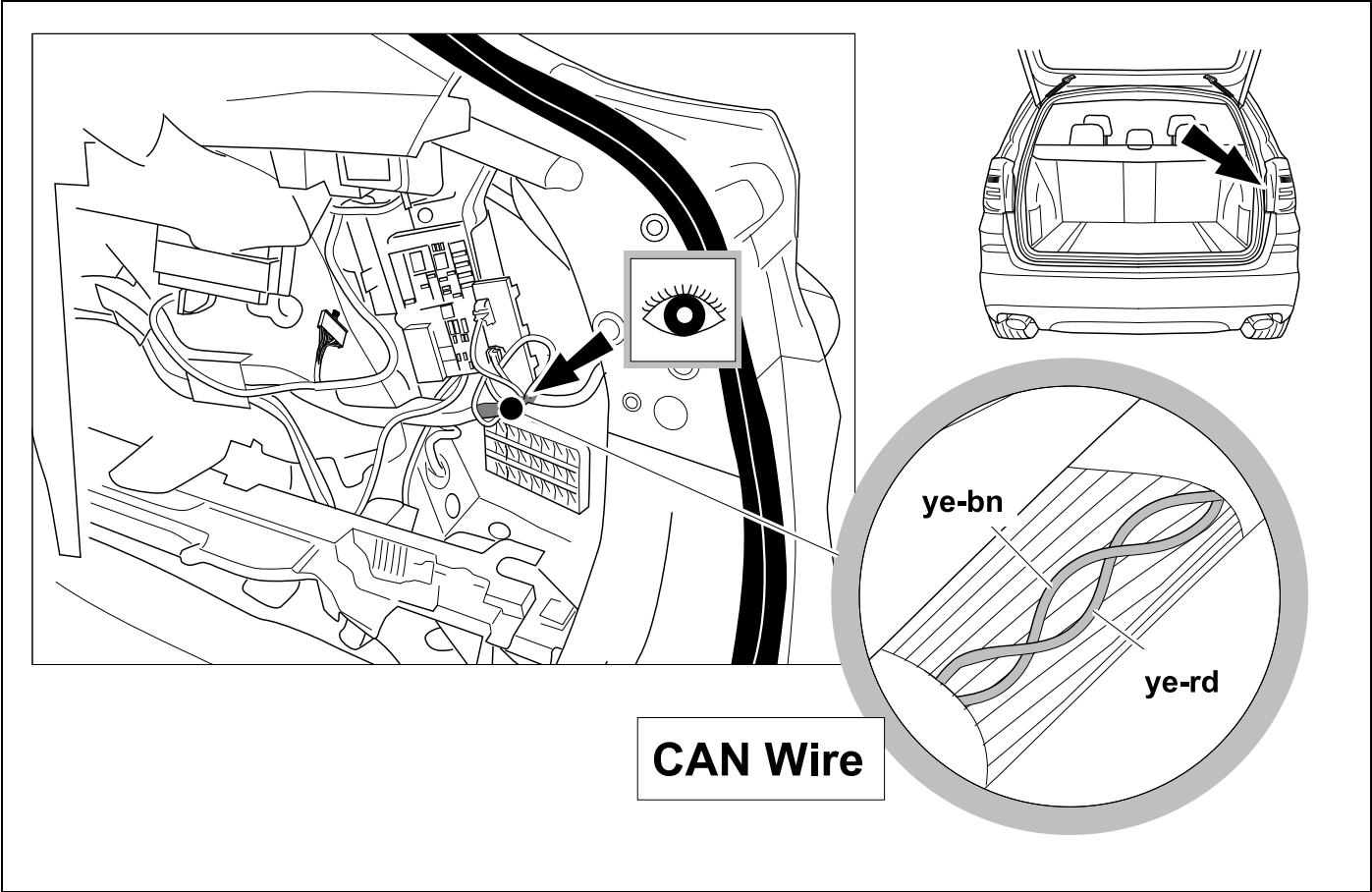
OPTION 1



24

G01

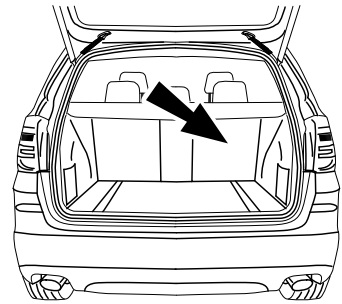
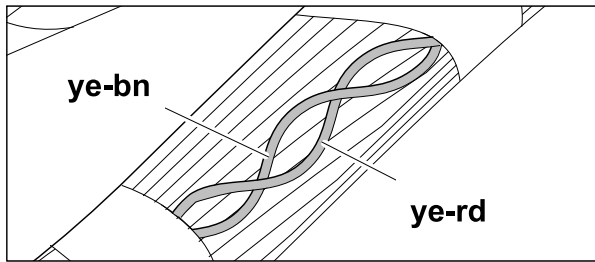




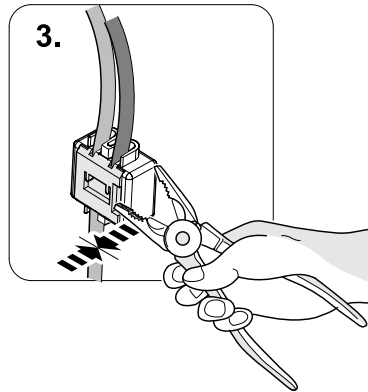
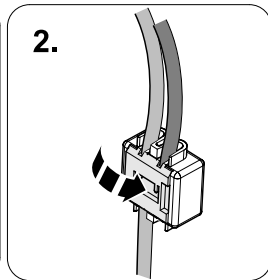
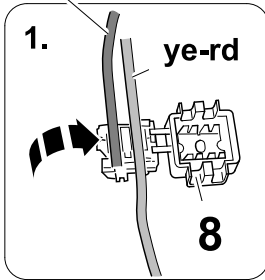
CAN Wire



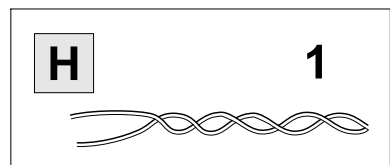
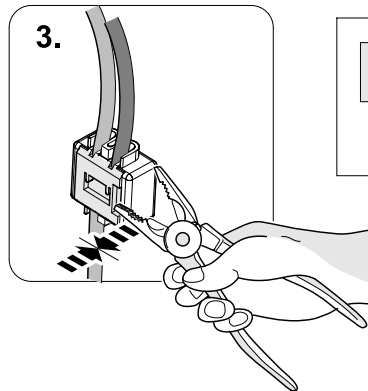
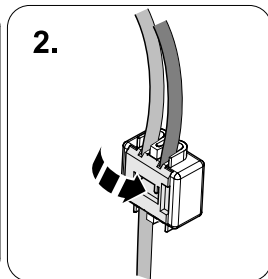
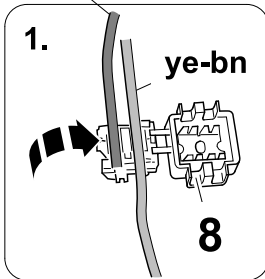
CAN



ye-rd **H**



ye **H**



H

1

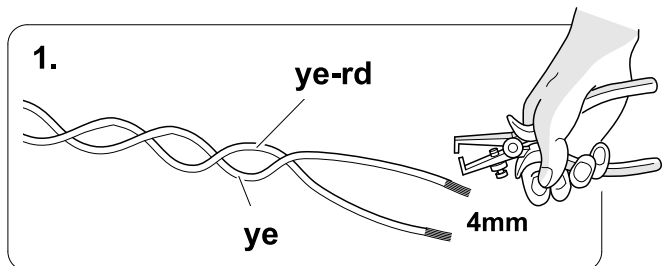


1.

ye-rd

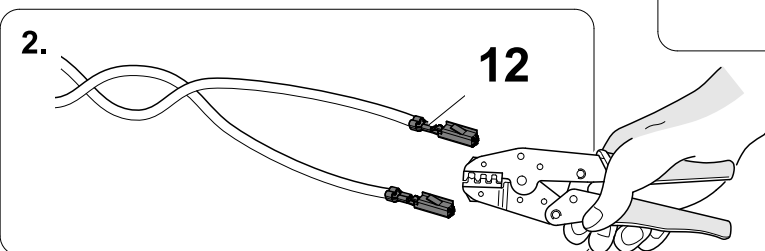
ye

4mm



2.

12



12

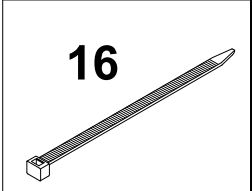
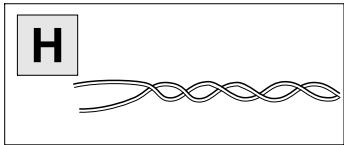
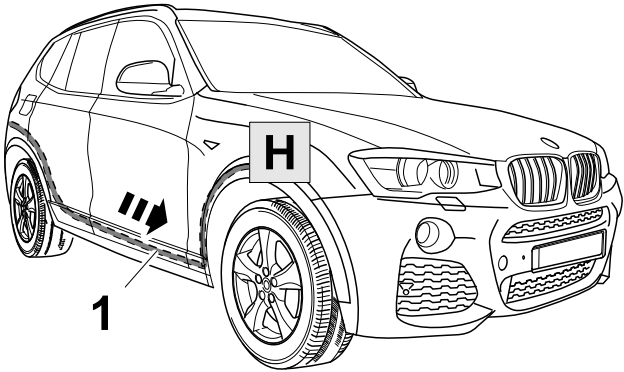
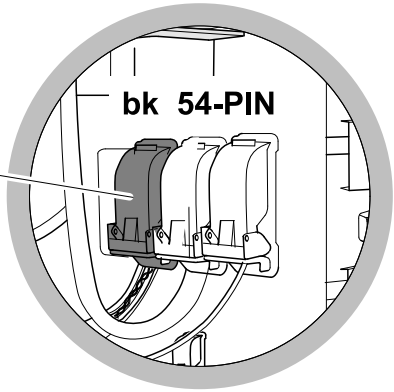
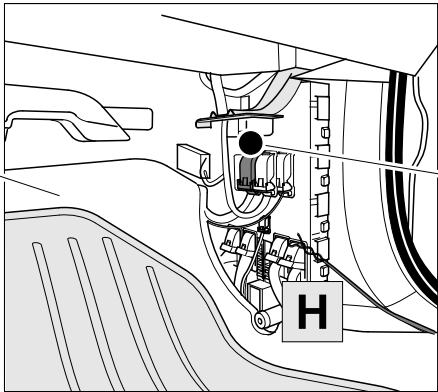
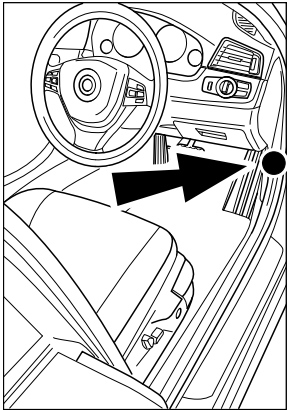


17

OPTION 2



24

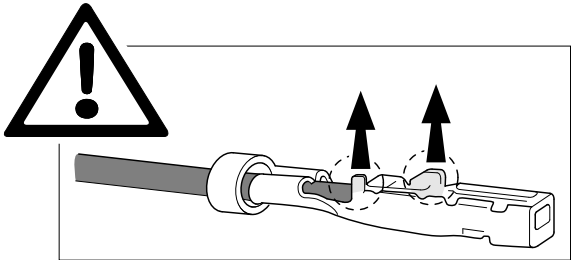
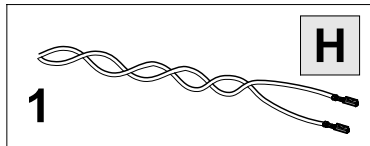
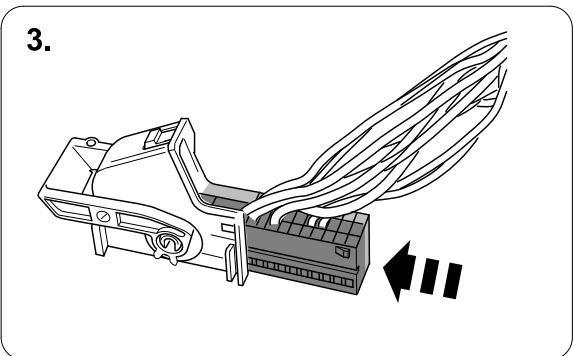
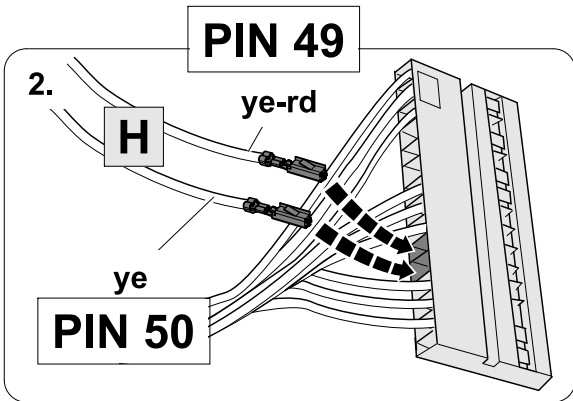
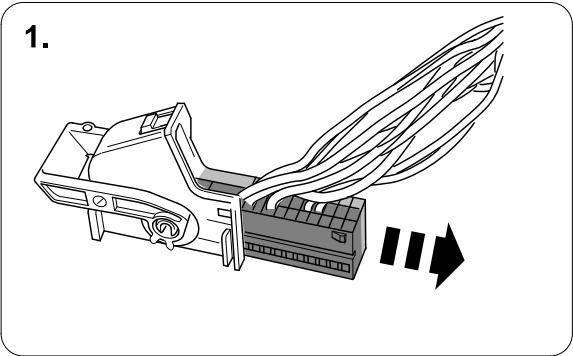


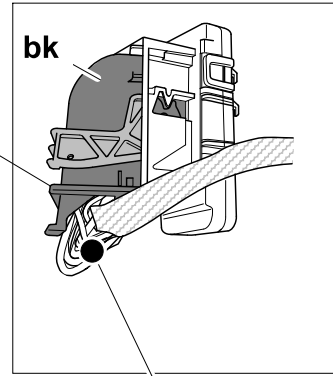
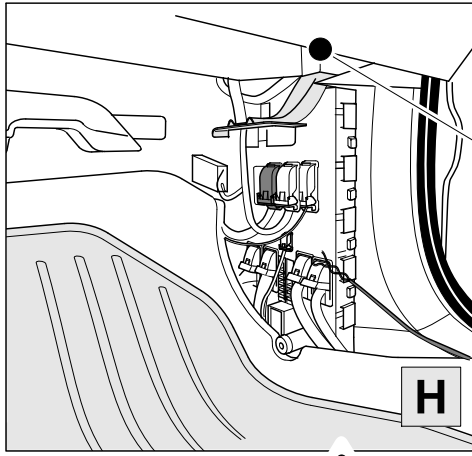
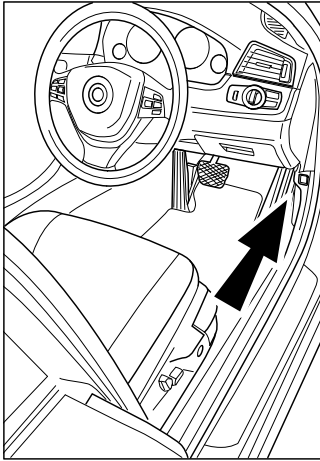
18

OPTION 2

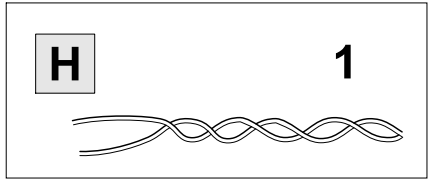
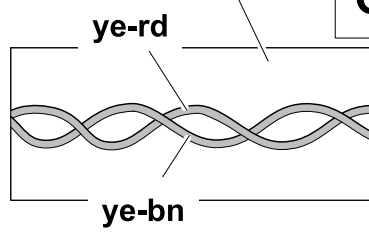


24

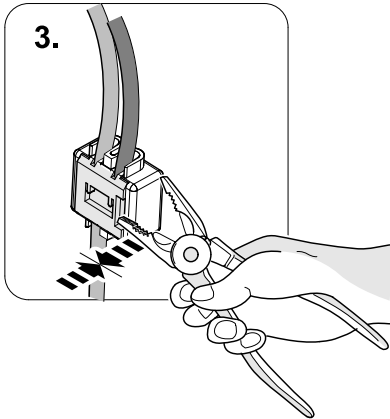
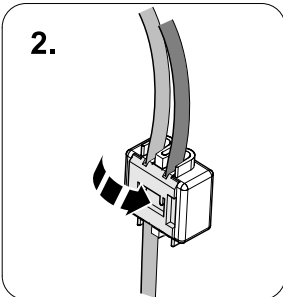
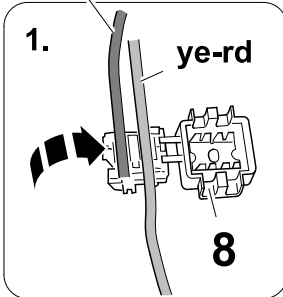




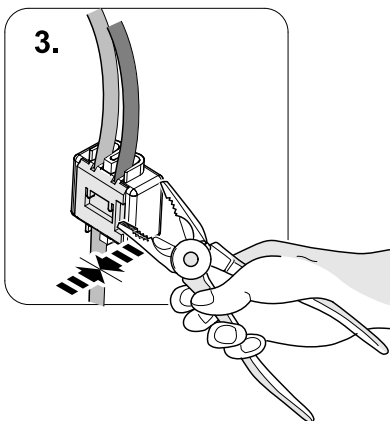
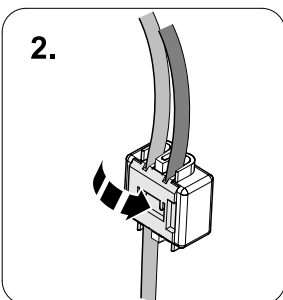
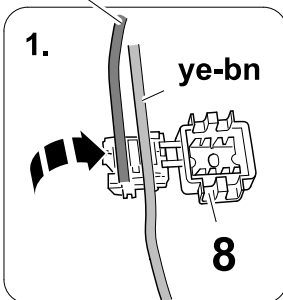
CAN



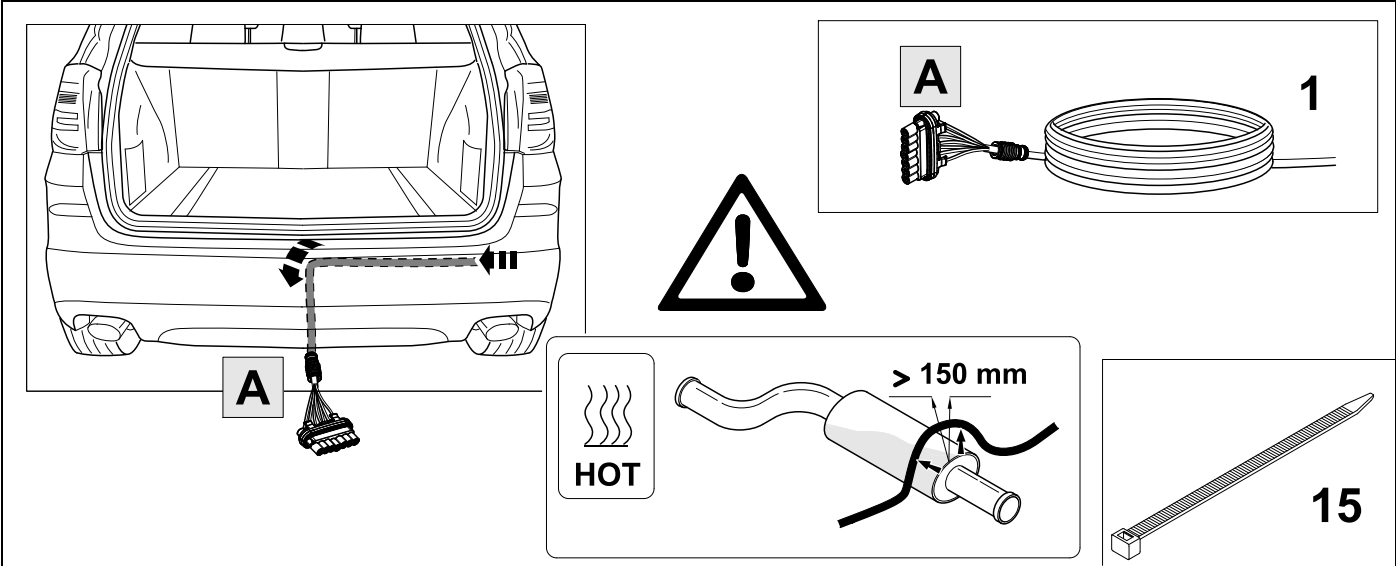
ye-rd H



ye H



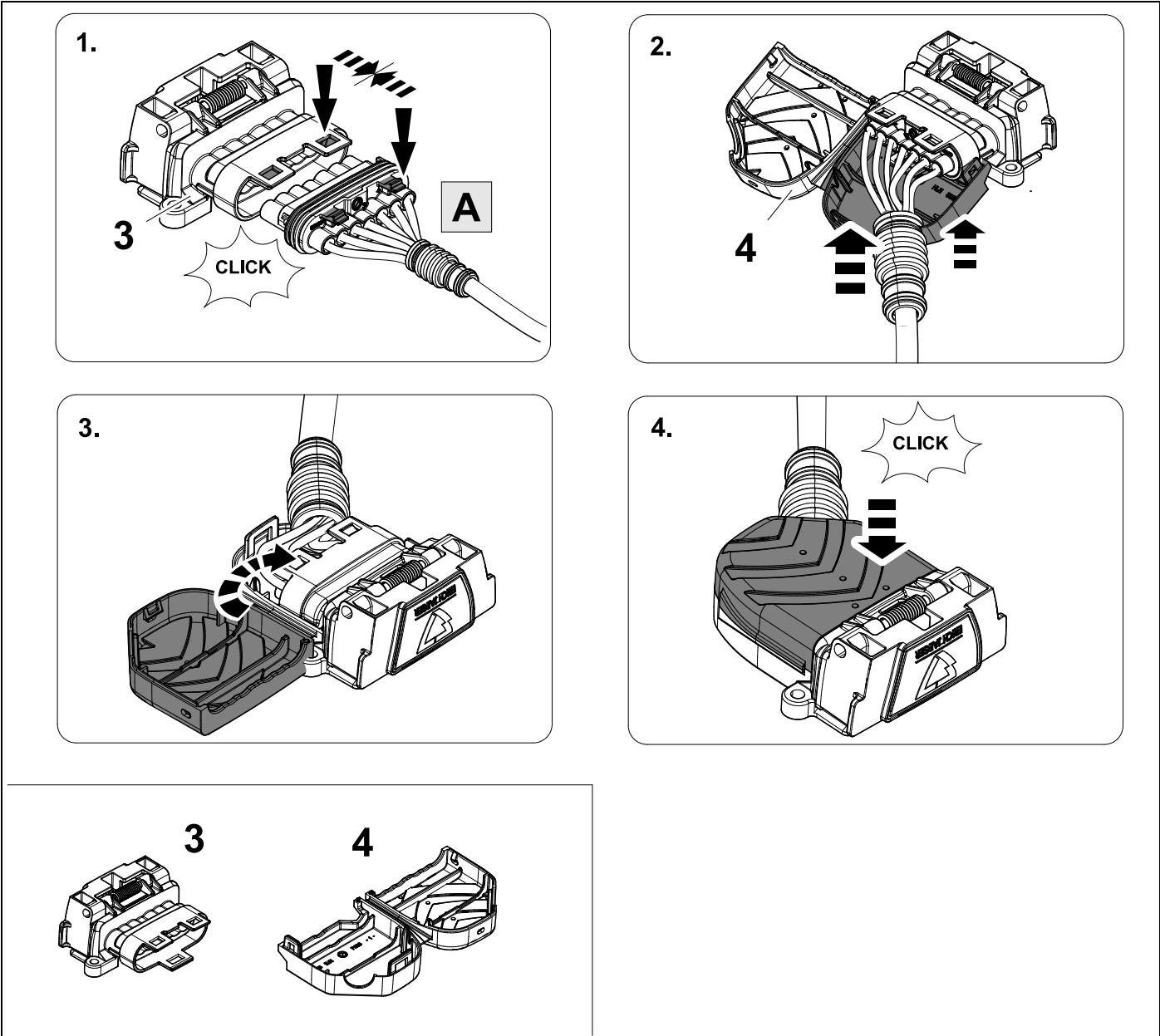
20



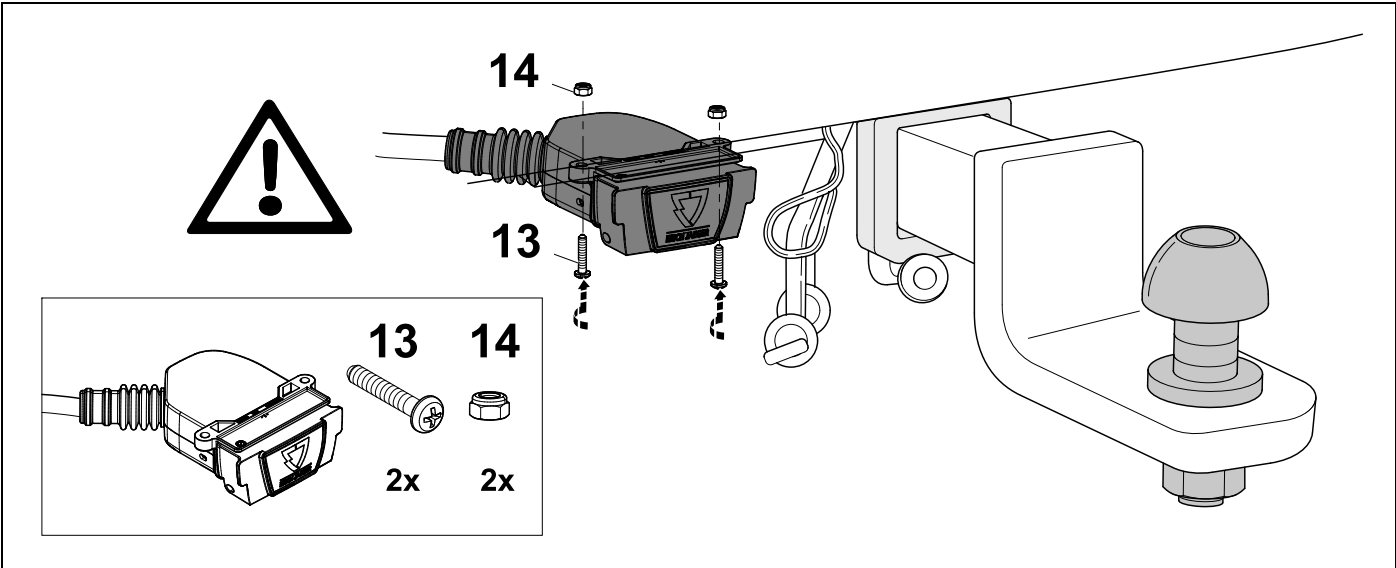
21



22



22



23



24

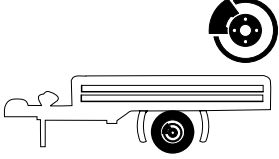
1	ye	
2	bk	
3	wh	
4	gn	
5	bu	
6	rd	
7	bn	

24	bk	wh	gy	gn	rd	bu	ye	bn	pu	or	no
----	----	----	----	----	----	----	----	----	----	----	----

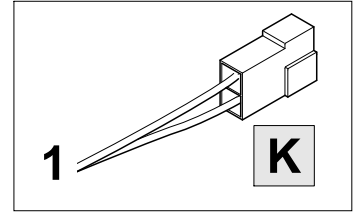
	black	white	grey	green	red	blue	yellow	brown	purple	orange	not occupied
--	-------	-------	------	-------	-----	------	--------	-------	--------	--------	--------------



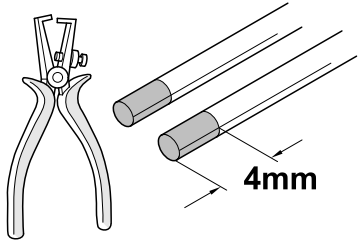
**BRAKE
CONTROLLER
PREPARED**



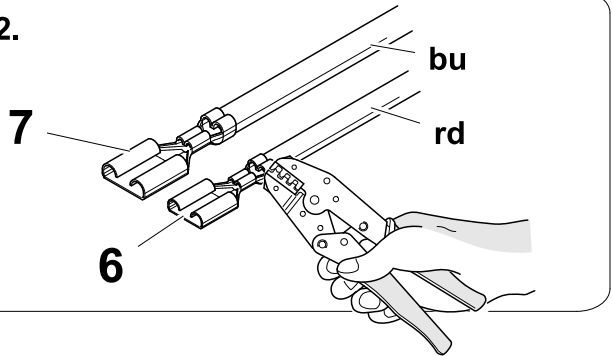
Trailer Brake Preparation



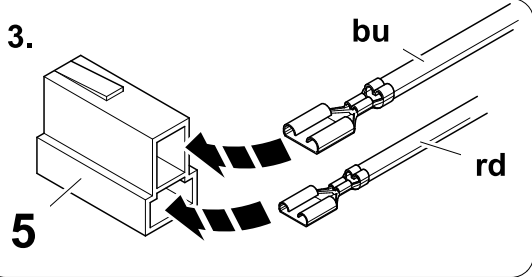
1.



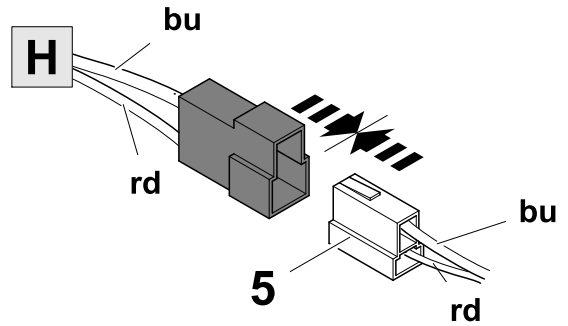
2.



3.



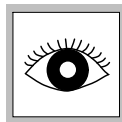
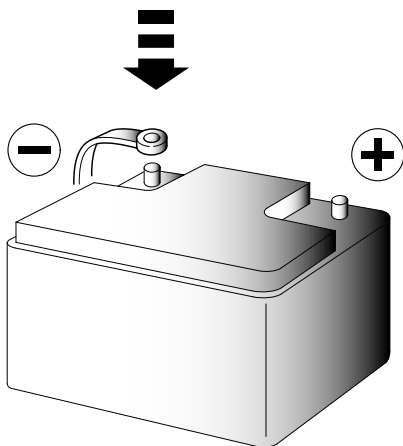
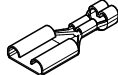
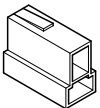
4.



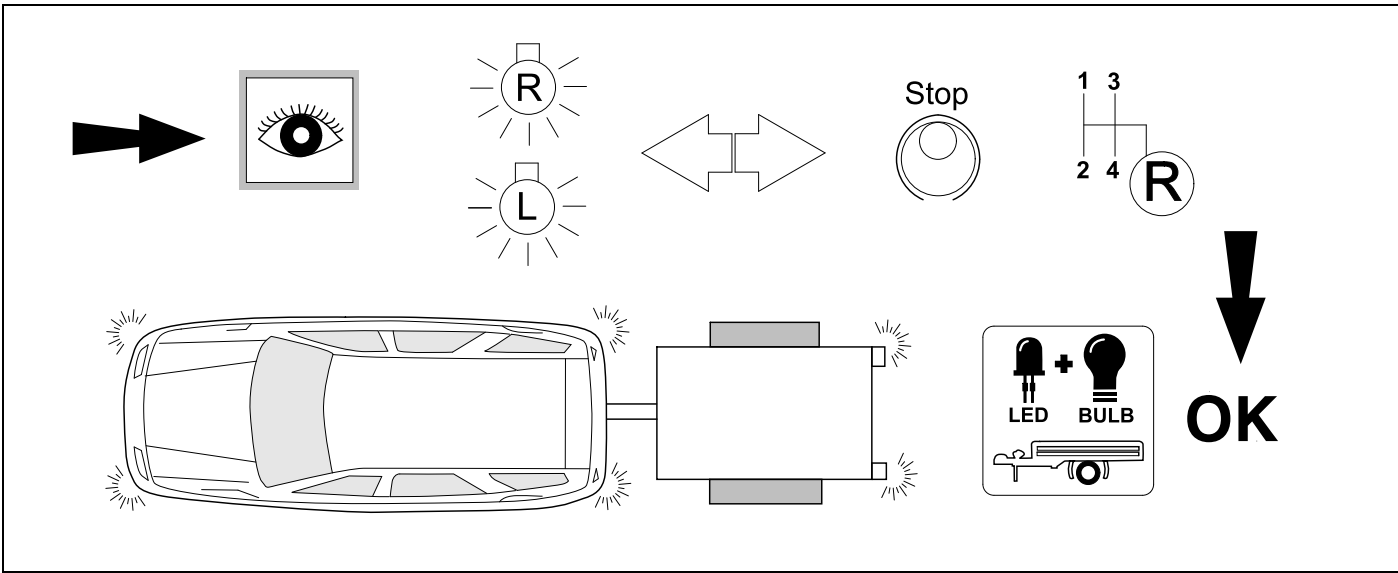
5

6

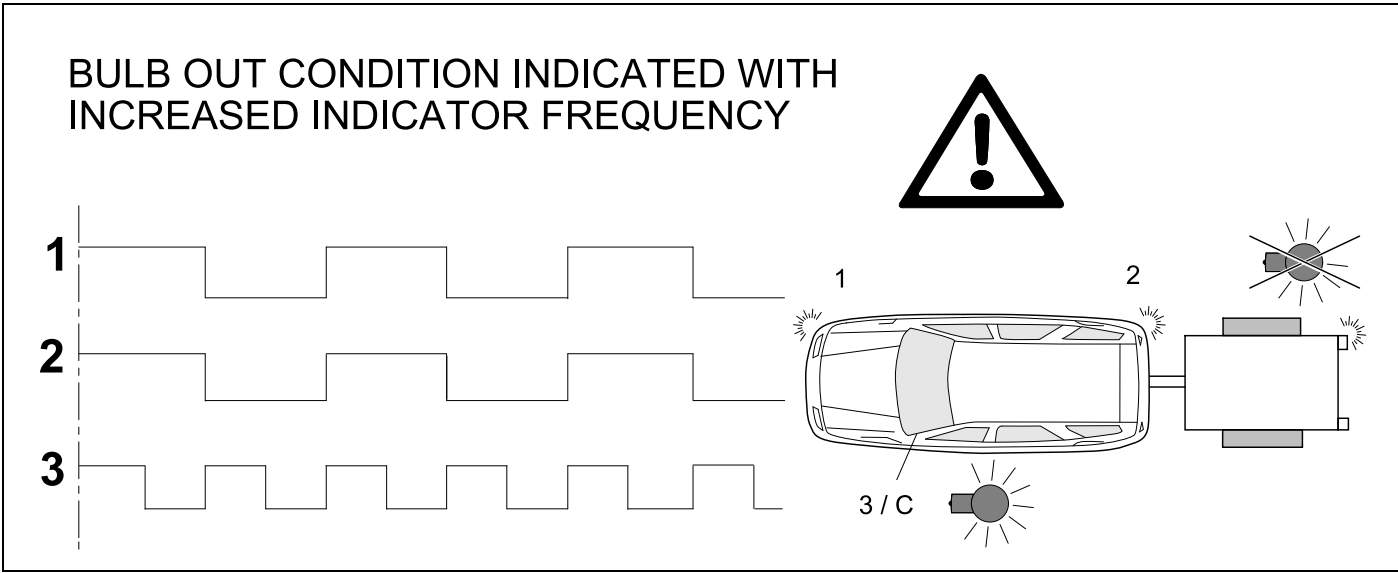
7



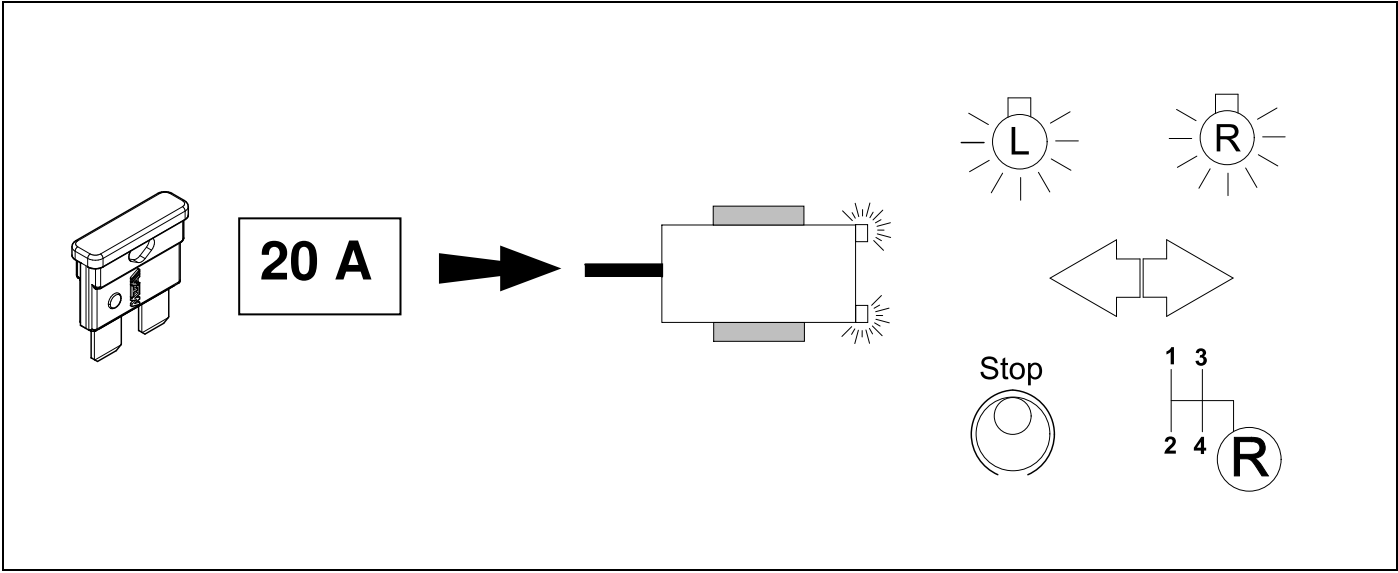
27 CHECK ALL LIGHTING FUNCTIONS



28 CHECK BULB OUT DETECTION

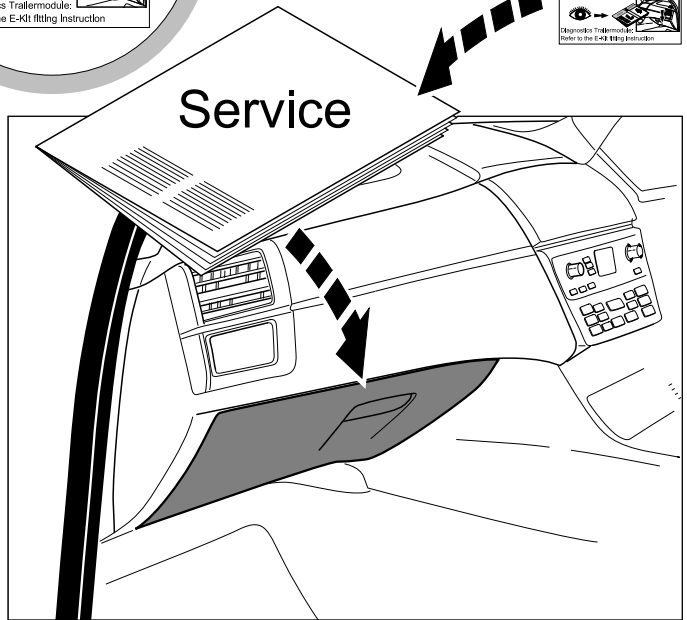
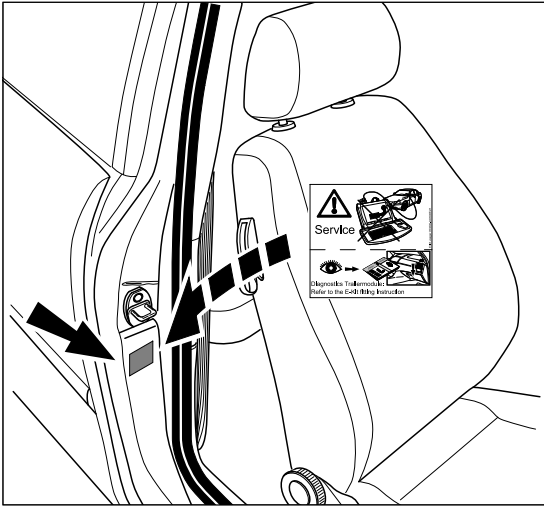
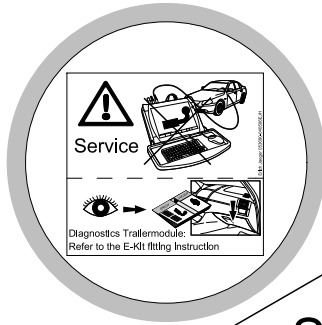


29 ⇒ **10**

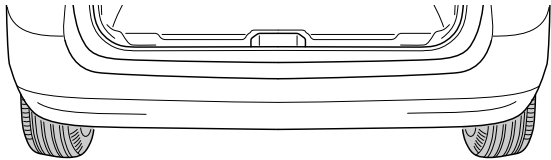
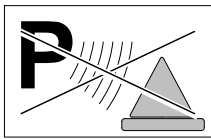
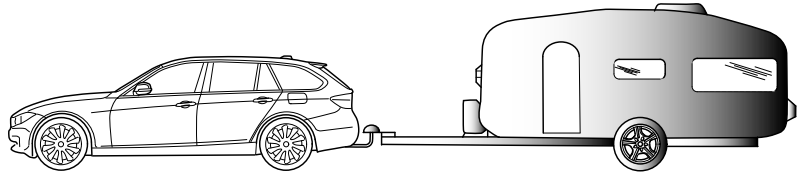
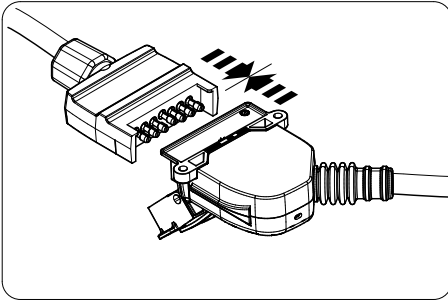




2x 9



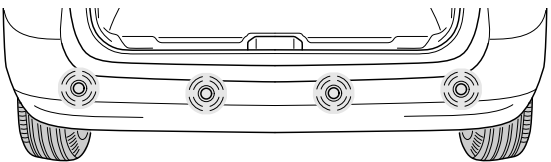
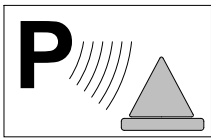
If the PDC does not automatically deactivate, coding and initialization of the module might be required.



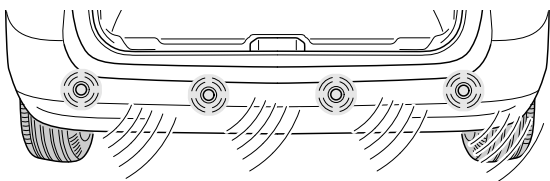
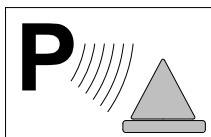
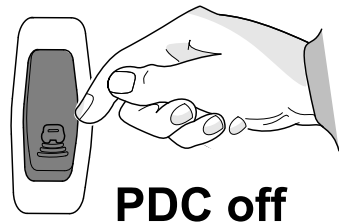
OPTION 1



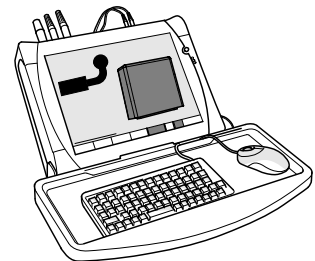
No Coding



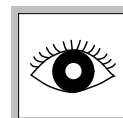
OPTION 2



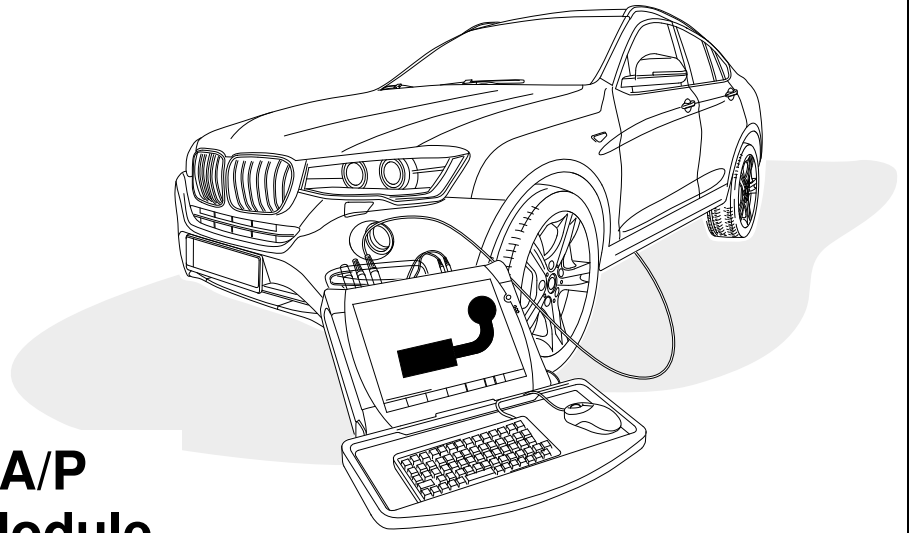
OPTION 3



BMW Service ISTA/P
Initialize Trailer Module



32



BMW Service ISTA/P Initialize Trailer Module

Please effect coding as follows:

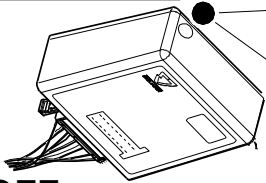
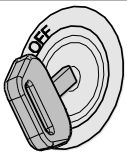


- Connect computer to vehicle
- Start ISTA/P
- Click "Modification / Upgrades"
- Scan Action plan
- Click „Coding (Ethernet)“
- Scan Action program follow-up
- Final report checking

After the effected connection, the rear park assist system will also automatically be deactivated in trailer operation!

Status LED for self-diagnosis

Operation Support



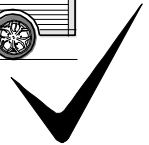
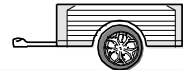
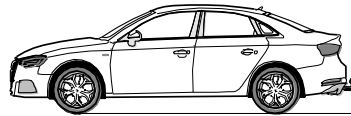
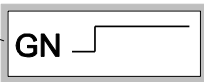
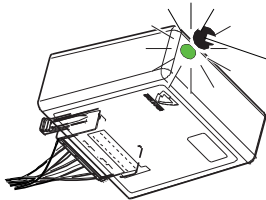
No CAN-Data =



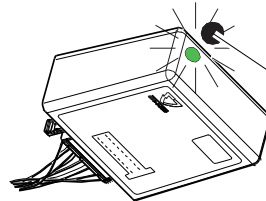
Standby / Sleepmode



Ignition OFF



Ignition ON



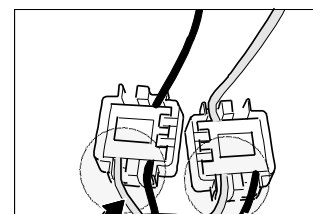
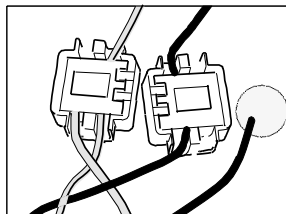
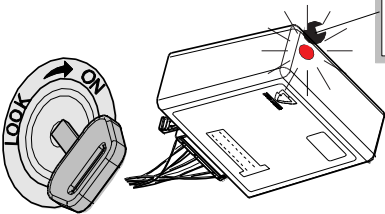
Ignition ON

Failure Support

CAN-Data Wire

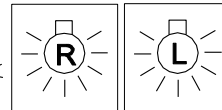


1x max. 5 min.

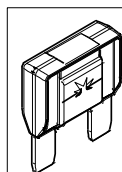
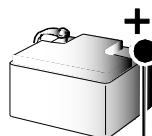
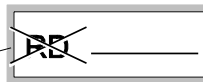
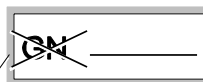
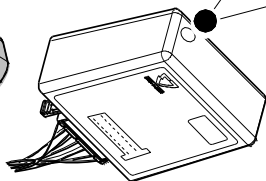


Ignition ON

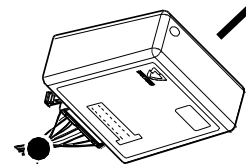
Failure indicated by the module LED glowing red for a maximum of 5 minutes. If trailer connected the tail lights will also glow indicating failure of CAN signal.

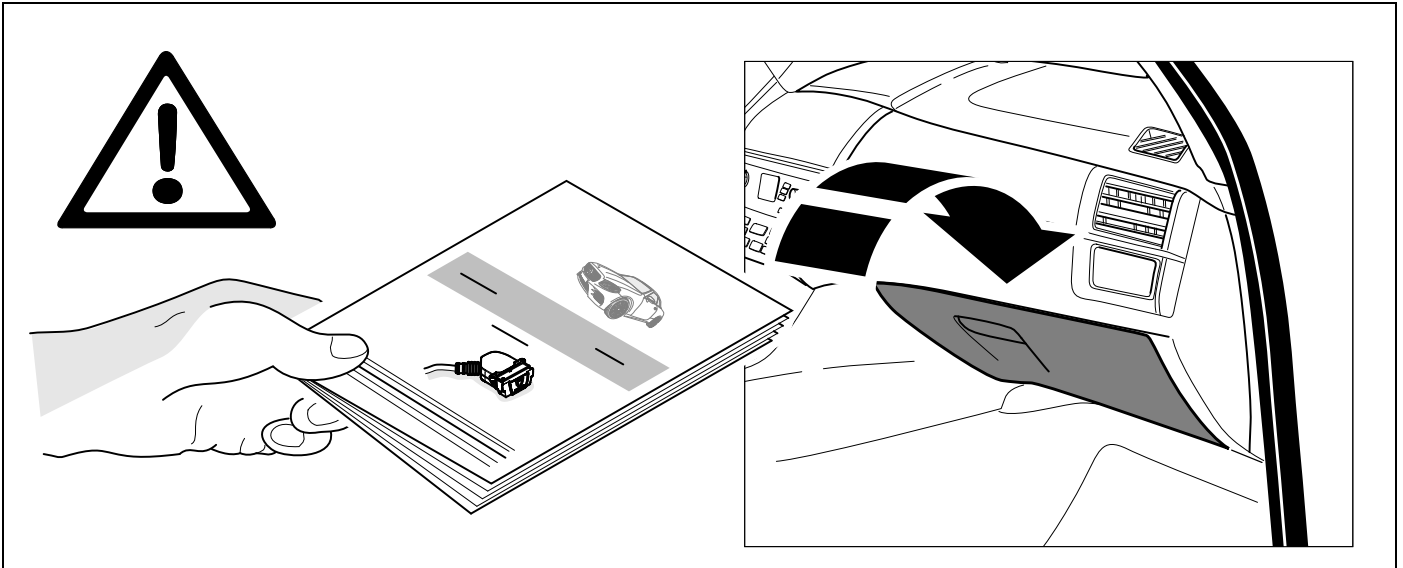


Ignition ON



or





Subject to change in terms of construction, equipment and colour, and may contain errors.
The information and illustrations are non-binding.