



INSTALLATION INSTRUCTIONS

1894 - TO SUIT BMW E46 3 SERIES

SEDAN 8/98 – 4/05 & TOURING WAGON 8/98-ON

PLEASE READ INSTRUCTIONS THROUGH BEFORE YOU BEGIN

WARNING : 1. Do not drill, cut weld or otherwise modify the towbar.
2. If you are using electric welding on a motor vehicle, always check that the vehicle is not equipped with electronic engine or instrument management equipment. Failure to do so could destroy any onboard computers. If in doubt, check with the vehicle's manufacturer.

Max. Towing Weight: 1600kg

1. Ensure all hardware items have been included.
2. Remove floor mat.
3. Remove rear left and right trim panels.
4. Remove rear bumper and impact dampers.
5. Remove protective film from gaskets and glue to struts.
6. Insert studs into left and right frame side members of vehicle and position reinforcement plates from inside boot area and bolt them loosely to the body using M10x45 bolts, spring washers and loose plates.
7. Cut bumper using sketch provided.
8. Fit towbar to bumper using original damper bolts.
9. Refit bumper to vehicle, align it and tighten to torque listing tightening rear panel nuts first then bolts.
10. Refit interior trim.
11. Tighten all bolts to torque listing below.
12. Towbar rating sticker to be conspicuously located on inside rear end of the driver's door. (see diagram below)

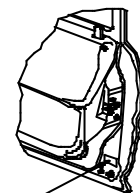
NOTE: Hayman Reese recommends that you check your towball to ensure it complies to Australian Design Rules.

RECOMMENDED ASSEMBLY TORQUE LISTING

<u>Diameter</u>	<u>Grade 8.8 Bolt</u>
	Nm
M6	9.5
M8	21.7
M10	43.4
M12	77.3
M14	121.0
M16	189.8

FOR TOWING PURPOSES ONLY

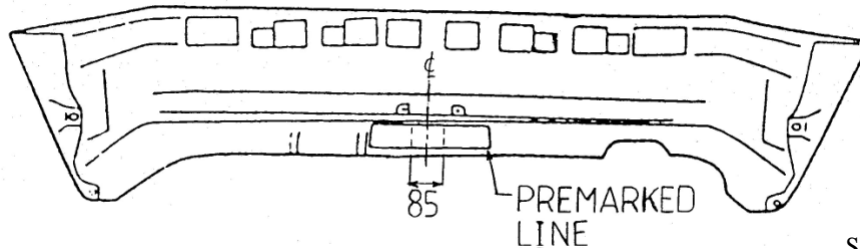
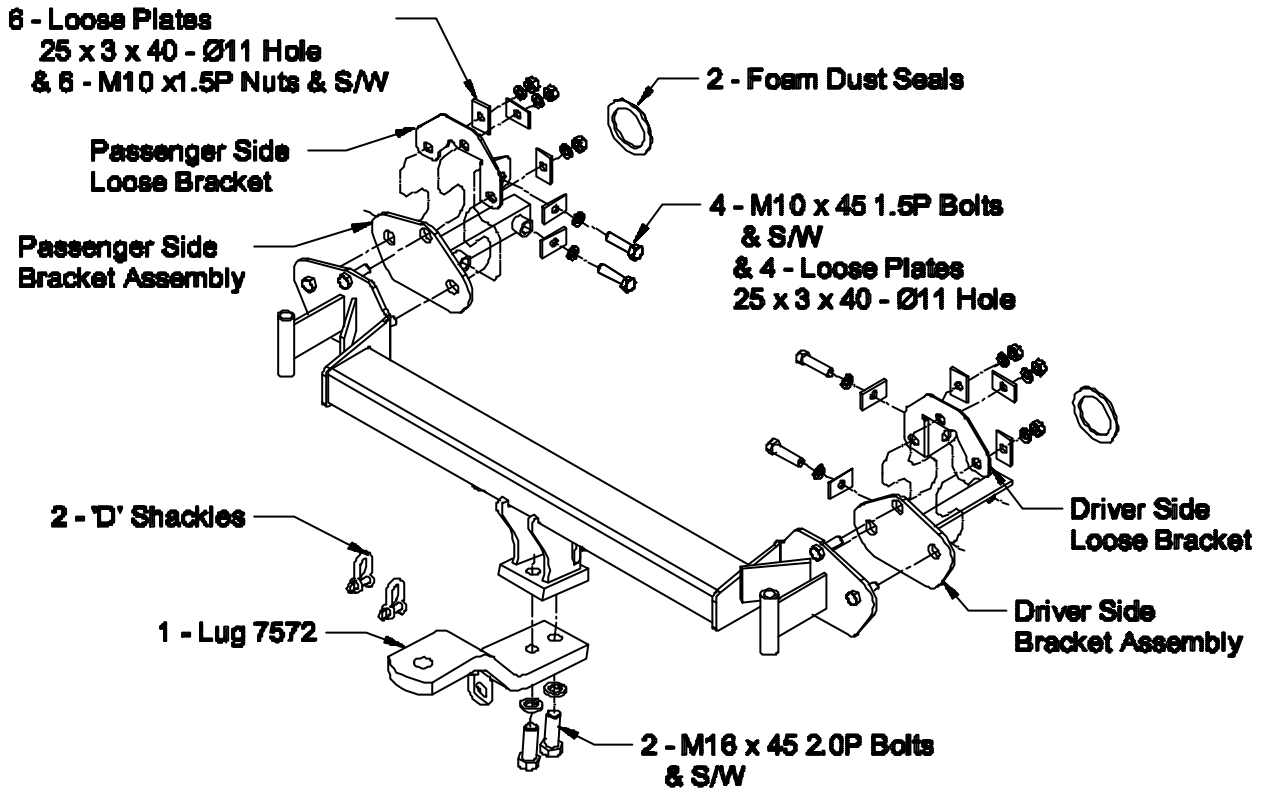
For towing capacity details please refer to vehicle owner's manual or to the manufacturer. Overloading can void your warranties.



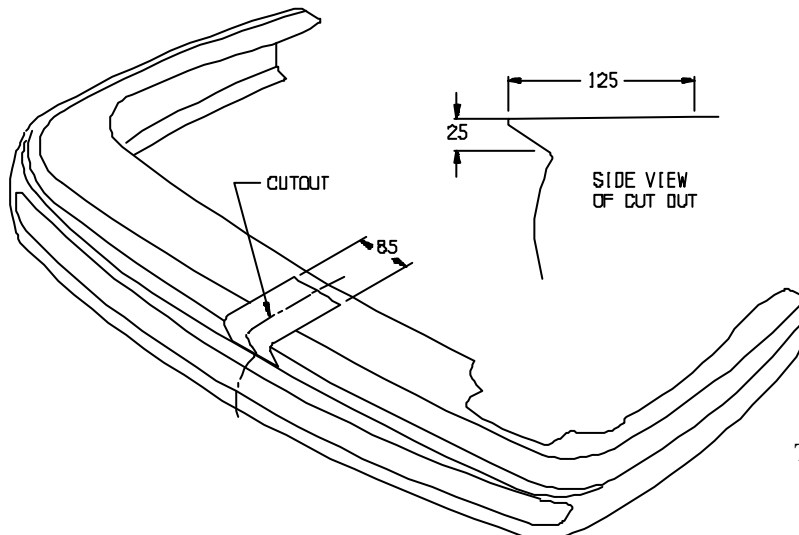
POSITION OF TOWBAR RATING STICKER

PLEASE NOTE: You must remove the lug unless you are actually towing if it obscures your number plate. Failure to do so may result in a fine.

1894 - TO SUIT BMW E46 3 SERIES SEDAN 8/98-ON



SEDAN - COMPACT



TOURING - WAGON